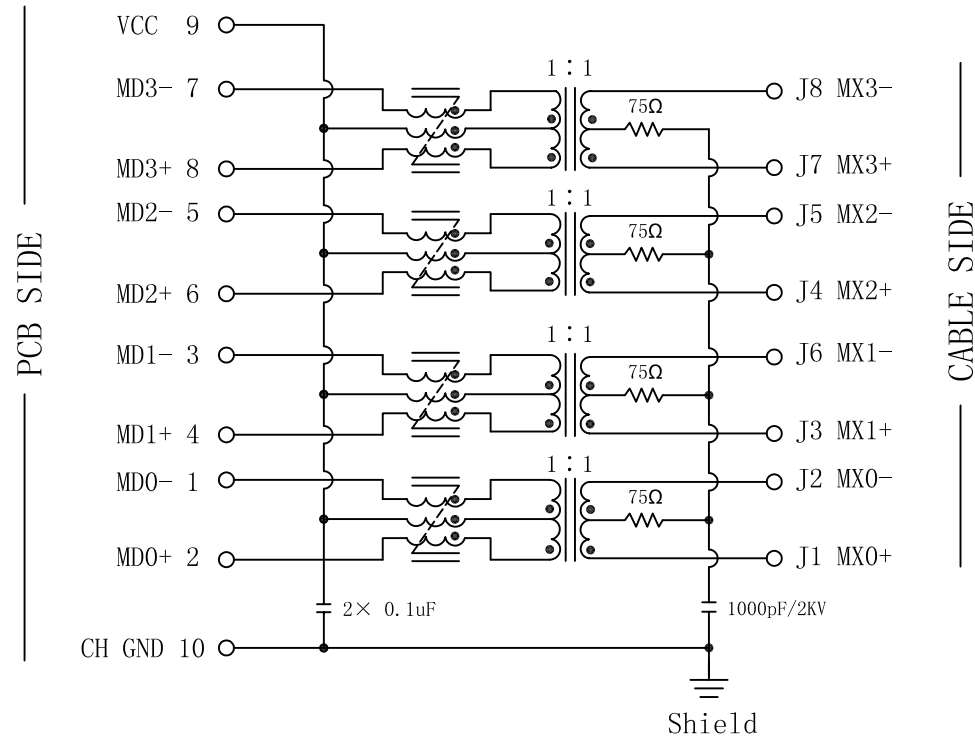


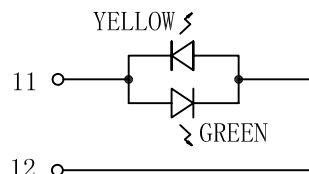
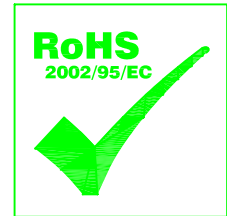
Schematic:

REV.	ECN NO.	DESCRIPTION	DATE	APPD
A	REL		2011/05/21	



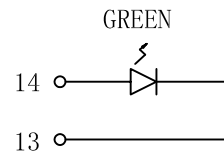
Electrical Specifications @25°C

- OCL (@100KHz, 100mV, 8mA DC Bias):
350uH min
- Turns Ratio: 1CT : 1CT ±2%
- Insertion Loss:
100KHz: -1.2dB Max
1~100MHz: -0.8dB Max
125MHz: -3.0dB Max
- Return Loss (@100Ω ±15%):
0.1~40MHz: -16dB Min
40~100MHz: -[10+20Log(f/80MHz)]dB Min
- Crosstalk (dB Min):
1MHz: -50
10~100MHz: -[52+22Log(f/10)]
- Common Mode Rejection Ratio:
2MHz: -50dB Min
30~200MHz: -[15+20Log(f/200)]dB Min
- Hi-Pot: 1500Vrms @60Hz
- Operating Temperature: 0°C ~70°C.



LEFT LED

LED POLARITY		COLOR
PIN 11	PIN 12	
+	-	GREEN
-	+	YELLOW



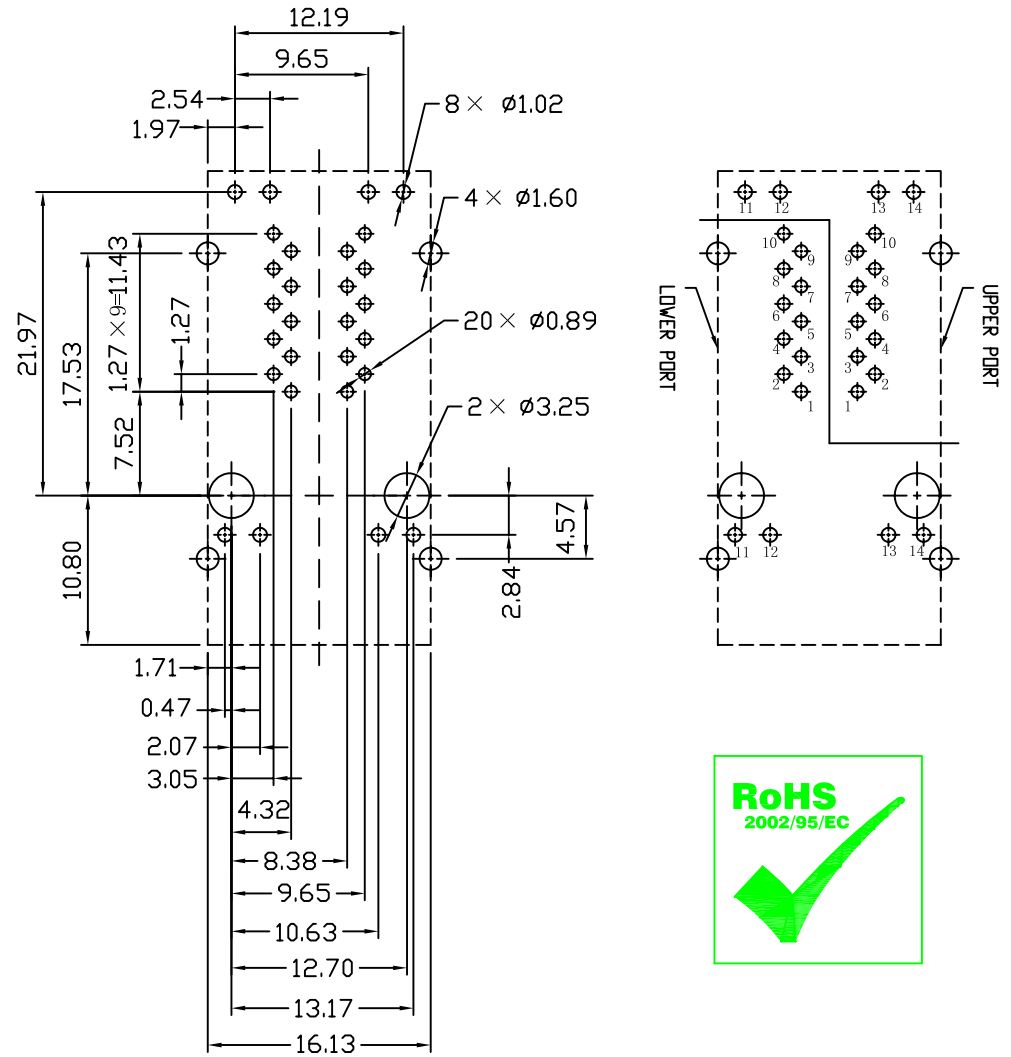
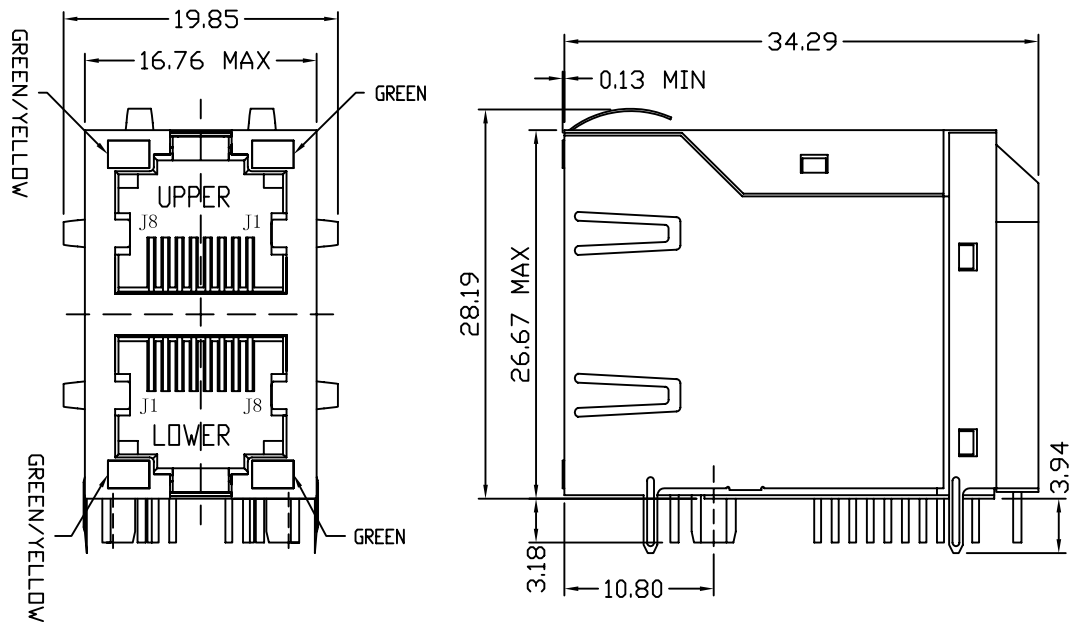
RIGHT LED

LED POLARITY		COLOR
PIN 13	PIN 14	
-	+	GREEN

X:X ±0.30	APPD:	LINK-PP INT'L TECHNOLOGY CO., LIMITED
X:XX ±0.20	CHKD:	
X:XXX ±0.05	DR: TOM	TITLE: RJ45 Connector With 1000 Base-T Integrated Magnetics
ANGLES ±1°	UNIT: mm	PART NO.: LPJG17747A83NL
	SCALE: 2/1	SHEET: 1/2
	REV: A	DWG NO.: TRC11052102

Mechanical:

REV.	ECN NO.	DESCRIPTION	DATE	APPD
A	REL		2011/05/21	



SUGGESTED PCB LAYOUT(TOP VIEW)



NOTES:

1. Designed to support application, such as SOHO (ADSL modems), LAN-on-Motherboard (LOM), hub and Switches.
2. Meets IEEE 802.3 specification
3. Connector Materials:
Housing: Thermoplastic UL94V-0
Contact/Shield: Copper alloy
Shield plating: Nickel
Contact plating: Gold 6 micro-inches min. In contact area.
4. Wave solder tip temperature: 265°C Max
Wave solder tip temperature time: 5 Sec Max

X:X ±0.30	APPD:	LINK-PP INT'L TECHNOLOGY CO., LIMITED		
X:XX ±0.20	CHKD:	TITLE: RJ45 Connector With 1000 Base-T Integrated Magnetics		
X:XXX ±0.05	DR: TOM	PART NO.: LPJG17747A83NL		
ANGLES ±1°	UNIT: mm			
	SCALE: 2/1	SHEET: 2/2	REV: A	DWG NO.: TRC11052102