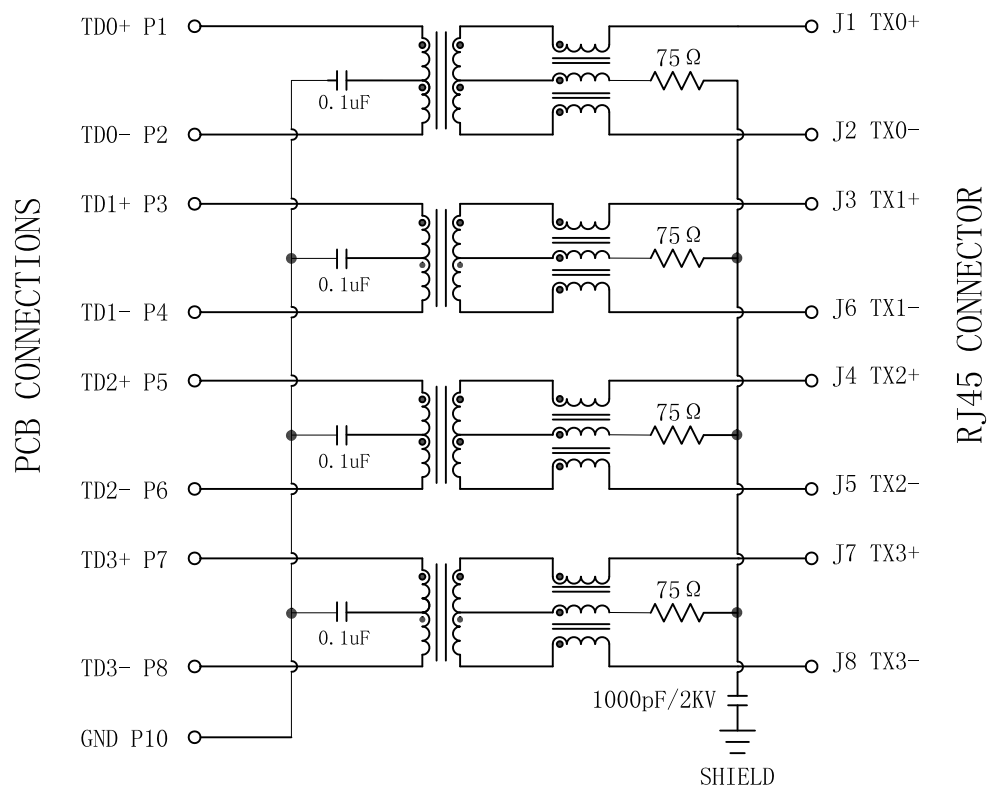


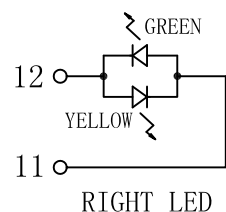
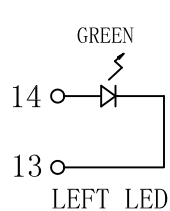
Schematic:

REV.	ECN NO.	DESCRIPTION	DATE	APPD
A	REL		2021-04-12	



Electrical Specifications @25°C

- Turns Ratio:
PRI:SEC = 1CT:1CT ±2%
- OCL:
350uH MIN @100KHz, 100mV, 8mADC
- Insertion Loss:
1~100MHz: -1.0dB MAX
- Return Loss (dB MIN):
1~30MHz: -18 30~60MHz: -14
60~80MHz: -12
- Crosstalk (dB TYP):
1~30MHz: -40 30~60MHz: -35
60~80MHz: -30
- Differential to Common Mode Rejection:
1~50MHz: -30dB TYP
50~150MHz: -20dB TYP
- CMRR:
1~100MHz: -30dB MIN
- Isolation: 1500Vrms MIN
- Operating Temperature Range: -40°C ~ +85°C.

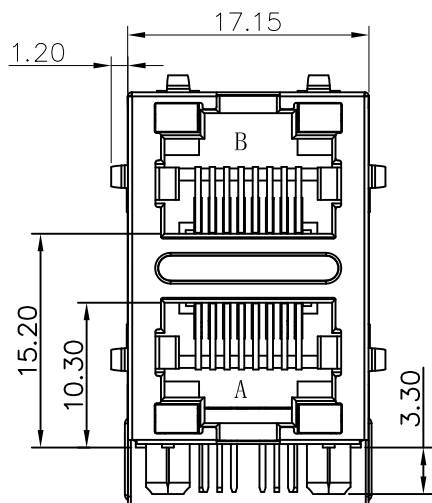


Emitting Color	λp(nm)	Vf@I=20mA	IR @Vr=5V
GREEN	565	1.8~2.6V	10 μA max
YELLOW	585	1.8~2.6V	10 μA max

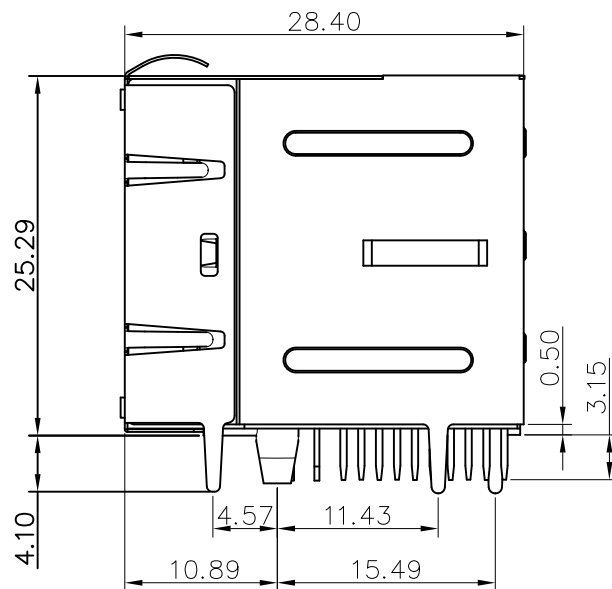
X:X	±0.30	APPD:	LINK-PP INT'L TECHNOLOGY CO., LIMITED	
X:XX	±0.25	CHKD:	TITLE: RJ45 2×1 w/Transformer 1000 Base-T w/LED	
X:XXX	±0.05	DR: TOM	PART NO.: LPJG17664A92NL	
ANGLES	±1°	UNIT: mm	PART NO.: LPJG17664A92NL	
	SCALE: 2/1	SHEET: 1/3	REV: A	DWG NO.: LP2104122

Mechanical :

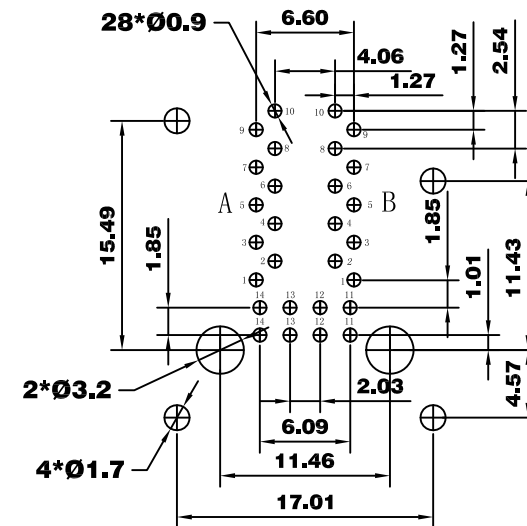
REV.	ECN NO.	DESCRIPTION	DATE	APPD
A	REL		2021-04-12	



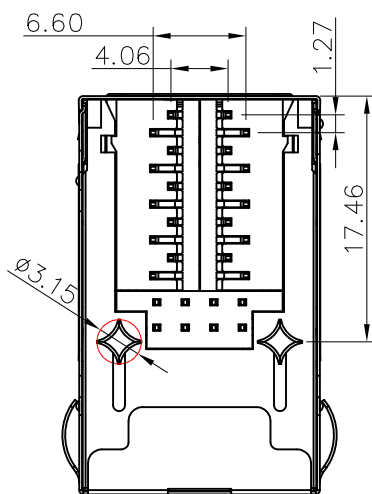
Front Side View



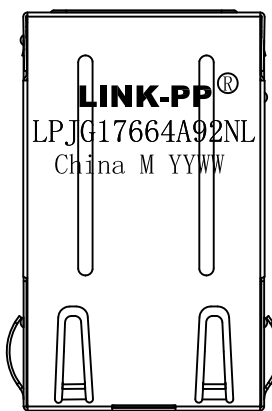
Left Side View



Suggested PCB Layout (Top View)



Bottom Side View



Top Side View

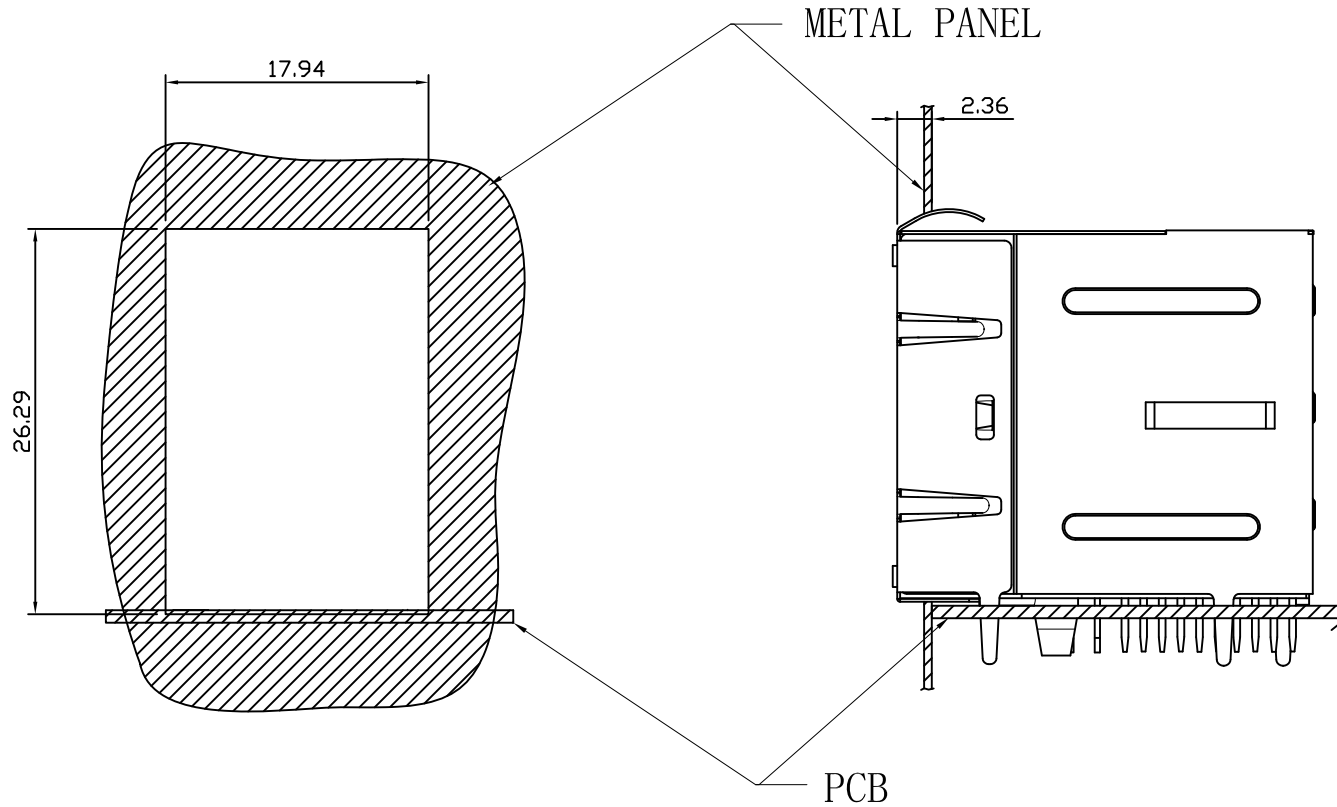
NOTES:

1. Designed to support application, such as SOHO (ADSL modems), LAN-on-Motherboard (LOM), hub and Switches.
2. Meets IEEE 802.3 specification
3. Connector Materials:
 Housing Material: Thermoplastic PBT+30%G. F UL94V-0
 Contact Material: Phosphor Bronze C5210R-EH Thickness=0.35mm
 Pins: Brass C2680R-H Thickness=0.35mm
 Shield: Copper alloy Brass H65Y Thickness=0.20mm
 Shield plating: Nickel
 Contact plating: Gold 6 micro-inches min. In contact area.
4. Wave solder tip temperature: 250°C, 5 Sec.
5. UL Certification: File Number E484635.

X:X	±0.30	APPD:	LINK-PP INT'L TECHNOLOGY CO., LIMITED	
X:XX	±0.25	CHKD:		
X:XXX	±0.05	DR: TOM	TITLE: RJ45 2×1 w/Transformer 1000 Base-T w/LED	
ANGLES	±1°	UNIT: mm	PART NO.: LPJG17664A92NL	
	SCALE: 2/1	SHEET: 2/3	REV: A	DWG NO.: LP2104122

Suggested Panel Opening

REV.	ECN NO.	DESCRIPTION	DATE	APPD
A	REL		2020. 10. 18	



NOTE:

The distance of panel inside surface relative to front surface of part is only A suggestion. In case this distance is different, The required panel opening dimensions change accordingly.



X:X	±0.30	APPD:	LINK-PP INT'L TECHNOLOGY CO., LIMITED	
X:XX	±0.25	CHKD:	TITLE: 2*1 RJ45 Connector with 1000 Base-T Integrated Magnetics	
X:XXX	±0.05	DR: TOM	PART NO. : LPJG17664A92NL	
ANGLES	±1°	UNIT: mm	DWG NO. : LP2104122	
	SCALE: 2/1	SHEET: 3/3	REV: A	