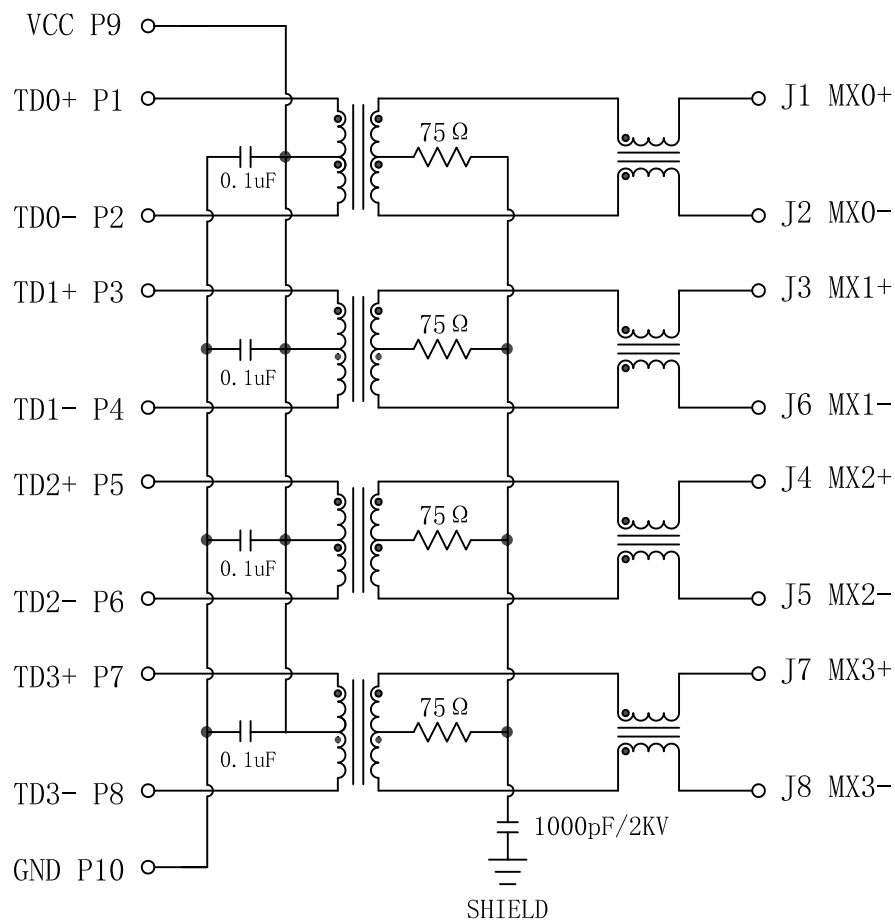


# Schematic:

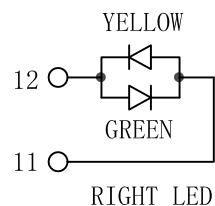
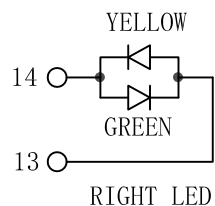
REV.	ECN NO.	DESCRIPTION	DATE	APPD
A	REL		2011/09/03	



## Electrical Specifications @25°C

- Turns Ratio:  
PRI:SEC = 1CT:1CT ±2%
- OCL:  
350uH MIN @ 100KHz, 100mV, 8mADC
- Insertion Loss:  
1~100MHz:-1.0dB MAX
- Return Loss(dB MIN):  
1~30MHz:-18      30~60MHz:-14  
60~80MHz:-12
- Crosstalk(dB TYP):  
1~30MHz:-40      30~60MHz:-35  
60~80MHz:-30
- Differential to Common Mode Rejection:  
1~50MHz: -30dB TYP  
50~150MHz: -20dB TYP
- CMRR: 1~100MHz:-30dB MIN
- Isolation: 1500Vrms MIN
- Operating Temperature Range: 0°C~70°C.

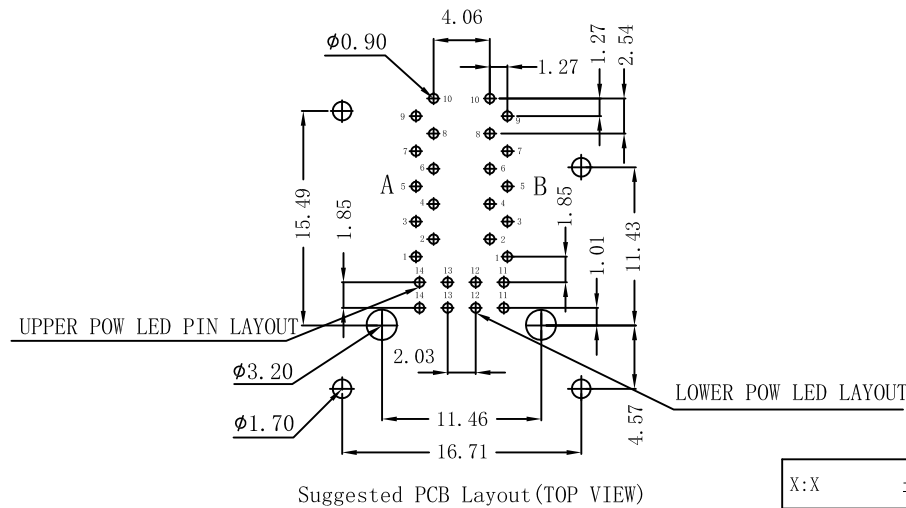
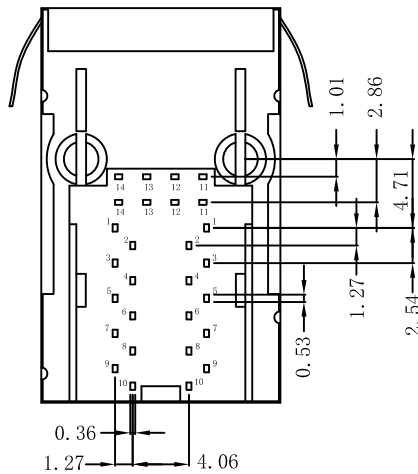
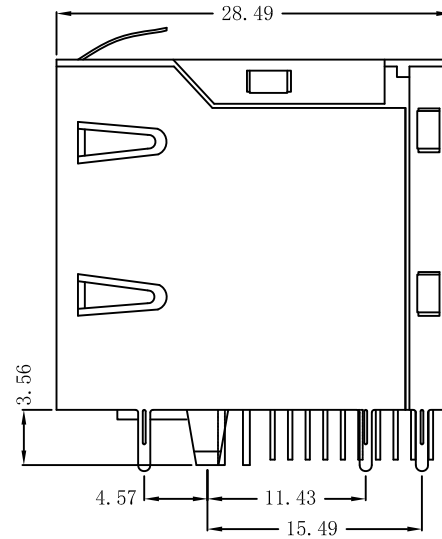
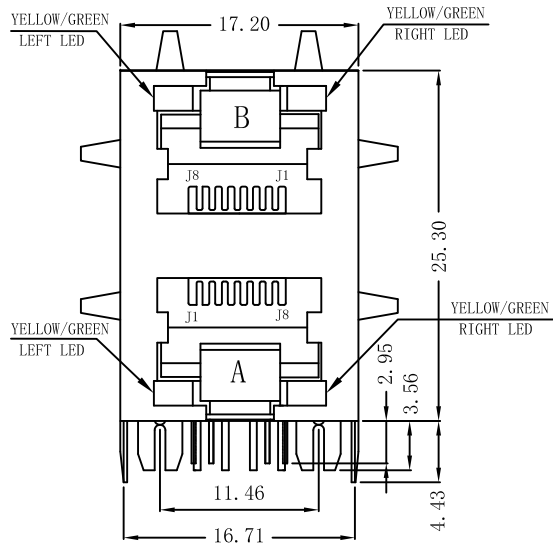
Emitting Color	λ p(nm)	VF@IF=20mA	IR @VR=5V
Green	570	1.8-2.6V	10 μ A max
Yellow	590	1.8-2.6V	10 μ A max



X:X	±0.25	APPD:	LINK-PP INT'L TECHNOLOGY CO., LIMITED	
X:XX	±0.20	CHKD:	TITLE: RJ45 Transformer & 2×1. 1000 Base-T W/LED	
X:XXX	±0.05	DR: TOM	PART NO.: LPJG17561A47NL	
ANGLES	±1°	UNIT: mm	DWG NO.: LP11090301	
	SCALE: 2/1	SHEET: 1/2	REV: A	

# Mechanical :

REV.	ECN NO.	DESCRIPTION	DATE	APPD
A	REL		2011/09/03	



## NOTES:

1. Designed to support application, such as SOHO (ADSL modems), LAN-on-Motherboard (LOM), hub and Switches.
2. Meets IEEE 802.3 specification
3. Connector Materials:  
Housing: Thermoplastic UL94V-0  
Contact/Shield: Copper alloy  
Shield plating: Nickel  
Contact plating: Gold 6 micro-inches min. In contact area.
4. Wave solder tip temperature: 265°C Max, 5 Sec Max.



X:X	±0.25	APPD:	LINK-PP INT'L TECHNOLOGY CO., LIMITED	
X:XX	±0.20	CHKD:	TITLE: RJ45 Transformer & 2×1. 1000 Base-T W/LED	
X:XXX	±0.05	DR: TOM	PART NO.: LPJG17561A47NL	
ANGLES	±1°	UNIT: mm		
	SCALE: 2/1	SHEET: 2/2	REV: A	DWG NO.: LP11090301