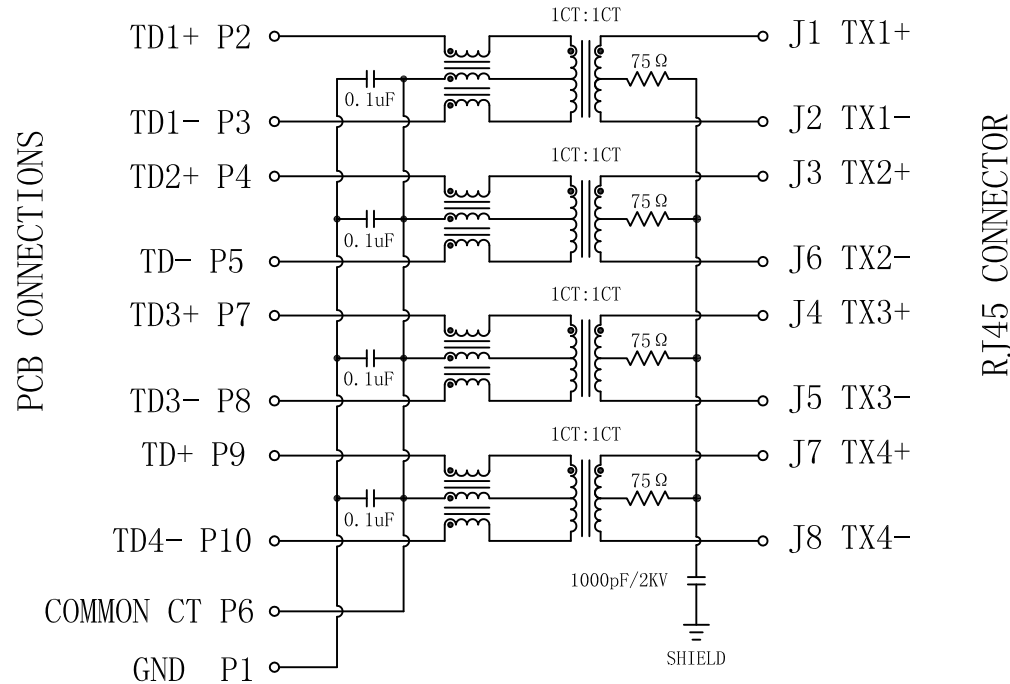


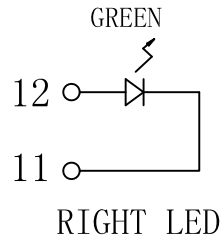
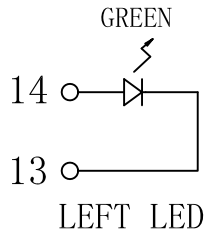
Schematic:

REV.	ECN NO.	DESCRIPTION	DATE	APPD
A	REL		2008/07/09	



Electrical Specifications:

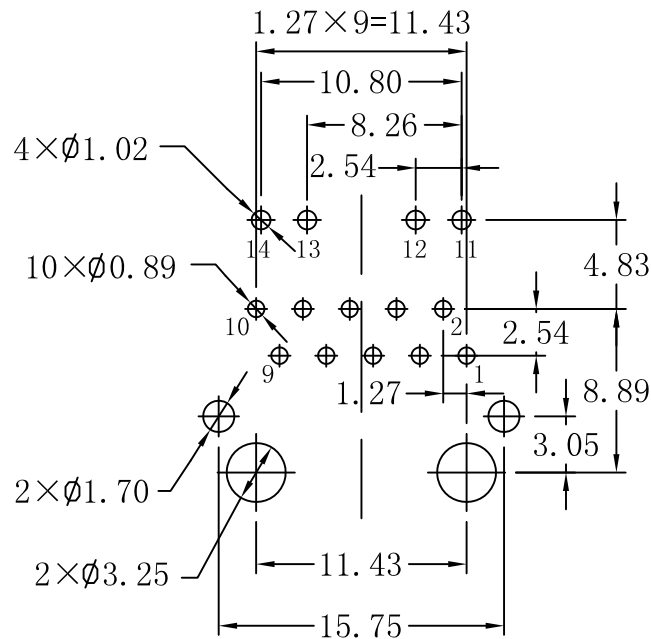
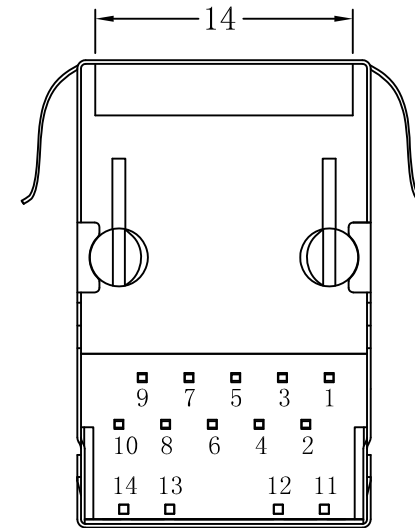
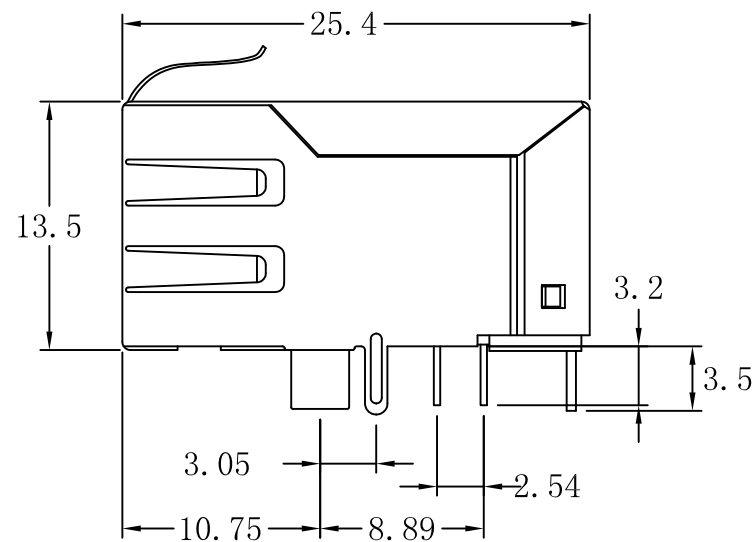
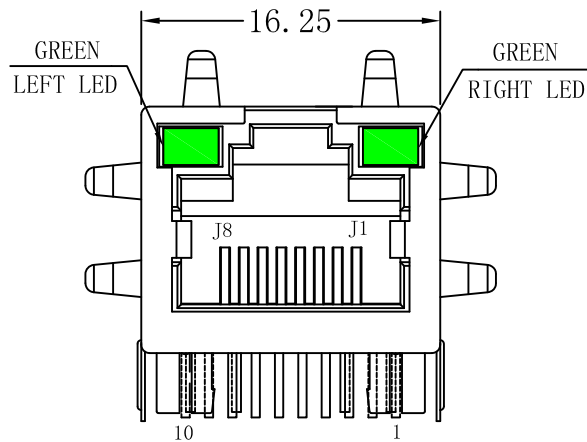
- Turns Ratio ($\pm 2\%$):
1CT:1CT
- Inductance: 350uH Min
@100KHz, 0.1V, 8mA DC BIAS
- Insertion Loss:
0.1-100MHz: -1.2dB Max
- Return Loss (dB Min):
0.5-40MHz: -18
40-100MHz: -12+20LOG(f/80MHz)
- Cross Talk (dB Min):
1-30MHz: -35 30-80MHz: -24
80-100MHz: -25
- CM TO CM REJECTION:
0.1-100MHz: -30dB Min
- CM TO DM Rejection:
0.1-100MHz: -35dB MIN
- Hipot: 1500Vrms.
- Operating Temperature: -40°C ~ +85°C



X:X	± 0.25	APPD:	LINK-PP INT'L TECHNOLOGY CO., LIMITED	
X:XX	± 0.20	CHKD:	TITLE: RJ45 Connector with 1000 Base-T Integrated Magnetics	
X:XXX	± 0.05	DR: TOM	PART NO.: LPJG17432AWN	
ANGLES	$\pm 1^\circ$	UNIT: mm		
	SCALE: 2/1	SHEET: 1/2	REV: A	DWG NO.: LP08070920

Mechanical:

REV.	ECN NO.	DESCRIPTION	DATE	APPD
A	REL		2008/07/09	



SUGGESTED PCB LAYOUT(TOP VIEW)

NOTES:

1. Designed to support application, such as SOHO (ADSL modems), LAN-on-Motherboard (LOM), hub and Switches.
2. Meets IEEE 802.3 specification
3. Connector Materials:
 Housing: Thermoplastic UL94V-0
 Contact/Shield: Copper alloy
 Shield plating: Nickel
 Contact plating: Gold 6 micro-inches min. In contact area.
4. Reflow and wave solder compatible 260°C for 10 seconds Max.



X:X ±0.25	APPD:	LINK-PP INT'L TECHNOLOGY CO., LIMITED
X:XX ±0.20	CHKD:	
X:XXX ±0.05	DR: TOM	TITLE: RJ45 Connector with 1000 Base-T Integrated Magnetics
ANGLES ±1°	UNIT: mm	PART NO.: LPJG17432AWN
	SCALE: 2/1	SHEET: 2/2
	REV: A	DWG NO.: LP08070920