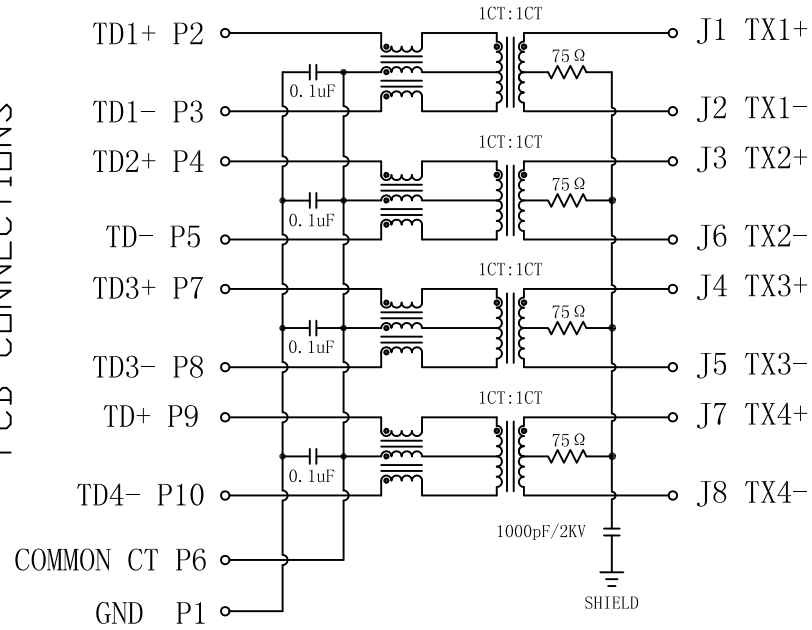


# Schematic:

REV.	ECN NO.	DESCRIPTION	DATE	APPD
A	REL		2014-10-06	

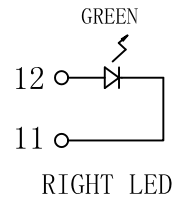
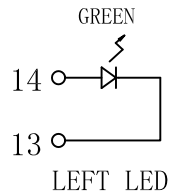
PCB CONNECTIONS



RJ45 CONNECTOR

## Electrical Specifications:

- Turns Ratio ( $\pm 2\%$ ):  
1CT:1CT
- Inductance: 350uH Min  
@100KHz, 0.1V, 8mA DC BIAS
- Insertion Loss:  
0.1-100MHz: -1.2dB Max
- Return Loss (dB Min):  
0.5-40MHz: -18  
40-100MHz: -12+20LOG(f/80MHz)
- Cross Talk (dB Min):  
1-30MHz: -35      30-80MHz: -24  
80-100MHz: -25
- CM TO CM REJECTION:  
0.1-100MHz: -30dB Min
- CM TO DM Rejection:  
0.1-100MHz: -35dB MIN
- Hipot: 1500Vrms.
- Operating Temperature: 0°C ~ 70°C

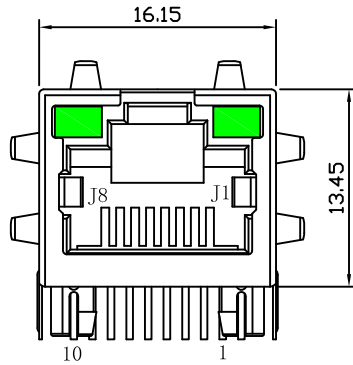


Emitting Color	$\lambda$ p(nm)	VF@IF=20mA	IR @VR=5V
Green	565	1.8~2.6V	10 $\mu$ A max

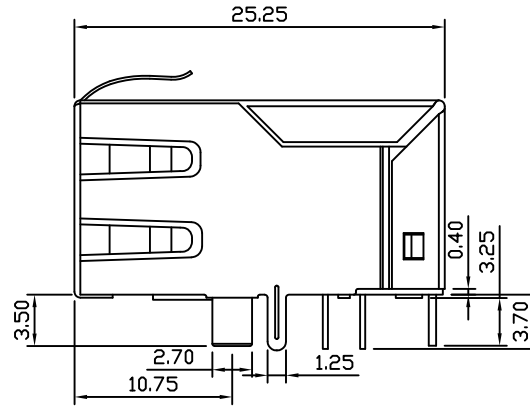
X:X	$\pm 0.30$	APPD:	LINK-PP INT'L TECHNOLOGY CO., LIMITED	
X:XX	$\pm 0.25$	CHKD:	TITLE: RJ45 Connector with 1000 Base-T Integrated Magnetics	
X:XXX	$\pm 0.05$	DR: TOM	PART NO.: LPJG17332AWN	
ANGLES	$\pm 1^\circ$	UNIT: mm	DWG NO.: TRC14100625	
	SCALE: 2/1	SHEET: 1/2	REV: A	

# Mechanical:

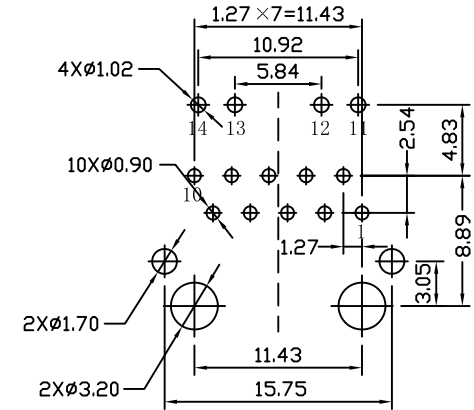
REV.	ECN NO.	DESCRIPTION	DATE	APPD
A	REL		2014-10-06	



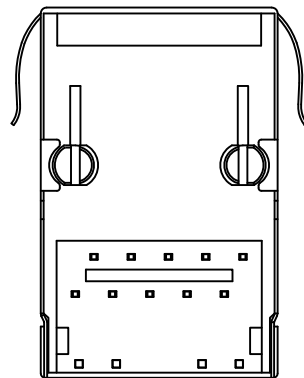
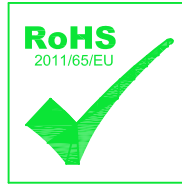
Front Side View



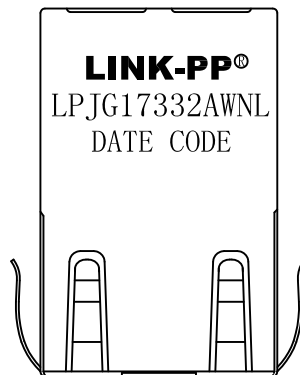
Left Side View



Suggested PCB Layout



Bottom Side View



Top Side View

## NOTES:

1. Designed to support application, such as SOHO (ADSL modems), LAN-on-Motherboard (LOM), hub and Switches.
2. Meets IEEE 802.3 specification
3. Connector Materials:  
 Housing: Thermoplastic PBT+30%G.F UL94V-0  
 Contact: Phosphor Bronze C5210R-EH Thickness=0.35mm  
 Pins: Brass C2680R-H Thickness=0.35mm  
 Shield: SUS 201-1/2H Thickness=0.2mm  
 Contact plating: Gold 6 micro-inches min. In contact area.
4. Wave solder tip temperature: 265°C Max, 5 Sec Max.

X:X ±0.30	APPD:	LINK-PP INT'L TECHNOLOGY CO., LIMITED
X:XX ±0.25	CHKD:	
X:XXX ±0.05	DR: TOM	TITLE: RJ45 Connector with 1000 Base-T Integrated Magnetics
ANGLES ±1°	UNIT: mm	PART NO.: LPJG17332AWN L
	SCALE: 2/1	SHEET: 2/2
	REV: A	DWG NO.: TRC14100625