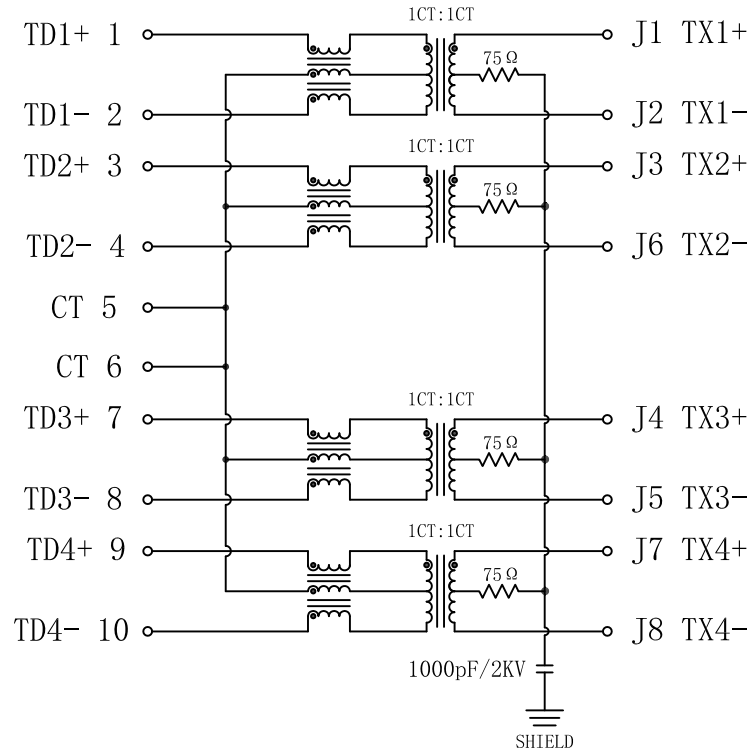


Schematic:

| REV. | ECN NO. | DESCRIPTION | DATE | APPD |
|------|---------|-------------|------------|------|
| A | REL | | 2016/07/20 | |

PCB CONNECTIONS

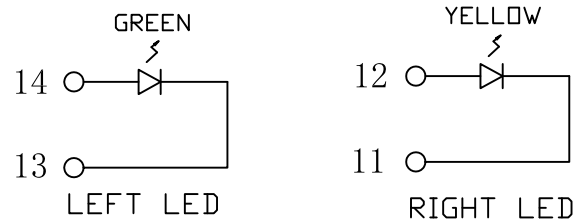


RJ45 CONNECTOR

Electrical Specification @25°C

- Turns Ratio ($\pm 2\%$) :
Pri:Sec = 1CT:1CT
- Insertion Loss:
1~100MHz: -1.2dB Max
- Return Loss:
0.5~40MHz: -18dB Min
40~100MHz: -12dB Min
- Crosstalk:
1~100MHz: -25dB Min
- CM TO CM REJECTION:
0.1~100MHz: -30dB Min
- CM TO DM REJECTION:
0.1~100MHz: -35dB Min
- OCL: 350uH MIN @100KHz, 100mVrms
- Hipot: 1500VAC, 60SEC
- Operating Temperature: 0°C ~ 70°C

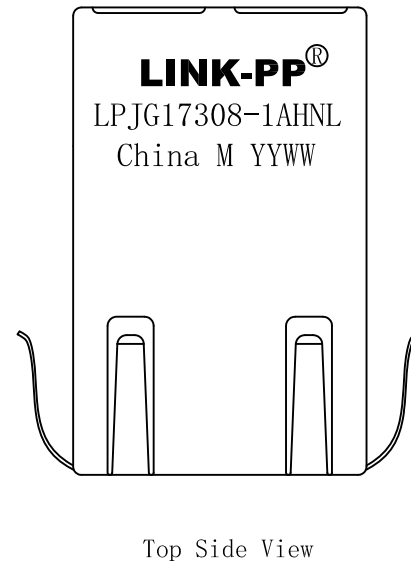
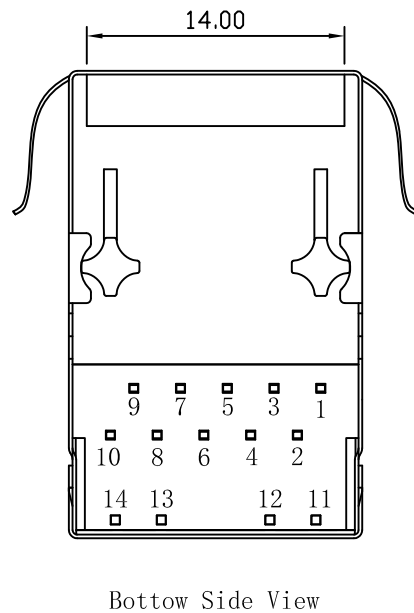
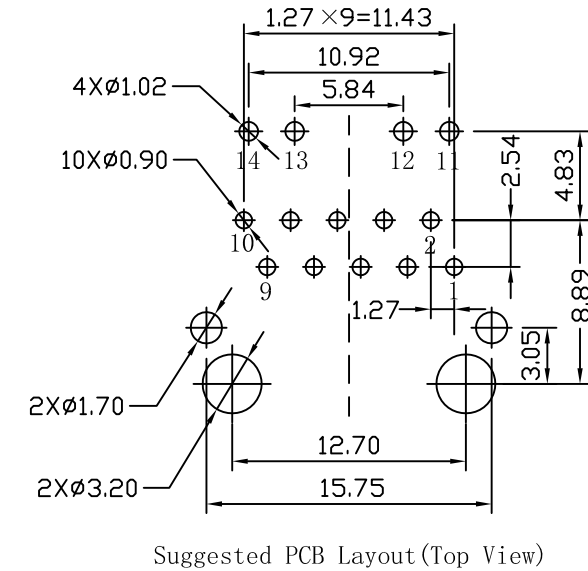
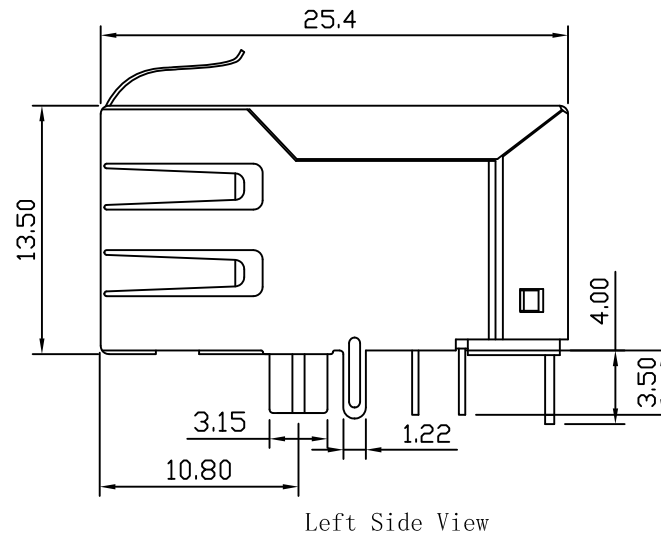
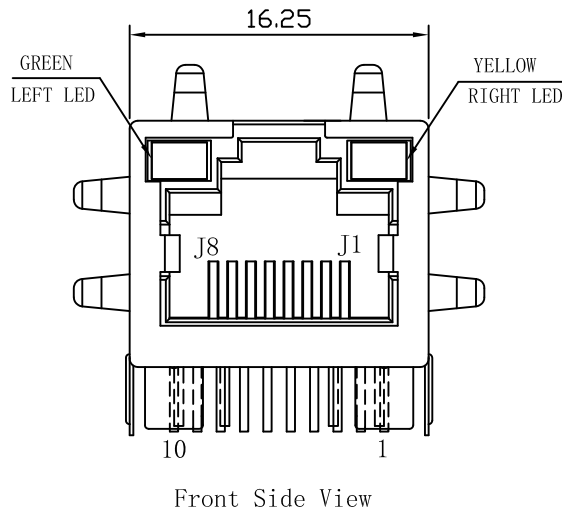
| Emitting Color | λ p(nm) | VF@IF=20mA | IR @VR=5V |
|----------------|-----------------|------------|----------------|
| GREEN | 565 | 1.8~2.6V | 10 μ A max |
| YELLOW | 585 | 1.8~2.6V | 10 μ A max |



| | | | | |
|--------|---------------|------------|---|----------------------|
| X:X | ± 0.25 | APPD: | LINK-PP INT'L TECHNOLOGY CO., LIMITED | |
| X:XX | ± 0.20 | CHKD: | TITLE: RJ45 Connector with 1000 Base-T Integrated Magnetics | |
| X:XXX | ± 0.05 | DR: TOM | | |
| ANGLES | $\pm 1^\circ$ | UNIT: mm | PART NO.: LPJG17308-1AHNL | |
| | SCALE: 2/1 | SHEET: 1/2 | REV: A | DWG NO.: LP116072042 |

Mechanical:

| REV. | ECN NO. | DESCRIPTION | DATE | APPD |
|------|---------|-------------|------------|------|
| A | REL | | 2016/07/20 | |



NOTES:

1. Designed to support application, such as SOHO (ADSL modems), LAN-on-Motherboard (LOM), hub and Switches.
2. Meets IEEE802.3 specification
3. Connector Materials:
 Housing: Thermoplastic PBT+30%G.F UL94V-0
 Contact: Phosphor Bronze C5210R-EH Thickness=0.35mm
 Pins: Brass C2680R-H Thickness=0.35mm
 Shield: SUS 201-1/2H Thickness=0.2mm
 Contact plating: Gold 6 micro-inches min. In contact area.
4. Wave solder tip temperature: 265°C Max, 5 Sec.
5. UL Certification: File Number E484635

| | | | | |
|--------|------------|------------|---|--|
| X:X | ±0.25 | APPD: | LINK-PP INT'L TECHNOLOGY CO., LIMITED | |
| X:XX | ±0.20 | CHKD: | TITLE: RJ45 Connector with 1000 Base-T Integrated Magnetics | |
| X:XXX | ±0.05 | DR: TOM | PART NO.: LPJG17308-1AHNL | |
| ANGLES | ±1° | UNIT: mm | DWG NO.: LP116072042 | |
| | SCALE: 2/1 | SHEET: 2/2 | REV: A | |