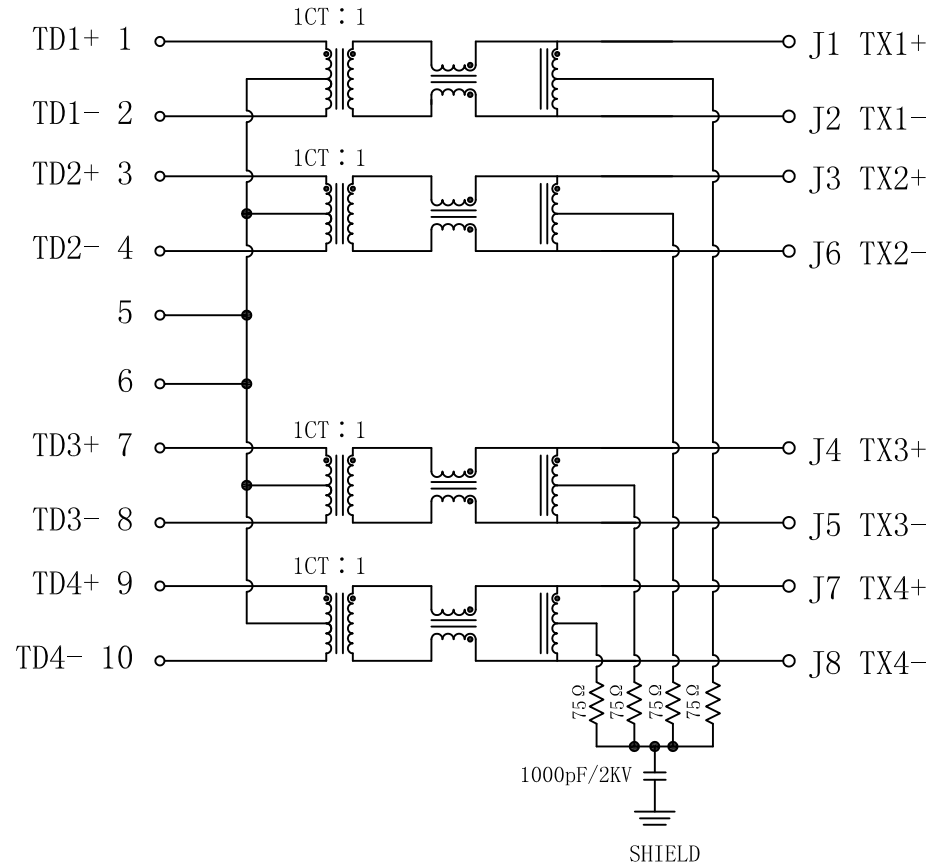


Schematic:

REV.	ECN NO.	DESCRIPTION	DATE	APPD
A	REL		2010/07/21	

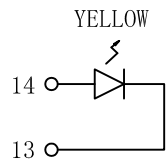
PCB CONNECTIONS



RJ45 CONNECTOR

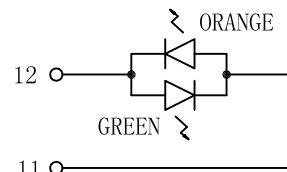
ELECTRICAL SPECIFICATIONS @25°C

- Turn Ratio ($\pm 2\%$):
1CT : 1
- Inductance OCL: 350uH MIN
@100KHz, 0.1V, 8mA DC Bias
- Insertion Loss:
-1.0dB MAX @ 1~100MHz
-1.2dB MAX @ 100~125MHz
- Return Loss (@100Ω):
-18dB MIN @ 1~30MHz
-16dB MIN @ 30~60MHz
-12dB MIN @ 60~80MHz
-10dB MIN @ 80~100MHz
- Cross talk:
-30dB MIN @ 1~100MHz
- Common Mode Rejection:
-30dB MIN @ 1~100MHz
- Hipot Test: 1500Vrms MIN
- Operating Temperature: 0 TO 70°C.



LEFT LED

LED POLARITY		COLOR
PIN 13	PIN 14	
-	+	YELLOW



RIGHT LED

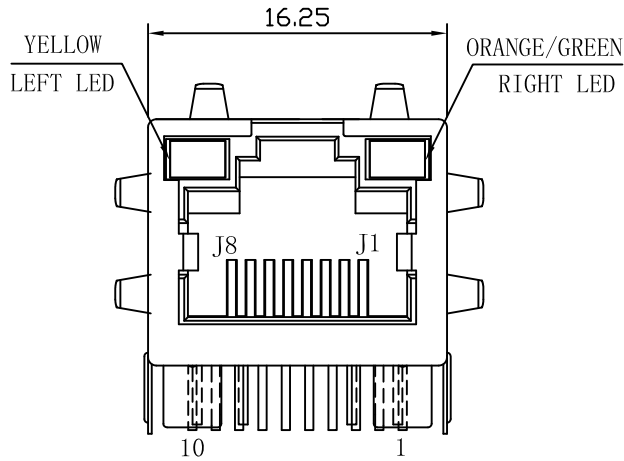
LED POLARITY		COLOR
PIN 11	PIN 12	
+	-	ORANGE
-	+	GREEN

Emitting Color	λ p(nm)	VF@IF=20mA	IR @VR=5V
ORANGE/GREEN	610/565	1.8~2.6V	10 μ A max
YELLOW	585	1.8~2.6V	10 μ A max

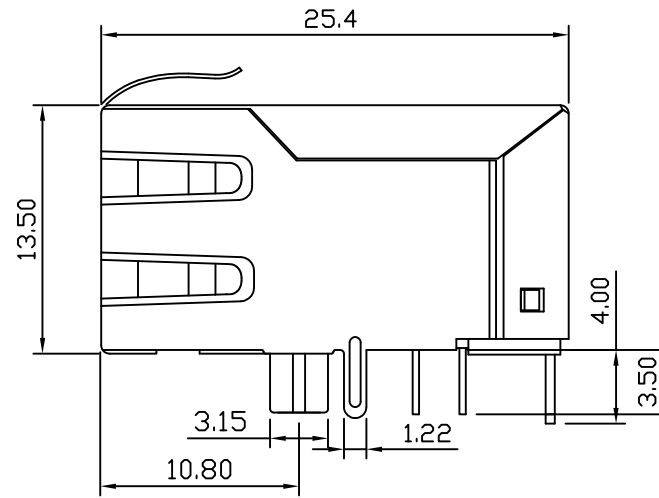
X:X	± 0.30	APPD:	LINK-PP INT'L TECHNOLOGY CO., LIMITED	
X:XX	± 0.25	CHKD:	TITLE: RJ45 Connector with 1000 Base-T Integrated Magnetics	
X:XXX	± 0.05	DR: TOM	PART NO.: LPJG17305-1ASNL	
ANGLES	$\pm 1^\circ$	UNIT: mm	DWG NO.: LP10072129	
	SCALE: 2/1	SHEET: 1/2	REV: A	

Mechanical:

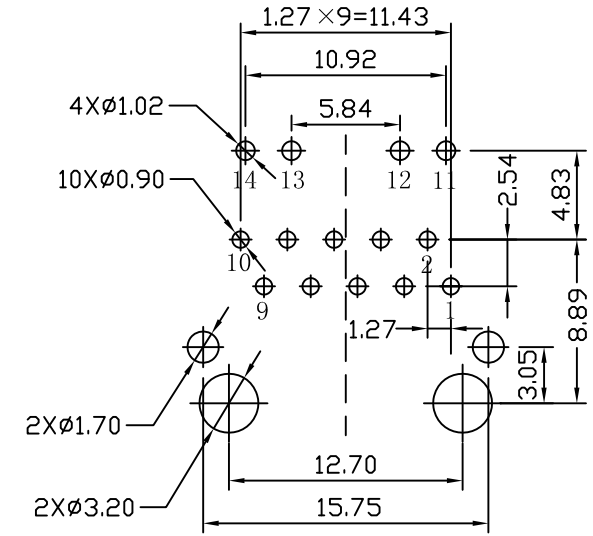
REV.	ECN NO.	DESCRIPTION	DATE	APPD
A	REL		2010/07/21	



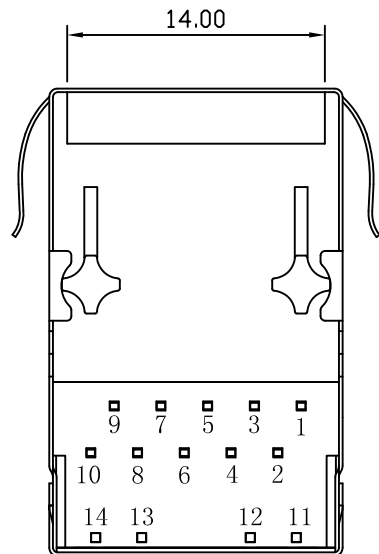
Front Side View



Left Side View



Suggested PCB Layout (Top View)



Bottom Side View



Top Side View

X:X	±0.30	APPD:	LINK-PP INT'L TECHNOLOGY CO., LIMITED	
X:XX	±0.25	CHKD:	TITLE: RJ45 Connector with 1000 Base-T Integrated Magnetics	
X:XXX	±0.05	DR: TOM	PART NO.: LPJG17305-1ASNL	
ANGLES	±1°	UNIT: mm	DWG NO.: LP10072129	
		SCALE: 2/1	SHEET: 2/2	REV: A