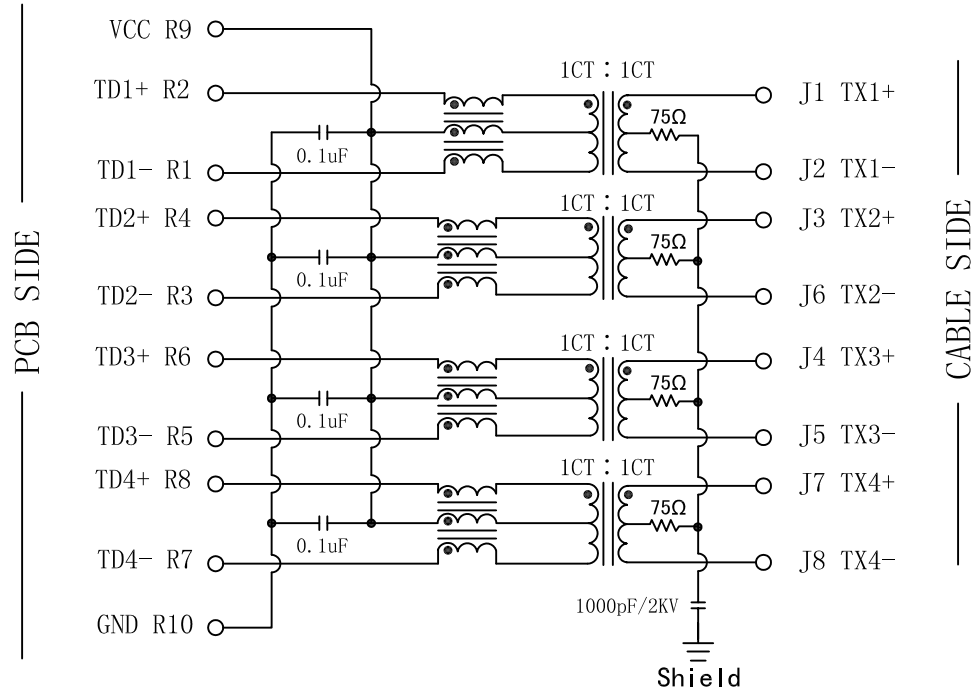


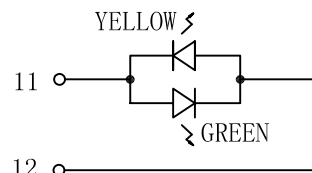
# Schematic:

REV.	ECN NO.	DESCRIPTION	DATE	APPD
A	REL		2011/05/21	



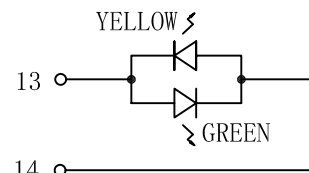
## Electrical Specifications @25°C

- OCL (@100KHz, 100mVrms, 8mA DC Bias):  
350uH min
- Turns Ratio: 1CT : 1CT ±2%
- Insertion Loss:  
0.1~1MHz: -1.1dB Max  
1~65MHz: -0.5dB Max  
65~100MHz: -0.8dB Max  
100~125MHz: -1.2dB Max
- Return Loss (dB Min):  
0.5~40MHz: -18  
40~100MHz:  $-[12+20\text{Log}(f/80\text{MHz})]$
- Crosstalk:  
0.1~100MHz: -30dB Min
- CM TO CM REJ:  
0.1~100MHz: -30dB Min
- CM TO DM REJ:  
0.1~100MHz: -30dB Min
- Hi-Pot: 1500Vrms @60Hz
- Operating Temperature: -40°C ~ +85°C.



LEFT LED

LED POLARITY		COLOR
PIN 11	PIN 12	
+	-	GREEN
-	+	YELLOW



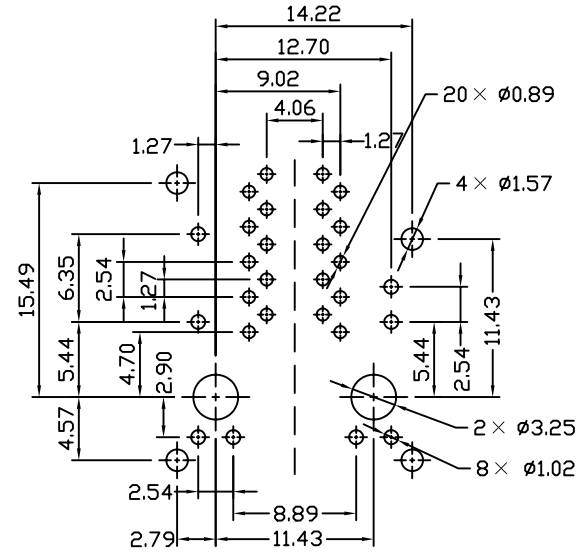
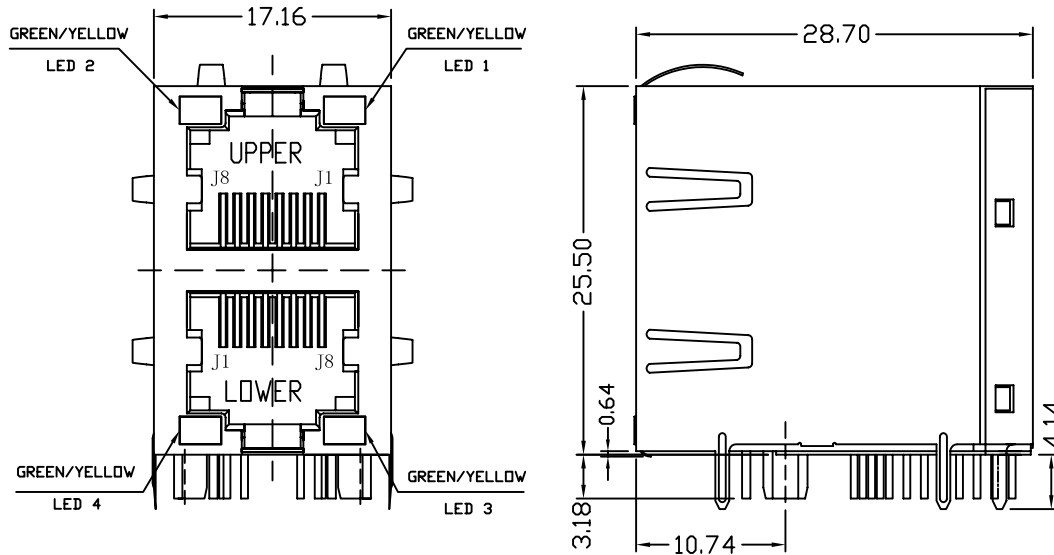
RIGHT LED

LED POLARITY		COLOR
PIN 13	PIN 14	
+	-	GREEN
-	+	YELLOW

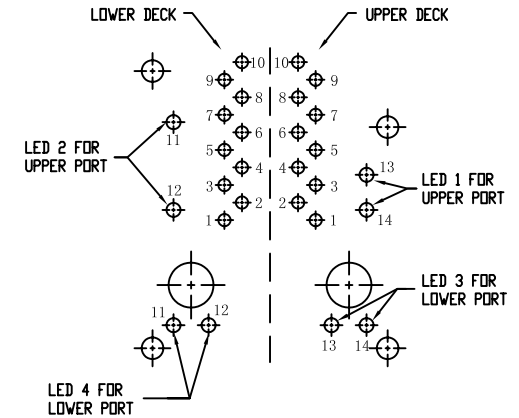
X:X ±0.30	APPD:	LINK-PP INT'L TECHNOLOGY CO., LIMITED
X:XX ±0.20	CHKD:	
X:XXX ±0.05	DR: TOM	TITLE: RJ45 Connector With 1000 Base-T Integrated Magnetics
ANGLES ±1°	UNIT: mm	PART NO.: LPJG17037A4NL
	SCALE: 2/1	SHEET: 1/2
	REV: A	DWG NO.: LP11083106

# Mechanical:

REV.	ECN NO.	DESCRIPTION	DATE	APPD
A	REL		2011/08/31	

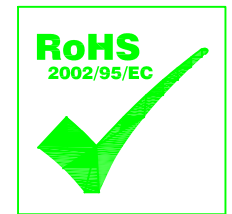


SUGGESTED PCB LAYOUT(TOP VIEW)



## NOTES:

1. Designed to support application, such as SOHO (ADSL modems), LAN-on-Motherboard (LOM), hub and Switches.
2. Meets IEEE 802.3 specification
3. Connector Materials:  
 Housing: Thermoplastic UL94V-0  
 Contact/Shield: Copper alloy  
 Shield plating: Nickel  
 Contact plating: Gold 6 micro-inches min. In contact area.
4. Wave solder tip temperature: 265°C Max  
 Wave solder tip temperature time: 5 Sec Max



X:X	±0.30	APPD:	LINK-PP INT'L TECHNOLOGY CO., LIMITED	
X:XX	±0.20	CHKD:		
X:XXX	±0.05	DR:	TOM	TITLE: RJ45 Connector With 1000 Base-T Integrated Magnetics
ANGLES	±1°	UNIT:	mm	PART NO. : LPJG17037A4NL
	SCALE: 2/1	SHEET: 2/2	REV: A	DWG NO. : LP11083106