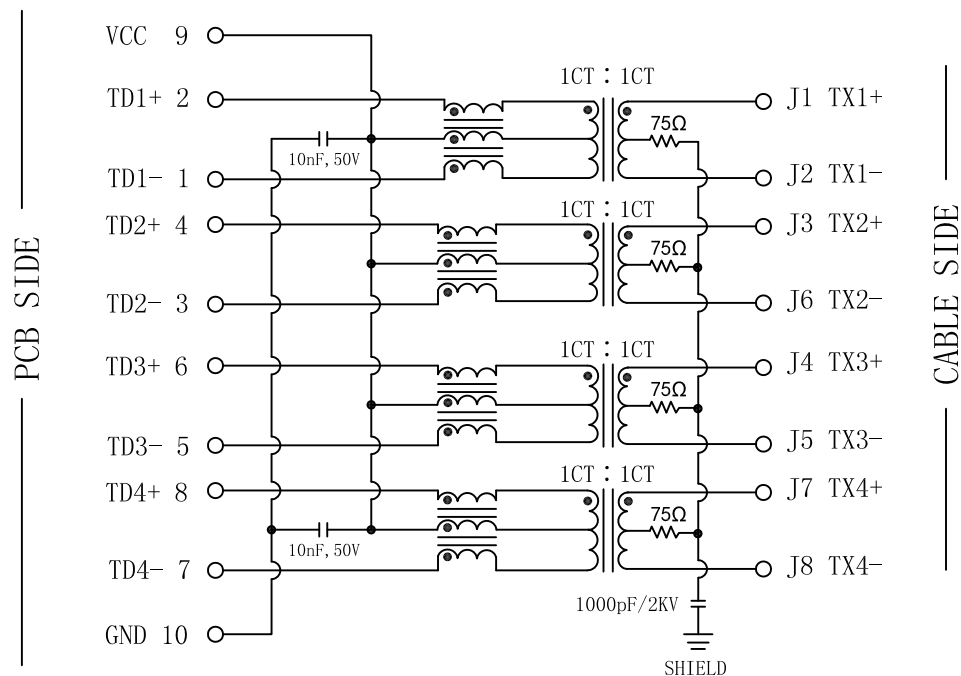


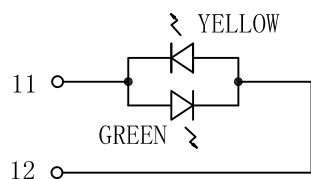
Schematic:

REV.	ECN NO.	DESCRIPTION	DATE	APPD
A	REL		2012/11/03	



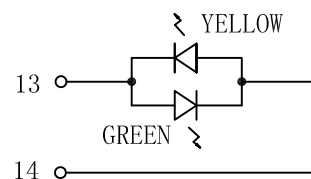
Electrical Specifications @25°C

- OCL (@100KHz, 100mVrms, 8mA DC Bias):
350uH Min
- Turns Ratio: 1CT : 1CT ±2%
- Insertion Loss:
0.5~100MHz: -1.1dB Max
- Return Loss (dB Min):
0.5~40MHz: -18
40.1~100MHz: -12-20Log(f/80MHz)
- Crosstalk (dB Min):
0.5~40MHz: -35
40.1~100MHz: -33-20Log(f/50MHz)
- Common Mode Rejection Ratio (CMRR):
0.5~100MHz: -30dB Min
- Hi-Pot: 1500Vrms
- Operating Temperature: 0°C ~ 70°C.



LEFT LED

LED POLARITY		COLOR
PIN 11	PIN 12	
+	-	GREEN
-	+	YELLOW



LEFT LED

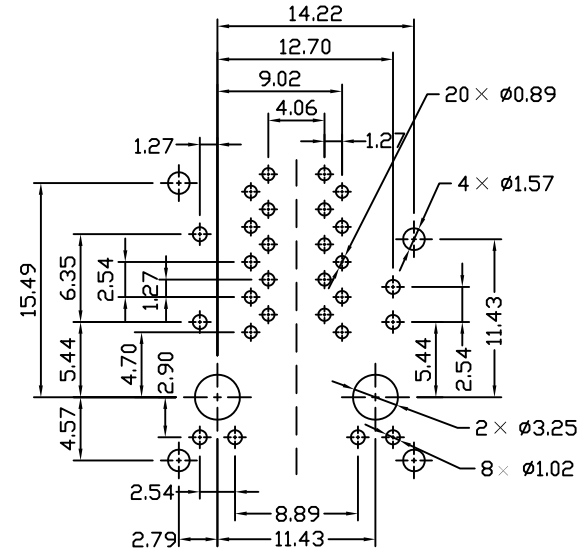
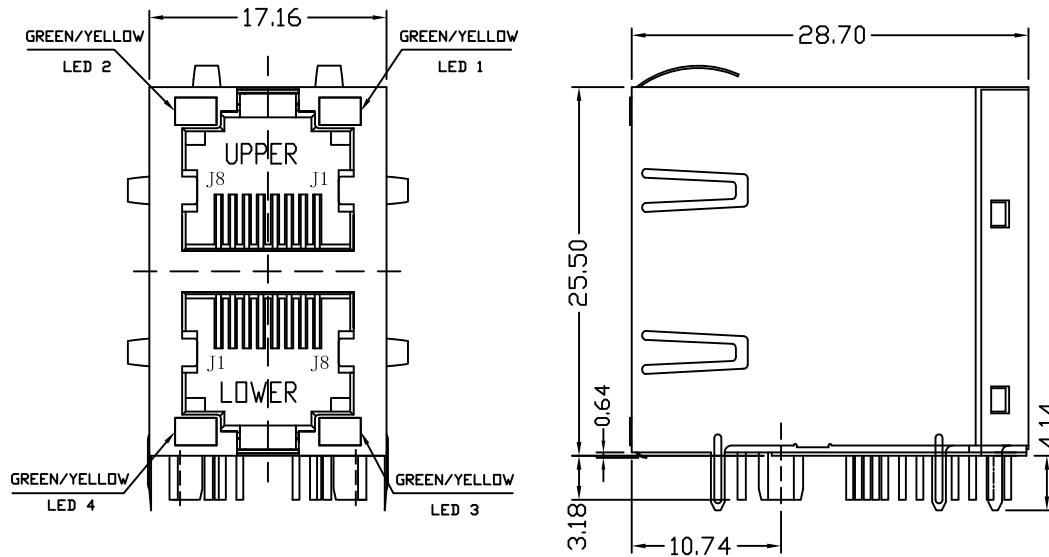
LED POLARITY		COLOR
PIN 13	PIN 14	
+	-	GREEN
-	+	YELLOW



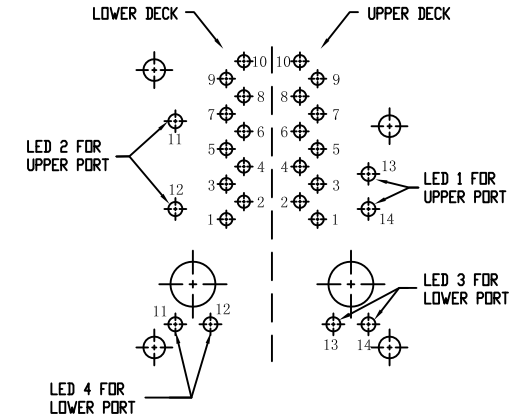
X:X ±0.30	APPD:	LINK-PP INT'L TECHNOLOGY CO., LIMITED
X:XX ±0.25	CHKD:	
X:XXX ±0.05	DR: TOM	TITLE: RJ45 Connector With 1000 Base-T Integrated Magnetics
ANGLES ±1°	UNIT: mm	PART NO.: LPJG17021A4NL
	SCALE: 2/1	SHEET: 1/2
	REV: A	DWG NO.: LP16011601

Mechanical:

REV.	ECN NO.	DESCRIPTION	DATE	APPD
A	REL		2012/11/03	



SUGGESTED PCB LAYOUT(TOP VIEW)



NOTES:

1. Designed to support application, such as SOHO (ADSL modems), LAN-on-Motherboard (LOM), hub and Switches.
2. Meets IEEE 802.3 specification
3. Connector Materials:
 Housing: Thermoplastic UL94V-0
 Contact/Shield: Copper alloy
 Shield plating: Nickel
 Contact plating: Gold 6 micro-inches min. In contact area.
4. Wave solder tip temperature: 265°C Max, 5 Sec Max.



X:X	±0.30	APPD:	LINK-PP INT'L TECHNOLOGY CO., LIMITED	
X:XX	±0.25	CHKD:	TITLE: RJ45 Connector With 1000 Base-T Integrated Magnetics	
X:XXX	±0.05	DR: TOM	PART NO.: LPJG17021A4NL	
ANGLES	±1°	UNIT: mm	DWG NO.: LP16011601	
	SCALE: 2/1	SHEET: 2/2	REV: A	