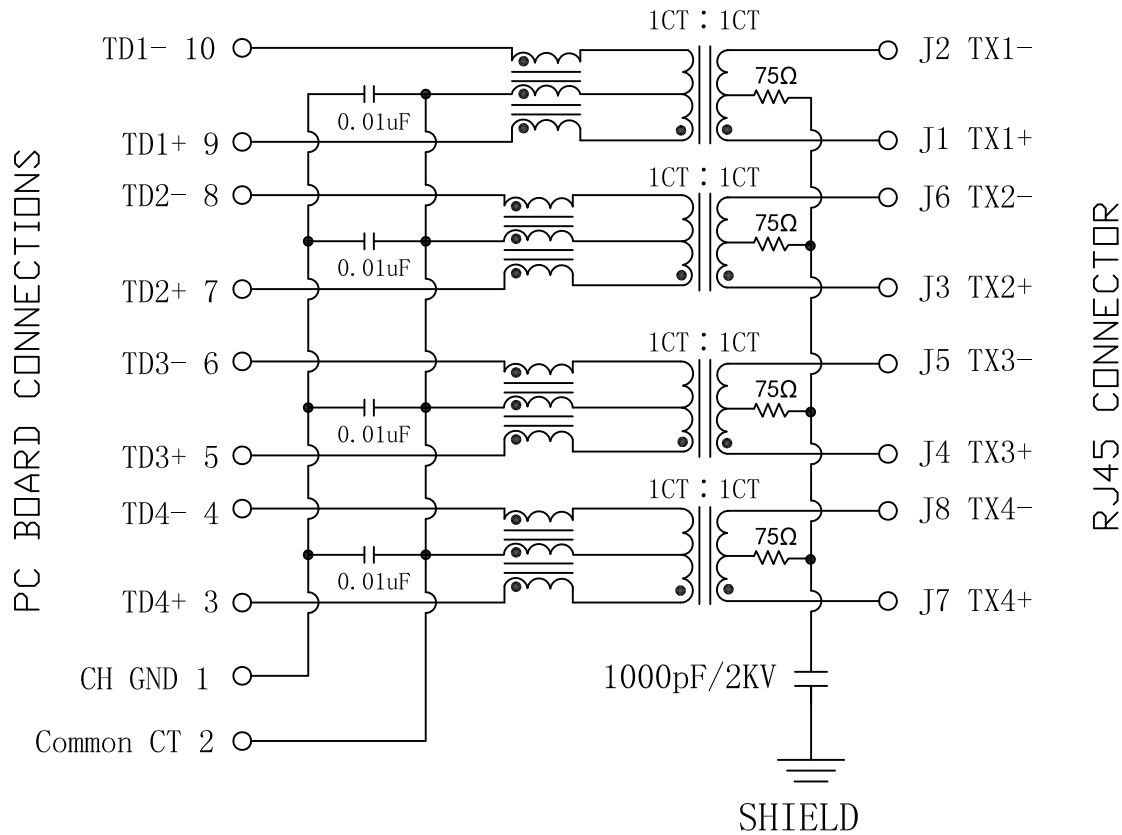


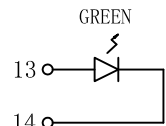
# Schematic:

REV.	ECN NO.	DESCRIPTION	DATE	APPD
A	REL		2014/05/10	



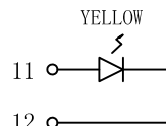
## Electrical Specifications @25°C

- Turns Ratio:  
Pri:Sec= 1CT:1CT ±2%
- Insertion Loss (dB Max):  
1-100MHz:-1.0      100-125:-1.5
- Return Loss (dB Min):  
1-30MHz:-18      40MHz:-15  
50MHz:-13.1      60-80MHz:-12  
100MHz:-10
- Crosstalk (dB Min):  
30MHz:-43      60MHz:-40  
100MHz:-35
- Differential to Common Mode Rejection (dB Min):  
30MHz:-45      80MHz:-37  
100MHz:-33
- CMRR (dB Min):  
1-100:-30
- OCL: 350uH Min.  
@100KHz, 0.1Vrms, 8mA DC
- Hipot: 1500Vrms Min
- Operating Temperature: -40°C ~ +85°C



LEFT LED

LED POLARITY		COLOR
PIN 13	PIN 14	
+	-	GREEN



RIGHT LED

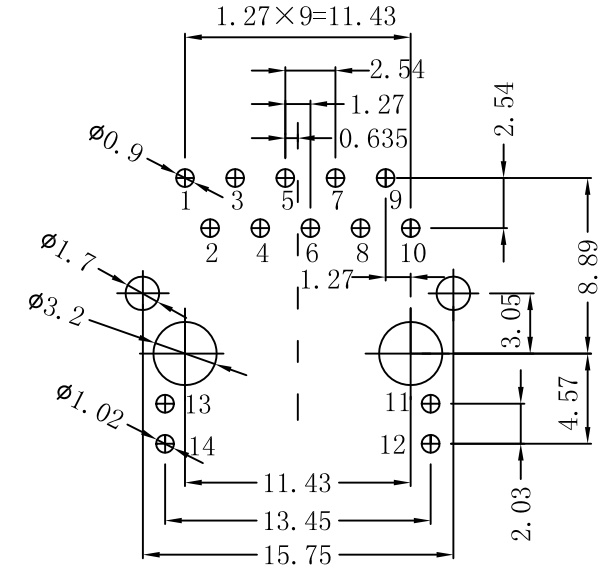
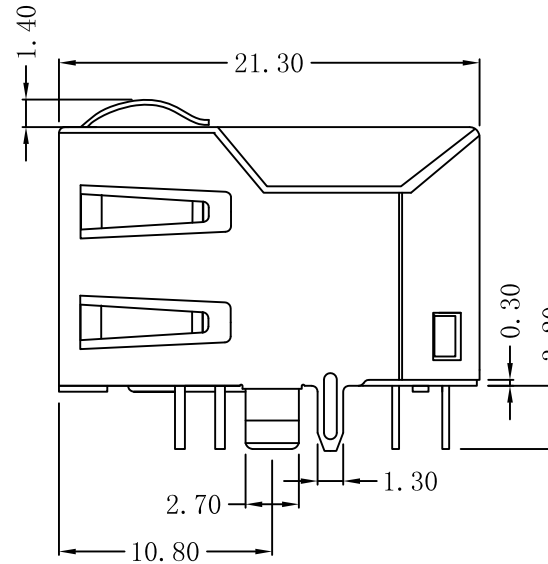
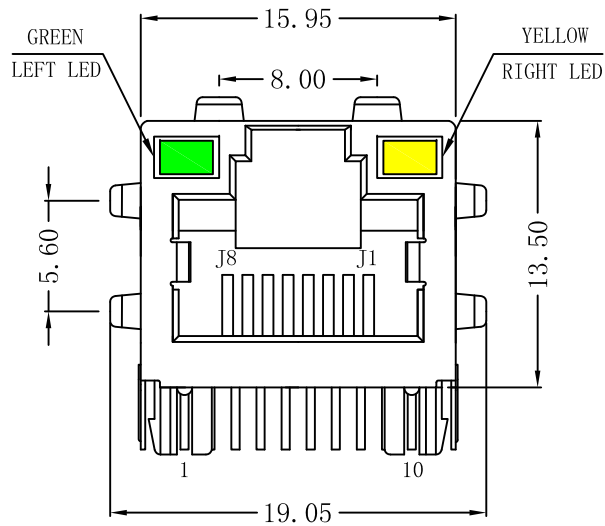
LED POLARITY		COLOR
PIN 11	PIN 12	
+	-	YELLOW



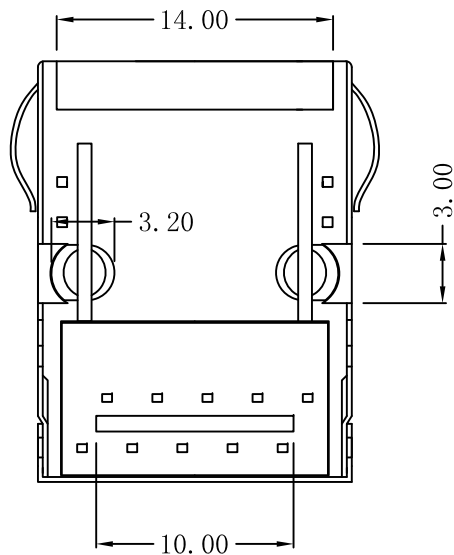
X:X	±0.20	APPD:	LINK-PP INT'L TECHNOLOGY CO., LIMITED	
X:XX	±0.10	CHKD:	TITLE: Through Hole Tab-Up RJ45 Jack With 10/100/1000 Base-TX Magnetic	
X:XXX	±0.05	DR: TOM	PART NO.: LPJG16784AENL	
ANGLES	±1°	UNIT: mm	REV: A	
	SCALE: 2/1	SHEET: 1/2	DWG NO.:	LP14051001

# Mechanical :

REV.	ECN NO.	DESCRIPTION	DATE	APPD
A	REL		2014/05/10	



SUGGESTED PCB LAYOUT(TOP VIEW)



## NOTES:

1. Designed to support application, such as SOHO (ADSL modems), LAN-on-Motherboard (LOM), hub and Switches.
2. Meets IEEE 802.3 specification
3. Connector Materials:  
Housing: Thermoplastic UL94V-0  
Contact/Shield: Copper alloy  
Shield plating: Nickel  
Contact plating: Gold 6 micro-inches min. In contact area.
4. Wave solder tip temperature: 265°C Max  
Wave solder tip temperature time: 5 Sec Max



X:X	±0.20	APPD:	LINK-PP INT'L TECHNOLOGY CO., LIMITED	
X:XX	±0.10	CHKD:	TITLE: Through Hole Tab-Up RJ45 Jack With 10/100/1000 Base-TX Magnetic	
X:XXX	±0.05	DR: TOM	PART NO. : LPJG16784AENL	
ANGLES	±1°	UNIT: mm		
		SCALE: 2/1	SHEET: 2/2	REV: A
DWG NO. : LP14051001				