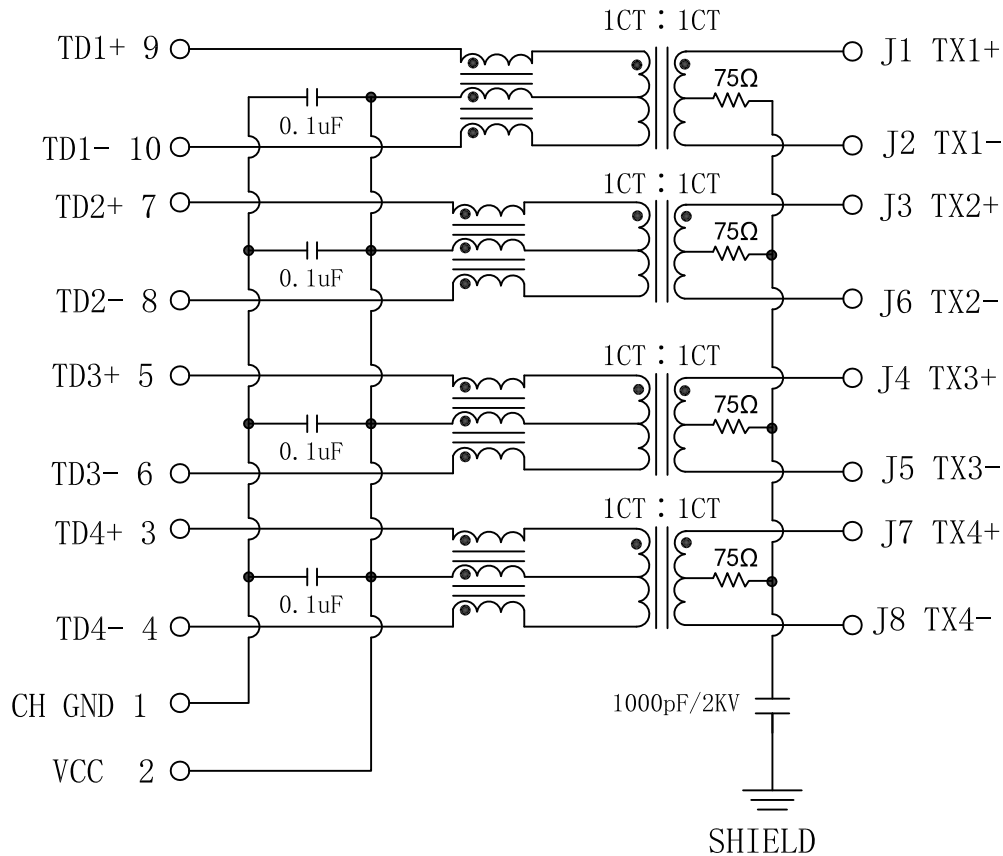


Schematic:

REV.	ECN NO.	DESCRIPTION	DATE	APPD
A	REL		2012/02/12	

PC BOARD CONNECTIONS

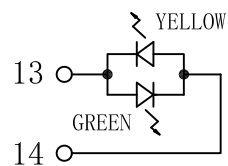


RJ45 CONNECTOR

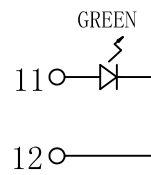
Electrical Specifications @25°C

1. Impedance: 100 ohms
2. OCL: 350uH Min
@100KHz, 0.1Vrms, 8mA DC BIAS
3. Turns Ratio:
1CT:1CT
4. Return Loss (dB Min):
0.5-40MHz: -18
40.1-100MHz: -12-20 LOG(f/80)
4. Crosstalk (dB Min):
0.5-40MHz: -35
40.1-100MHz: -33-20LOG(f/50)
5. Insertion Loss:
0.5-100MHz: -1.1dB Max
6. Common Mode Rejection Ratio:
0.5-100MHz: -30 dB Min
7. Isolation Voltage: 1500Vrms
8. Operating Temperature: -40°C ~ +85°C.

Emitting Color	λ p(nm)	VF@IF=20mA	IR @VR=5V
GREEN	565	1.8~2.6V	10 μ A max
YELLOW	585	1.8~2.6V	10 μ A max



LEFT LED



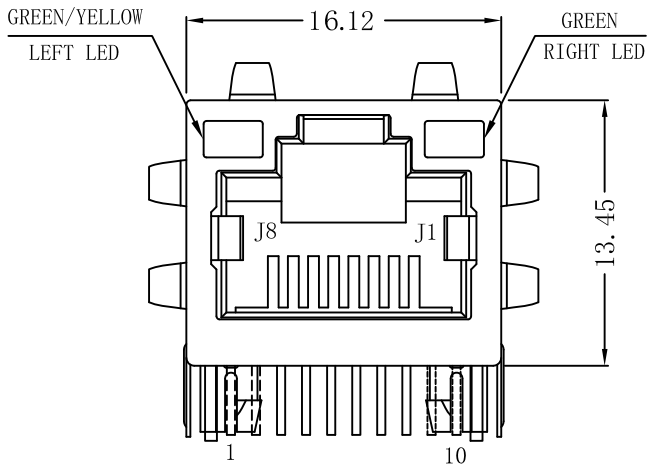
RIGHT LED



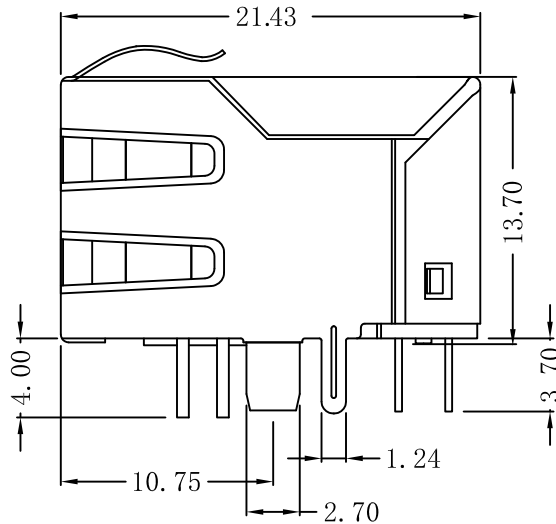
X:X	± 0.30	APPD:	LINK-PP INT'L TECHNOLOGY CO., LIMITED
X:XX	± 0.25	CHKD:	
X:XXX	± 0.05	DR: TOM	TITLE: RJ45 Connector With 1000 Base-TX Integrated Magnetic
ANGLES	$\pm 1^\circ$	UNIT: mm	PART NO.: LPJG16740-7A52NL
	SCALE: 2/1	SHEET: 1/2	REV: A
			DWG NO.: LP11021144

Mechanical:

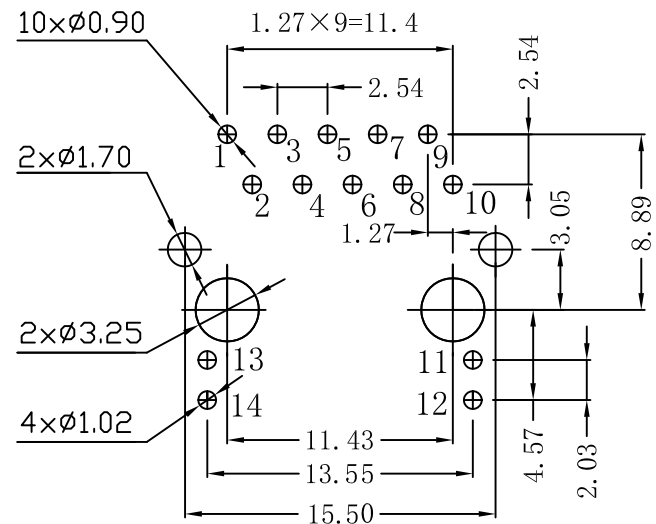
REV.	ECN NO.	DESCRIPTION	DATE	APPD
A	REL		2012/02/12	



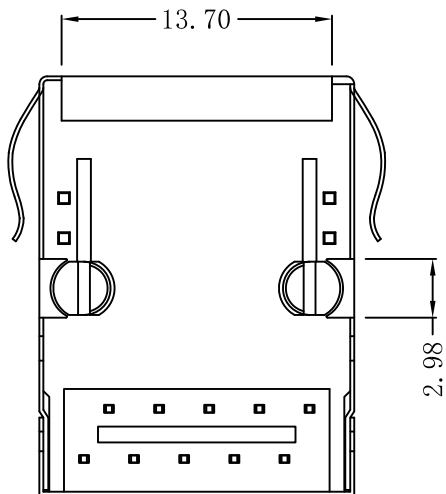
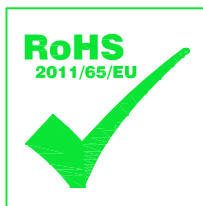
Front Side View



Left Side View



Suggested PCB Layout (Top View)



Bottom Side View



Top Side View

NOTES:

1. Designed to support application, such as SOHO (ADSL modems), LAN-on-Motherboard (LOM), hub and Switches.
2. Meets IEEE 802.3 specification
3. Connector Materials:
Housing: Thermoplastic PBT+30%G.F UL94V-0
Contact: Phosphor Bronze C5210R-EH Thickness=0.35mm
Pins: Brass C2680R-H Thickness=0.35mm
Shield: SUS 201-1/2H Thickness=0.2mm
Contact plating: Gold 15 micro-inches min. In contact area.
4. Wave solder tip temperature: 265°C Max, 5 Sec Max.
5. UL Certification: File Number E484635.

X:X	±0.30	APPD:	LINK-PP INT'L TECHNOLOGY CO., LIMITED
X:XX	±0.25	CHKD:	
X:XXX	±0.05	DR: TOM	TITLE: RJ45 Connector With 1000 Base-TX Integrated Magnetic
ANGLES	±1°	UNIT: mm	PART NO.: LPJG16740-7A52NL
	SCALE: 2/1	SHEET: 2/2	REV: A DWG NO.: LP11021144