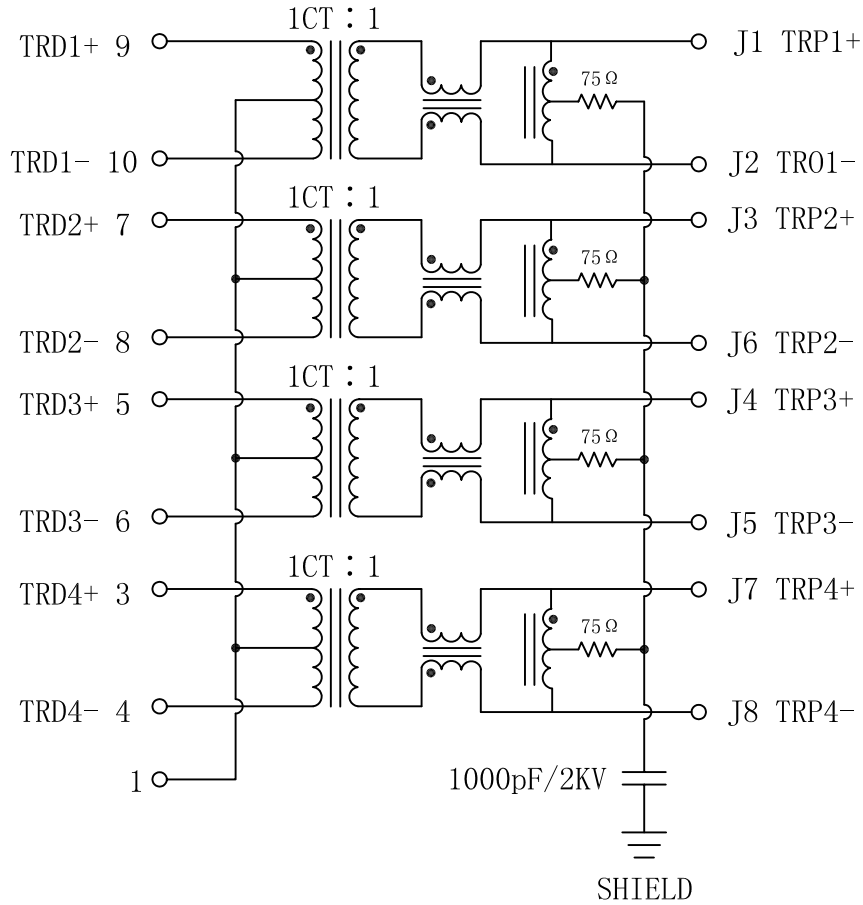


# Schematic:

| REV. | ECN NO. | DESCRIPTION | DATE       | APPD |
|------|---------|-------------|------------|------|
| A    | REL     |             | 2011/04/21 |      |

PC BOARD CONNECTIONS



RJ45 CONNECTOR

## Electrical Specification @25°C

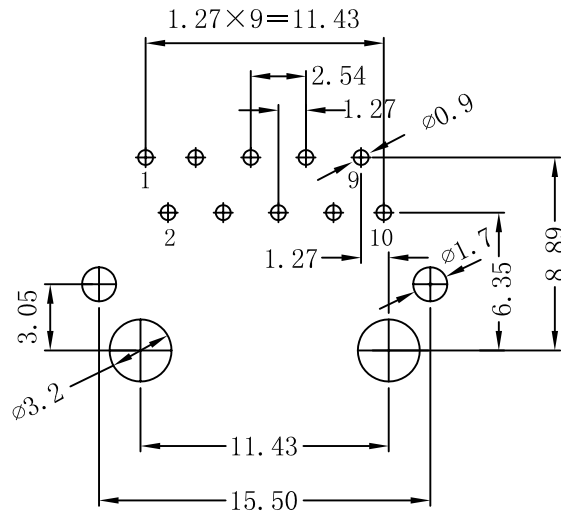
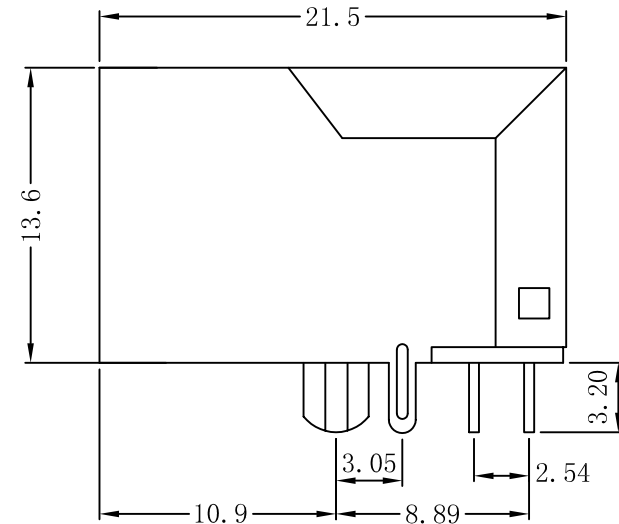
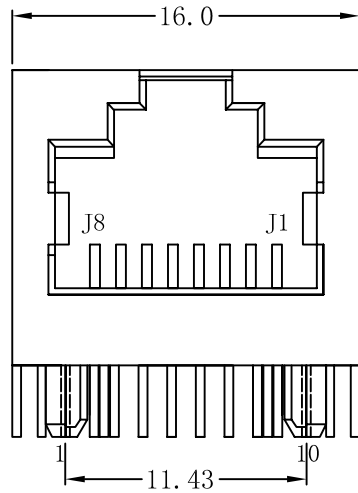
- Turns Ratio ( $\pm 2\%$ ) :  
TX=1CT:1      RX=1CT:1
- Insetion Loss:  
1-100 MHz:-1.0dB Max  
100-125 MHz:-1.2dB Max
- Return Loss(dB Min. LOAD 100 OHM):  
1-30MHz:-16      30-40MHz:-13.5  
40-50MHz:-11.5      50-80MHz:-10
- Crosstalk:  
1-100MHz:-30dB Min
- CMRR:  
1-100MHz:-30dB Min
- Inductance(@100KHz, 0.1V, 8mA ):  
(3-4), (5-6), (7-8), (9-10): 350uH Min.
- Hipot: 1500Vrms
- Operating Temperature: 0~70°C.



|        |               |            |   |                      |
|--------|---------------|------------|---|----------------------|
| X:X    | $\pm 0.20$    | APPD:      | LINK-PP INT'L TECHNOLOGY CO., LIMITED                       |                      |
| X:XX   | $\pm 0.10$    | CHKD:      |   |                      |
| X:XXX  | $\pm 0.05$    | DR: TOM    | Title: RJ45 Connector With 1000 Base-TX Integrated Magnetic |                      |
| ANGLES | $\pm 1^\circ$ | UNIT: mm   | PART NO. : LPJG16528DNL                                     |                      |
|        | SCALE: 2/1    | SHEET: 1/2 | REV: A  | DWG NO. : LP11042102 |

# Mechanical :

| REV. | ECN NO. | DESCRIPTION | DATE       | APPD |
|------|---------|-------------|------------|------|
| A    | REL     |             | 2011/04/21 |      |



SUGGESTED PCB LAYOUT (TOP VIEW)



## NOTES:

1. Designed to support application, such as SOHO (ADSL modems), LAN-on-Motherboard (LOM), hub and Switches.
2. Meets IEEE 802.3 specification
3. Connector Materials:  
 Housing: Thermoplastic UL94V-0  
 Contact/Shield: Copper alloy  
 Shield plating: Nickel  
 Contact plating: Gold 6 micro-inches min. In contact area.
4. Wave solder tip temperature: 265°C Max  
 Wave solder tip temperature time: 5 Sec Max

|        |            |            |   |
|--------|------------|------------|---|
| X:X    | ±0.20      | APPD:      | LINK-PP INT'L TECHNOLOGY CO., LIMITED                       |
| X:XX   | ±0.10      | CHKD:      |   |
| X:XXX  | ±0.05      | DR: TOM    | Title: RJ45 Connector With 1000 Base-TX Integrated Magnetic |
| ANGLES | ±1°        | UNIT: mm   | PART NO.: LPJG16528DNL                                      |
|        | SCALE: 2/1 | SHEET: 2/2 | REV: A DWG NO.: LP11042102                                  |