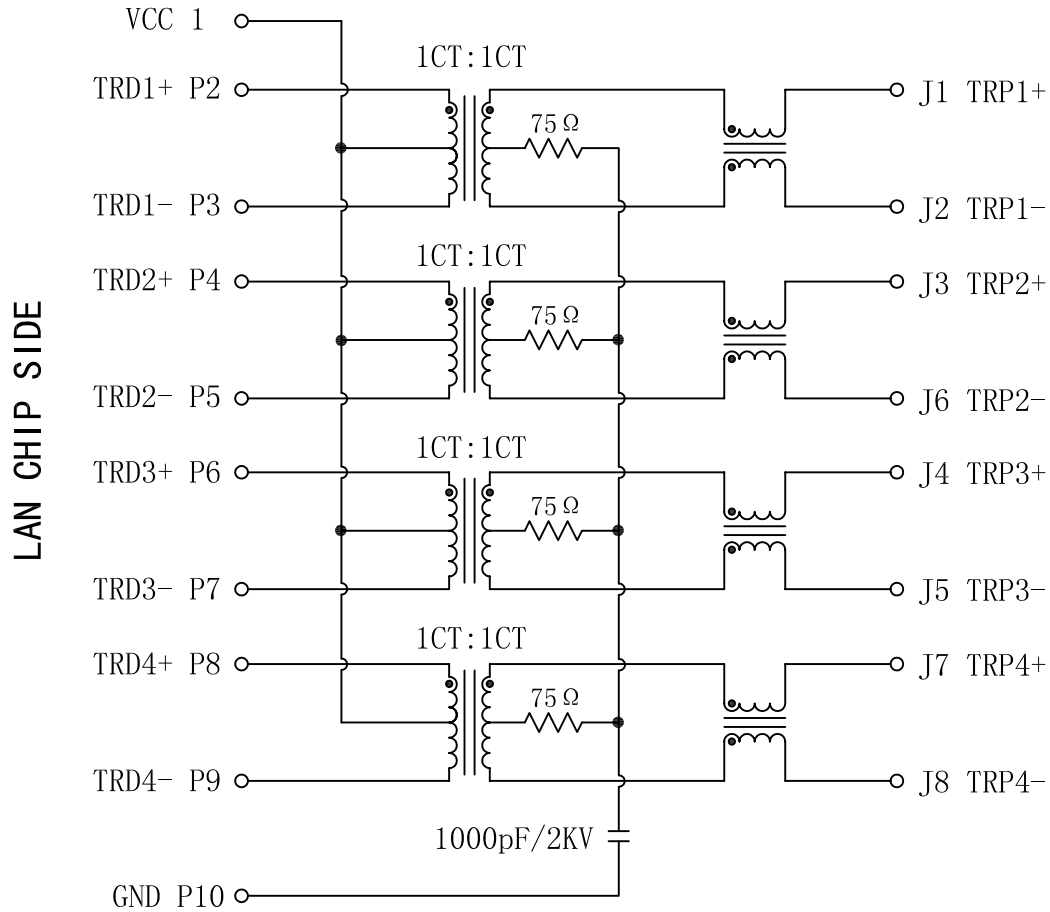


Schematic:

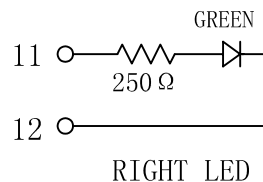
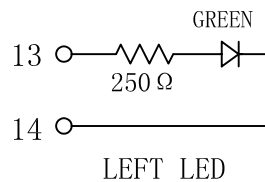
REV.	ECN NO.	DESCRIPTION	DATE	APPD
A	REL		30/10/2009	



RJ CABLE SIDE

ELECTRICAL SPECIFICATIONS @25°C

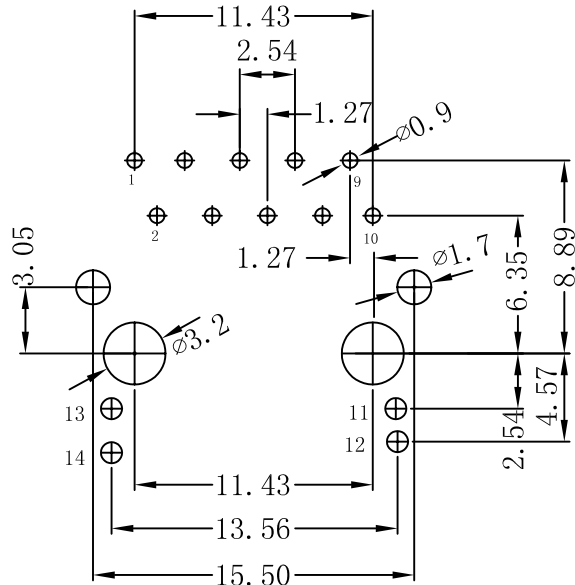
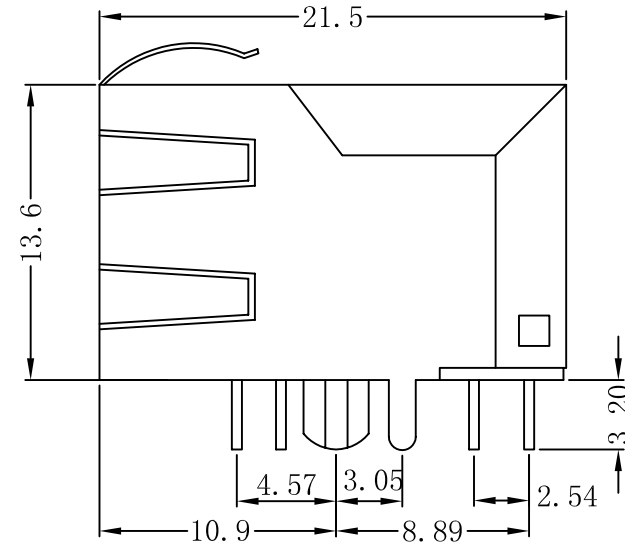
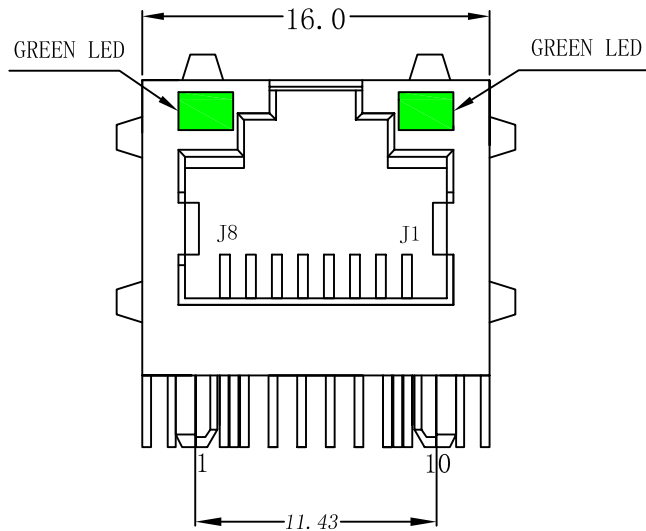
- Turn Ratio ($\pm 2\%$):
TX=1CT:1CT RX=1CT:1CT
- Inductance OCL:
350uH Min @100KHz, 0.1V, 8mA DC Bias
- Insertion Loss:
-0.8dB Max @ 0.3-100MHz
-1.2dB Max @ 100-120MHz
- Return Loss:
-18dB Min @ 0.5-40MHz
-12-20Log(f/80MHz)dB Min @ 40-100MHz
- Cross talk:
-33-20Log(f/100MHz)dB MIN @ 0.1-100MHz
- Common To Differential Mode Rejection:
-35dB MIN @ 0.3-100MHz
- Common To Common Mode Rejection:
-30dB MIN @ 0.3-100MHz
- Hipot Test: 1500VAC FOR 60 SECONDS
- Operating Temperature : 0°C TO 70°C



X:X	± 0.20	APPD:	LINK-PP INT'L TECHNOLOGY CO., LIMITED
X:XX	± 0.10	CHKD:	
X:XXX	± 0.05	DR: C.H.Y	
ANGLES	$\pm 1^\circ$	UNIT: mm	PART NO. : LPJG16520AZNL
	SCALE: 2/1	SHEET: 1/2	REV: A DWG NO. : LP09103005

Mechanical :

REV.	ECN NO.	DESCRIPTION	DATE	APPD
A	REL		30/10/2009	



SUGGESTED PCB LAYOUT (TOP VIEW)

NOTES:

1. Designed to support application, such as SOHO (ADSL modems), LAN-on-Motherboard (LOM), hub and Switches.
2. Meets IEEE 802.3 specification
3. Connector Materials:
Housing: Thermoplastic UL94V-0
Contact/Shield: Copper alloy
Shield plating: Nickel
Contact plating: Gold 6 micro-inches min. In contact area.
4. Wave solder tip temperature: 265°C MAX
Wave solder tip temperature time: 5 Sec MAX.



X:X	±0.20	APPD:	LINK-PP INT'L TECHNOLOGY CO., LIMITED
X:XX	±0.10	CHKD:	
X:XXX	±0.05	DR: C.H.Y	
ANGLES	±1°	UNIT: mm	PART NO. : LPJG16520AZNL
	SCALE: 2/1	SHEET: 2/2	REV: A DWG NO. : LP09103005