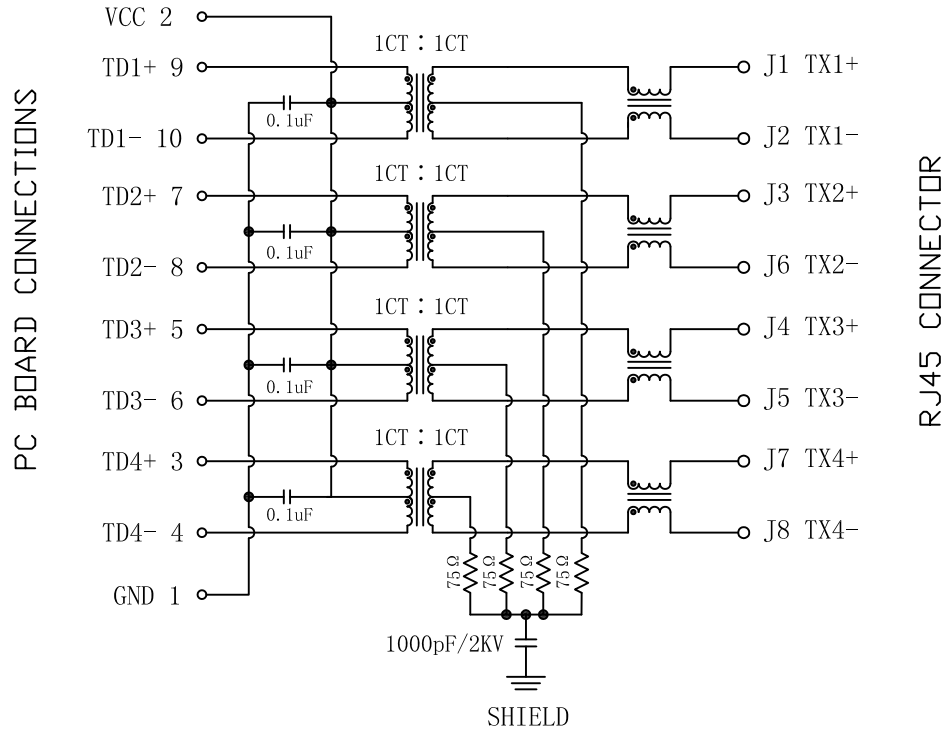


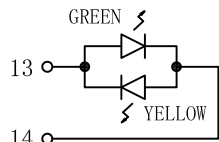
Schematic:

REV.	ECN NO.	DESCRIPTION	DATE	APPD
A	REL		2013/01/11	



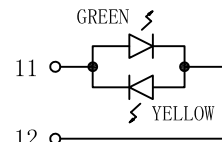
ELECTRICAL SPECIFICATIONS @25°C

1. Turn Ratio ($\pm 3\%$): 1CT:1CT
2. Inductance OCL: 350uH MIN @100KHz/0.1V, 8mA DC Bias
3. Insertion Loss: -1.1dB MAX @ 0.1-100MHz
4. Return Loss: -16dB MIN @1-40MHz, -13.5dB MIN @60MHz, -12dB MIN @80MHz, -10dB MIN @100MHz
5. Cross talk: -30dB MIN @ 0.1-100MHz
6. Common Mode Rejection: -30dB MIN @ 0.1-100MHz
7. Hipot Test: 1500Vrms MIN
8. Operating Temperature Range: 0°C TO 70°C



LEFT LED

LED POLARITY		COLOR
PIN 13	PIN 14	
+	-	GREEN
-	+	YELLOW



RIGHT LED

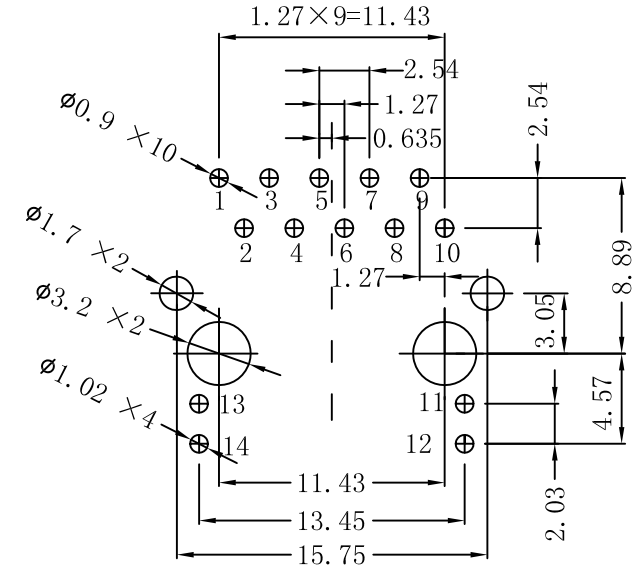
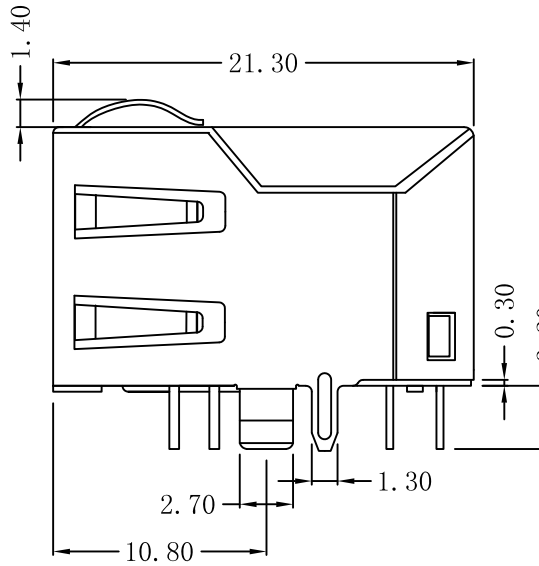
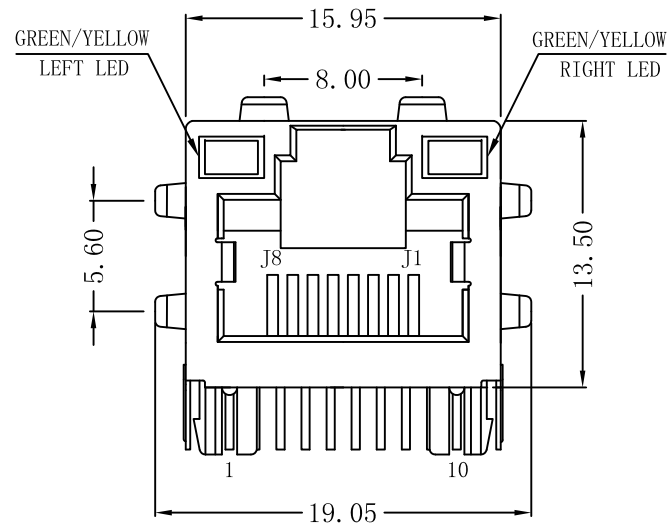
LED POLARITY		COLOR
PIN 11	PIN 12	
+	-	GREEN
-	+	YELLOW



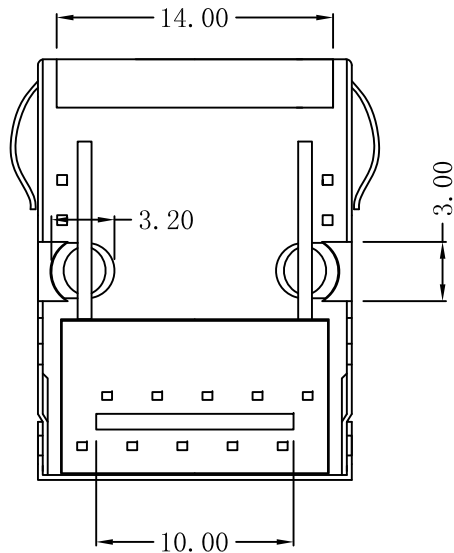
X:X	± 0.25	APPD:	LINK-PP INT'L TECHNOLOGY CO., LIMITED
X:XX	± 0.20	CHKD:	
X:XXX	± 0.05	DR: TOM	TITLE: Through Hole Tab-Up RJ45 Jack With 1000 Base-TX Magnetic
ANGLES	$\pm 1^\circ$	UNIT: mm	PART NO.: LPJG16515A4NL
	SCALE: 2/1	SHEET: 1/2	REV: A
			DWG NO.: LP14062411

Mechanical:

REV.	ECN NO.	DESCRIPTION	DATE	APPD
A	REL		2014/06/24	



SUGGESTED PCB LAYOUT<TOP VIEW>



NOTES:

1. Designed to support application, such as SOHO (ADSL modems), LAN-on-Motherboard (LOM), hub and Switches.
2. Meets IEEE 802.3 specification
3. Connector Materials:
Housing: Thermoplastic UL94V-0
Contact/Shield: Copper alloy
Shield plating: Nickel
Contact plating: Gold 6 micro-inches min. In contact area.
4. Wave solder tip temperature: 265°C Max
Wave solder tip temperature time: 5 Sec Max



X:X	±0.25	APPD:	LINK-PP INT'L TECHNOLOGY CO., LIMITED
X:XX	±0.20	CHKD:	
X:XXX	±0.05	DR: TOM	TITLE: Through Hole Tab-Up RJ45 Jack With 1000 Base-TX Magnetic
ANGLES	±1°	UNIT: mm	PART NO.: LPJG16515A4NL
	SCALE: 2/1	SHEET: 2/2	REV: A DWG NO.: LP14062411