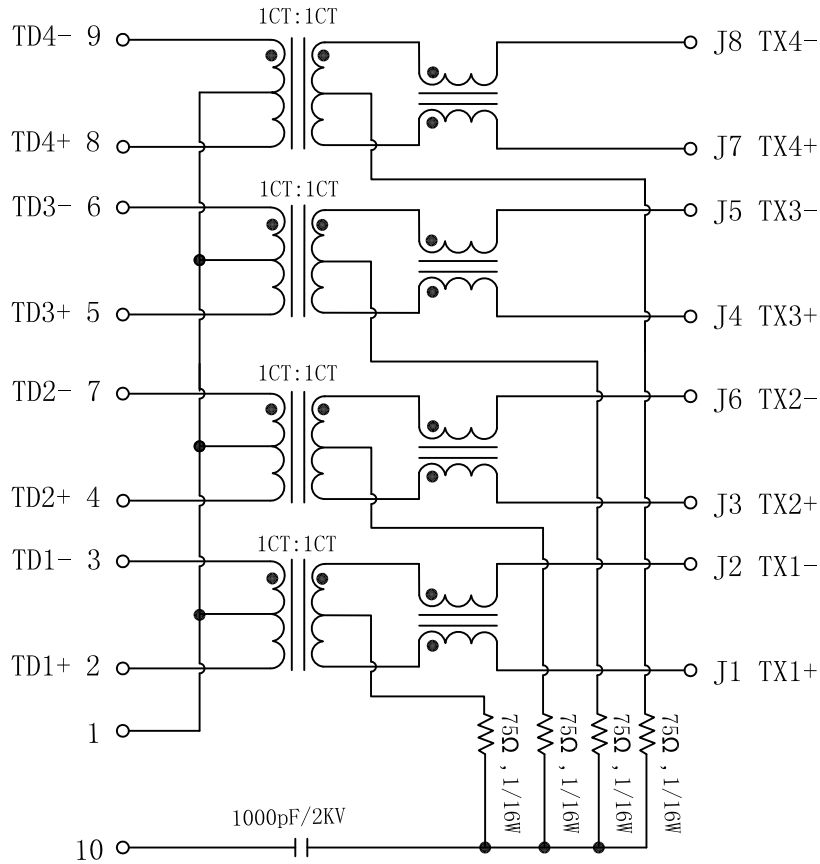


Schematic:

REV.	ECN NO.	DESCRIPTION	DATE	APPD
A	REL		2015-07-02	

PC BOARD CONNECTIONS



RJ45 CONNECTOR

Electrical Specification @25°C

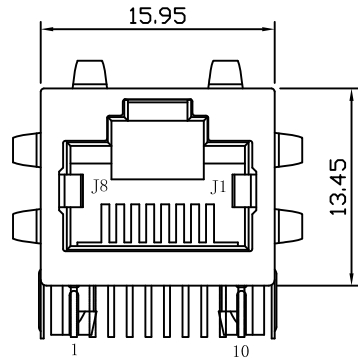
1. Open Circuit Inductance(OCL):  
350uH Min @100KHz, 0.1Vrms, 8mA DC Bias
2. Turns Ratio (CHIP:CABLE):  
1:1 all four pairs
3. Insertion Loss:  
0.5-100MHz:-1.1dB Max
4. Return Loss:  
0.5-40MHz:-18dB Min  
40.1-100MHz:-12-20LOG(f/80) dB Min
5. Cross Talk:  
0.5-40MHz:-35dB Min  
40.1-100MHz:-33-20LOG(F/50) dB Min
6. Common Mode Rejection Ratio(CMRR):  
0.5-100MHz:-30dB Min
7. Isolation(@60Hz): 1500Vrms
8. Operating Temperature: 0°C~70°C.



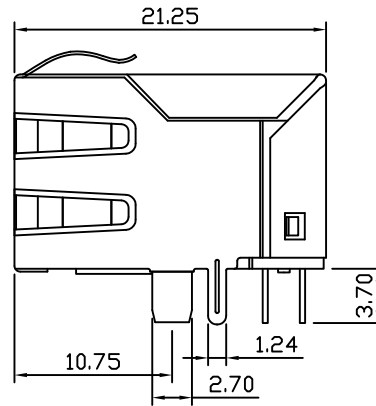
X:X	±0.30	APPD:	LINK-PP INT'L TECHNOLOGY CO., LIMITED	
X:XX	±0.25	CHKD:	TITLE: RJ45 Connector with 1000 Base-T Integrated Magnetics	
X:XXX	±0.05	DR: TOM	PART NO.: LPJG16506CNL	
ANGLES	±1°	UNIT: mm	DWG NO.: LP15070217	
	SCALE: 2/1	SHEET: 1/2	REV: A	

# Mechanical:

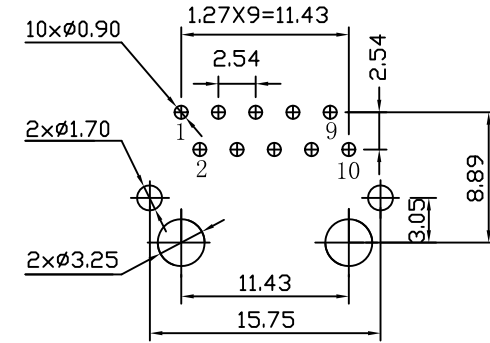
REV.	ECN NO.	DESCRIPTION	DATE	APPD
A	REL		2015-07-02	



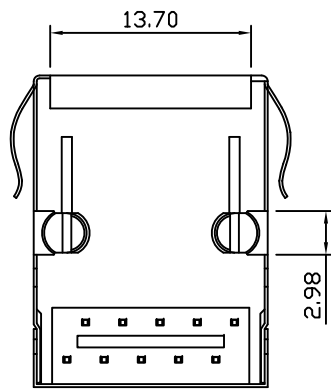
Front Side View



Left Side View



Suggested PCB Layout (ToP View)



Bottom Side View



Top Side View

## NOTES:

1. Designed to support application, such as SOHO (ADSL modems), LAN-on-Motherboard (LOM), hub and Switches.
2. Meets IEEE 802.3 specification
3. Connector Materials:  
 Housing: Thermoplastic PBT+30%G.F UL94V-0  
 Contact: Phosphor Bronze C5210R-EH Thickness=0.35mm  
 Pins: Brass C2680R-H Thickness=0.35mm  
 Shield: SUS 201-1/2H Thickness=0.2mm  
 Contact plating: Gold 6 micro-inches min. In contact area.
4. Wave solder tip temperature: 265°C Max, 5 Sec Max.

X:X	±0.30	APPD:	LINK-PP INT'L TECHNOLOGY CO., LIMITED	
X:XX	±0.25	CHKD:		
X:XXX	±0.05	DR: TOM	TITLE: RJ45 Connector with 1000 Base-T Integrated Magnetics	
ANGLES	±1°	UNIT: mm	PART NO.: LPJG16506CNL	
	SCALE: 2/1	SHEET: 1/2	REV: A	DWG NO.: LP15070217