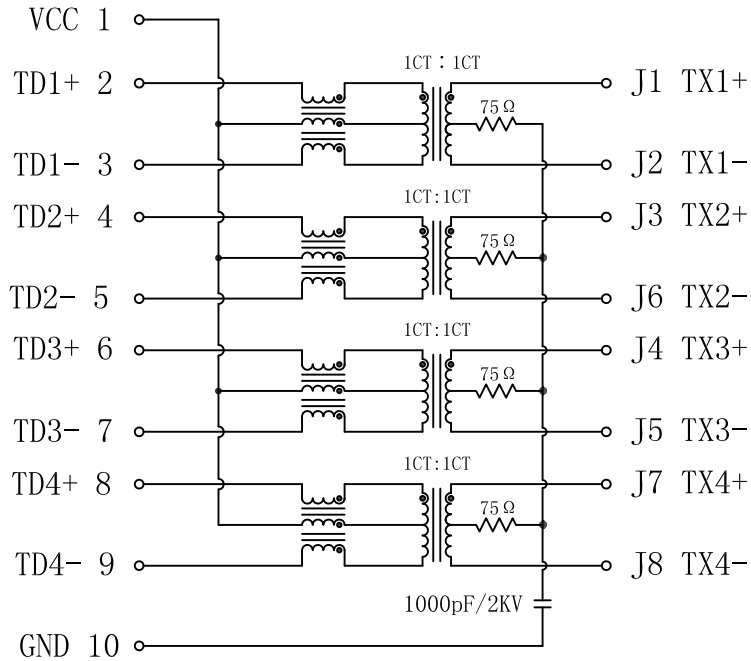


Schematic:

REV.	ECN NO.	DESCRIPTION	DATE	APPD
A	REL		2015-07-02	

PCB CONNECTIONS



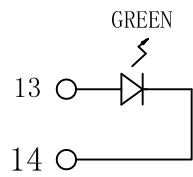
RJ45 CONNECTOR

ELECTRICAL SPECIFICATIONS @25°C

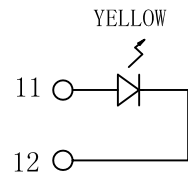
- Turn Ratio($\pm 2\%$):
Pri : Sec = 1CT : 1CT
- Inductance OCL:
150uH Min @100KHz, 0.1V
- Insertion Loss(dB Max):
1-50MHz:-0.5 50-125MHz:-1.0
- Return Loss(dB Min):
1-40MHz:-20
40-200MHz:-20+15*LOG₁₀(f/40)
- Cross talk(dB Min):
1-125MHz:-30
- Common Mode Rejection Ratio(dB Min):
30-200MHz:-30
- Common to Diff Rejection Ratio(dB Min):
10-125MHz:-45+f/35
- Hipot Test: 1500Vrms Min
- Operating Temperature: -40°C to +85°C.



Emitting Color	λ_p (nm)	VF@IF=20mA	IR @VR=5V
GREEN	565	1.8~2.6V	10 μ A max
YELLOW	585	1.8~2.6V	10 μ A max



LEFT LED

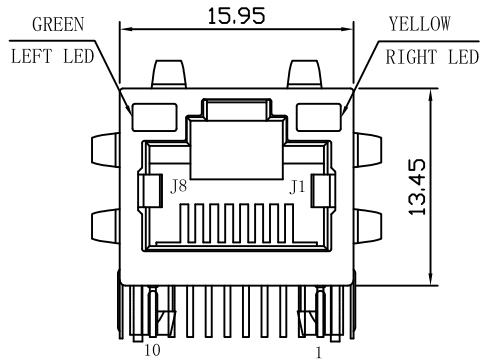


RIGHT LED

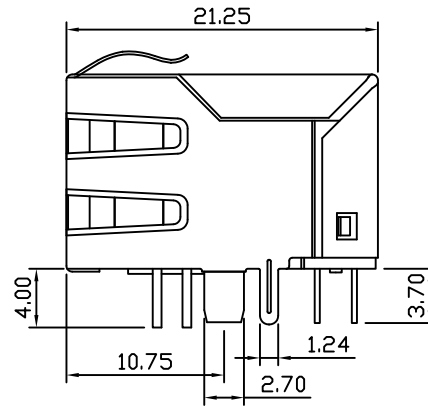
X:X ± 0.30	APPD:	LINK-PP INT'L TECHNOLOGY CO., LIMITED
X:XX ± 0.25	CHKD:	
X:XXX ± 0.05	DR: TOM	
ANGLES $\pm 1^\circ$	UNIT: mm	PART NO.: LPJG164934AENL
	SCALE: 2/1	SHEET: 1/2
	REV: A	DWG NO.: LP19112806

Mechanical:

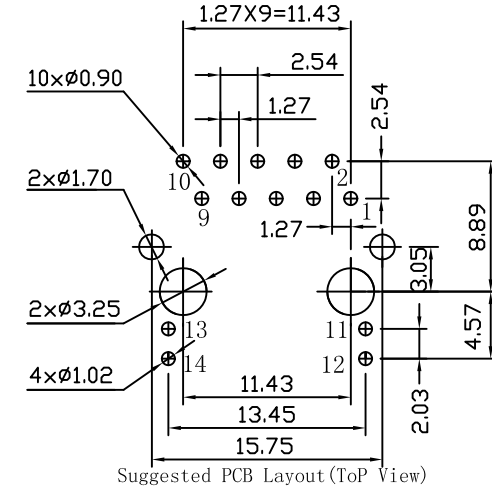
REV.	ECN NO.	DESCRIPTION	DATE	APPD
A	REL		2015-07-02	



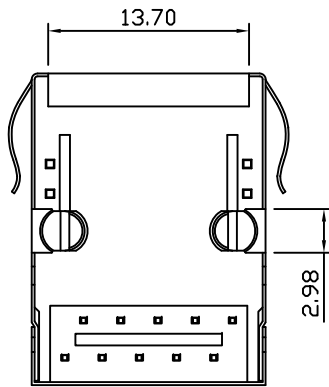
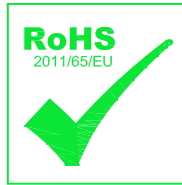
Front Side View



Left Side View



Suggested PCB Layout (Top View)



Bottom Side View



Top Side View

NOTES:

1. Designed to support application, such as SOHO (ADSL modems), LAN-on-Motherboard (LOM), hub and Switches.
2. Meets IEEE 802.3 specification
3. Connector Materials:
Housing: Thermoplastic PBT+30%G. F UL94V-0
Contact: Phosphor Bronze C5210R-EH Thickness=0.35mm
Pins: Brass C2680R-H Thickness=0.35mm
Shield: SUS 201-1/2H Thickness=0.2mm
Contact plating: Gold 6 micro-inches min. In contact area.
4. Wave solder tip temperature: 265°C Max, 5 Sec.
5. UL Certification: File Number E484635.

X:X ±0.30	APPD:	LINK-PP INT'L TECHNOLOGY CO., LIMITED		
X:XX ±0.25	CHKD:	TITLE: RJ45 Connector with 2.5G Base-T Integrated Magnetics		
X:XXX ±0.05	DR: TOM	PART NO.: LPJG164934AENL		
ANGLES ±1°	UNIT: mm			
	SCALE: 2/1	SHEET: 2/2	REV: A	DWG NO.: LP19112806