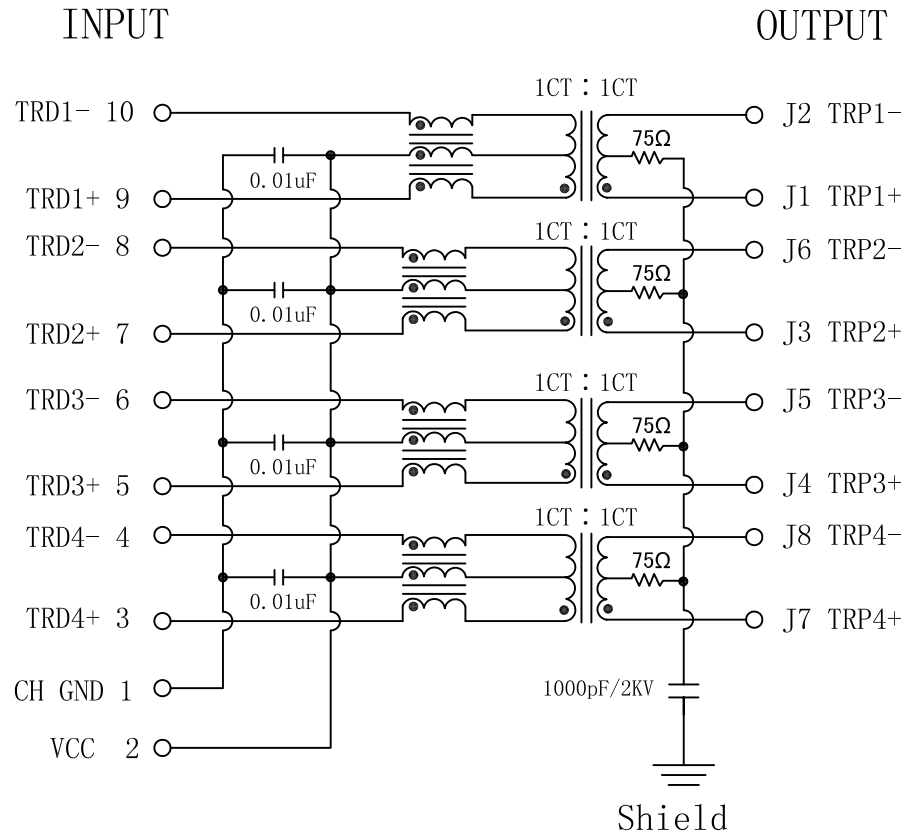
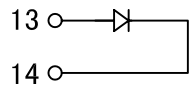


Schematic:

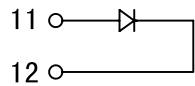
REV.	ECN NO.	DESCRIPTION	DATE	APPD
A	REL		2011/04/09	



GREEN/LEFT LED



YELLOW/RIGHT LED



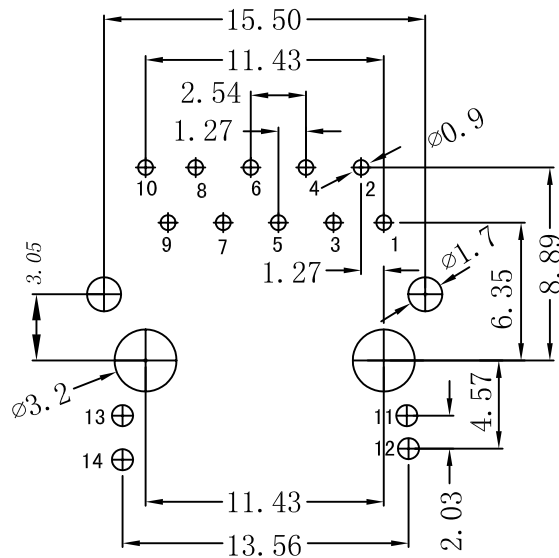
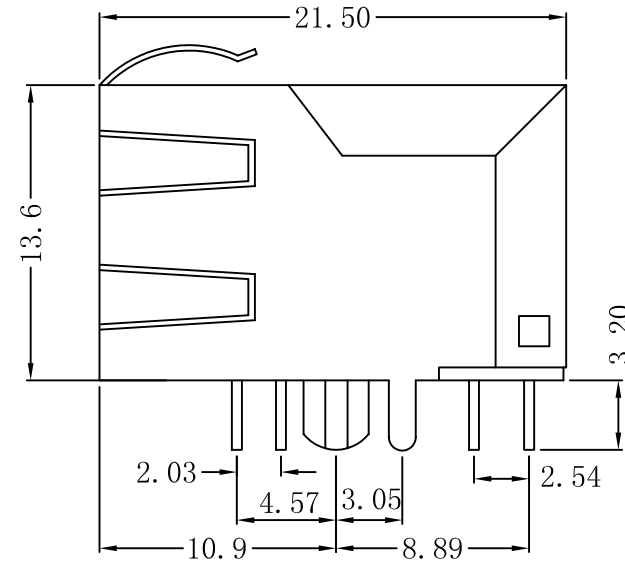
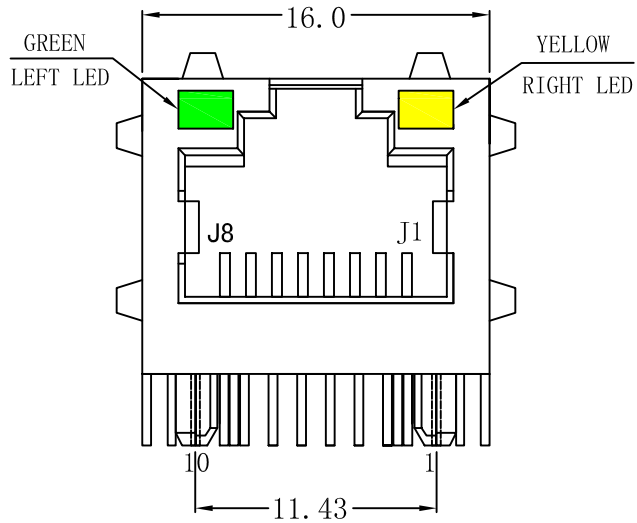
Electrical Specifications @25°C

- Turns Ratio: (PRI/SEC)
1CT : 1CT ±2%
- OCL:
400uH Min @ 100KHz, 0.1Vrms, 8mADC 25°C
350uH Min @ 100KHz, 0.1Vrms, 8mADC
- Insertion Loss:
0.1-100MHz: -1.0dB Max
- Return Loss (dB Min):
1-40MHz: -18dB Min
40.1-100MHz: -[12-20LOG(f/80)] dB Min
- Crosstalk (dB MAX):
1-10MHz: -[50.8+8.8LOG(f/10)]
10.1-100MHz: -[26-16.8LOG(f/100)]
- Common Mode Rejection Ratio:
1-270MHz: -[57+38LOG(f/270)] dB MAX
270.1-300MHz: -[17-2LOG(f/30)] dB MAX
300.1-500MHz: -17dB MAX
- Differential Common Mode Rejection :
1-29.9MHz: -[40.2+5.3LOG(f/30)] dB MAX
30-500MHz: -[22-14LOG(f/250)] dB MAX
- Isolation Voltage: 1500Vrms
- Operating Temperature: -40°C ~ +85°C

X:X	±0.20	APPD:	LINK-PP INT'L TECHNOLOGY CO., LIMITED	
X:XX	±0.10	CHKD:	Title: RJ45 Connector With 1000 Base-TX Integrated Magnetic	
X:XXX	±0.05	DR: TOM		
ANGLES	±1°	UNIT: mm	PART NO.:	LPJG16484AENL
	SCALE: 2/1	SHEET: 1/2	REV: A	DWG NO.: LP11040903

Mechanical :

REV.	ECN NO.	DESCRIPTION	DATE	APPD
A	REL		2011/04/09	



Suggested PCB Layout (TOP VIEW)



NOTES:

1. Designed to support application, such as SOHO (ADSL modems), LAN-on-Motherboard (LOM), hub and Switches.
2. Meets IEEE 802.3 specification
3. Connector Materials:
Housing: Thermoplastic UL94V-0
Contact/Shield: Copper alloy
Shield plating: Nickel
Contact plating: Gold 6 micro-inches min. In contact area.
4. Wave solder tip temperature: 265°C Max
Wave solder tip temperature time: 5 Sec Max

X:X	±0.20	APPD:	LINK-PP INT'L TECHNOLOGY CO., LIMITED	
X:XX	±0.10	CHKD:	Title: RJ45 Connector With 1000 Base-TX Integrated Magnetic	
X:XXX	±0.05	DR: TOM	PART NO. : LPJG16484AENL	
ANGLES	±1°	UNIT: mm	DWG NO. : LP11040903	
	SCALE: 2/1	SHEET: 2/2	REV: A	