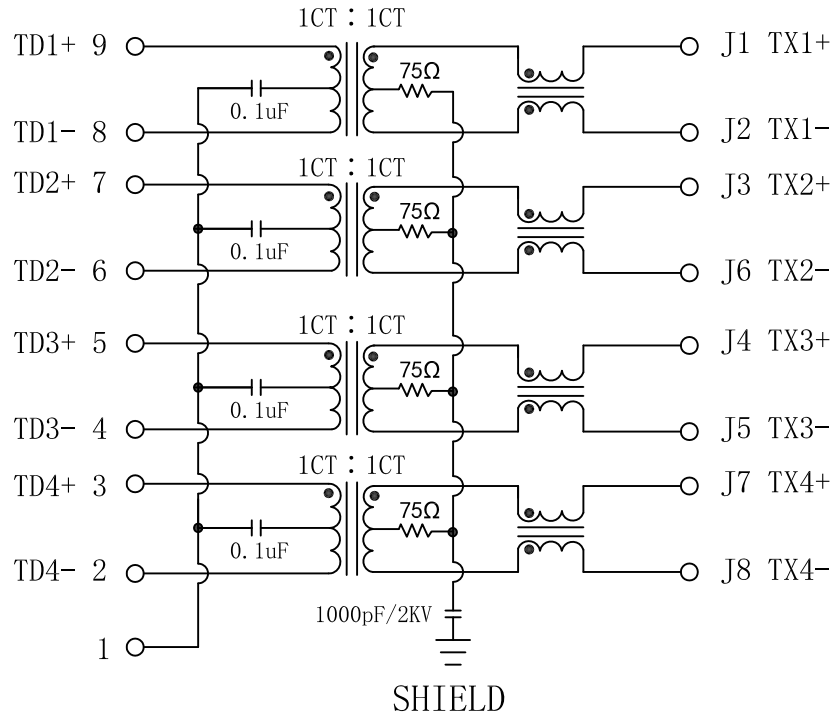


Schematic:

REV.	ECN NO.	DESCRIPTION	DATE	APPD
A	REL		2017-04-10	

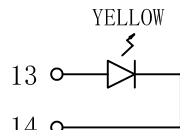
PC BOARD CONNECTIONS



RJ45 CONNECTOR

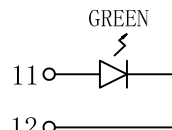
Electrical Specifications @25°C

- Turns Ratio:
Pri : Sec = 1CT : 1CT ±5%
- OCL (@100KHz 0.1V 8mA): 350uH Min
- Insertion Loss (dB Max):
1-100MHz: -1.0 100-125MHz: -1.2
- Return Loss (dB Min):
1-40MHz: -16 40-60MHz: -12
60-80MHz: -10 80-100MHz: -8
- Crosstalk:
1-100MHz: -30 dB Min
- Common to Common Mode Attenuation:
1-100MHz: -30dB Min
- Isolation: 1500Vrms
- Operating Temperature: -40°C ~ +85°C.



LEFT LED

LED POLARITY		COLOR
PIN 13	PIN 14	
+	-	YELLOW



RIGHT LED

LED POLARITY		COLOR
PIN 11	PIN 12	
+	-	GREEN

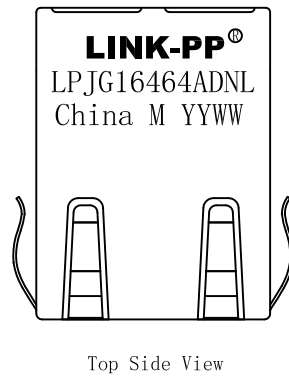
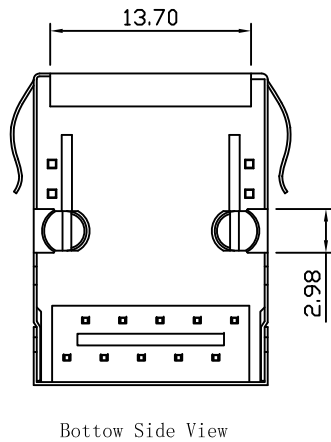
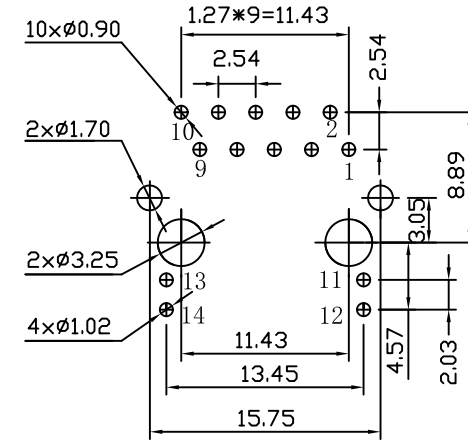
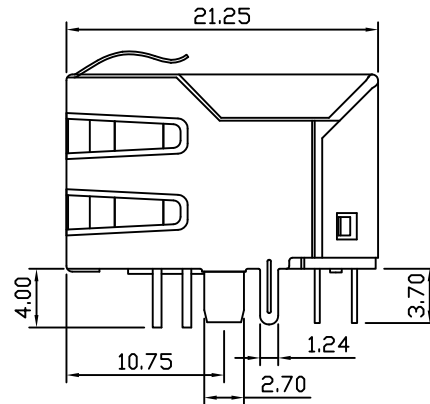
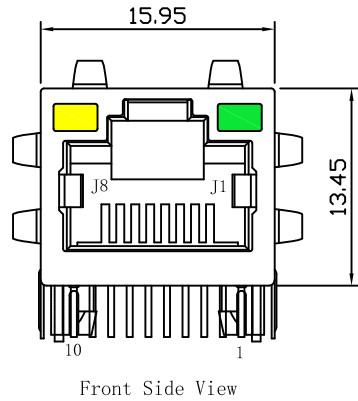
Emitting Color	λ p(nm)	VF@IF=20mA	IR @VR=5V
GREEN	565	1.8~2.6V	10 μ A max
YELLOW	585	1.8~2.6V	10 μ A max



X:X ±0.25	APPD:	LINK-PP INT'L TECHNOLOGY CO., LIMITED
X:XX ±0.20	CHKD:	
X:XXX ±0.05	DR: SEA	TITLE: RJ45 Connector with 1000 Base-T Integrated Magnetics
ANGLES ±1°	UNIT: mm	PART NO.: LPJG16464ADNL
	SCALE: 2/1	SHEET: 1/2
	REV: A	DWG NO.: LP17041012

Mechanical:

REV.	ECN NO.	DESCRIPTION	DATE	APPD
A	REL		2017-04-10	



NOTES:

1. Designed to support application, such as SOHO (ADSL modems), LAN-on-Motherboard (LOM), hub and Switches.
2. Meets IEEE 802.3 specification
3. Connector Materials:
 Housing Material: Thermoplastic PBT+30%G. F UL94V-0
 Contact Material: Phosphor Bronze C5210R-EH Thickness=0.35mm
 Pins: Brass C2680R-H Thickness=0.35mm
 Shield: SUS 201-1/2H Thickness=0.2mm
 Contact plating: Gold 6 micro-inches min. In contact area.
4. Wave solder tip temperature: 265°C Max, 5 Sec.
5. UL Certification: File Number E484635.

X:X ±0.25	APPD:	LINK-PP INT'L TECHNOLOGY CO., LIMITED
X:XX ±0.20	CHKD:	
X:XXX ±0.05	DR: SEA	TITLE: RJ45 Connector with 1000 Base-T Integrated Magnetics
ANGLES ±1°	UNIT: mm	PART NO.: LPJG16464ADNL
	SCALE: 2/1	SHEET: 2/2
	REV: A	DWG NO.: LP17041012