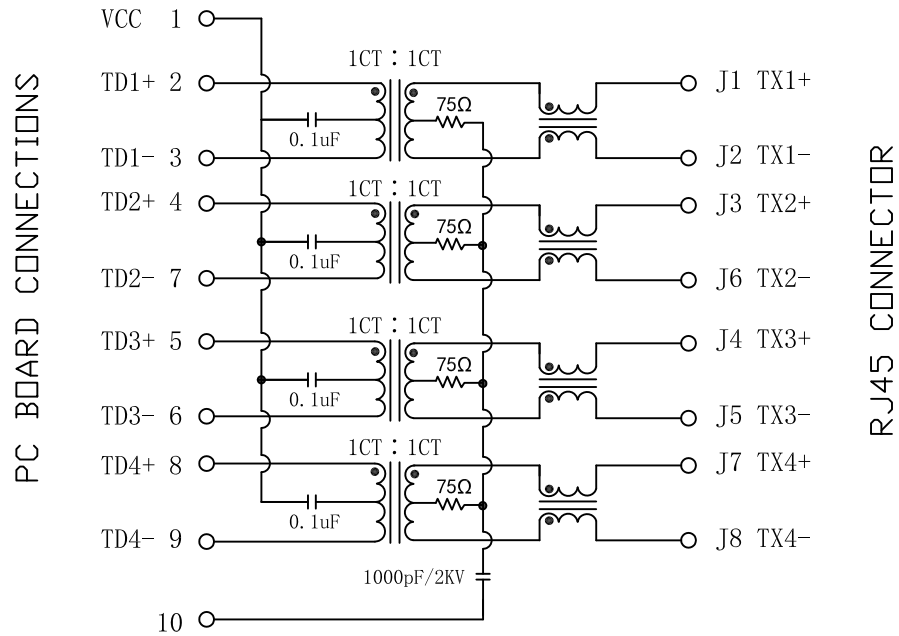


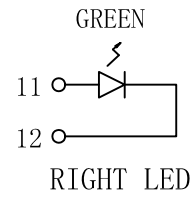
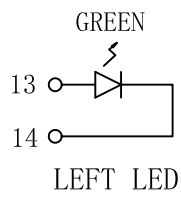
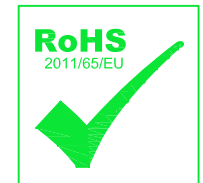
# Schematic:

| REV. | ECN NO. | DESCRIPTION | DATE       | APPD |
|------|---------|-------------|------------|------|
| A    | REL     |             | 2016-04-07 |      |



## Electrical Specifications @25°C

1. Impedance: 100 ohms
2. OCL: 350uH Min  
@ 100KHz, 0.1Vrms, 8mADC BIAS
3. Turns Ratio(±3%):  
Pri:Sec = 1CT:1CT
4. Insertion Loss:  
0.1-100MHz:-1.0dB Max  
100-125MHz:-1.2dB Max
5. Return Loss(dB Min):  
0.5-40MHz:-18  
40.1-100MHz:-12-20Log(F/80)
6. Crosstalk(dB Min):  
0.1-100MHz:-33-20Log(F/50)
7. Common Mode Rejection Ratio:  
0.1-100MHz:-32.0 dB Min
8. Hipot: 1500Vrms
9. Operating Temperature: -40°C ~+85°C.

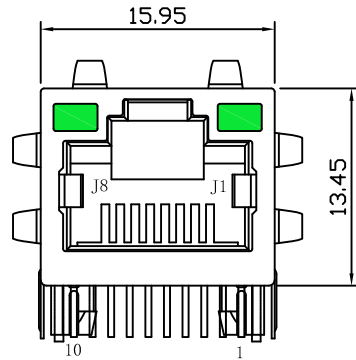


| Emitting Color | λ p(nm) | VF@IF=20mA | IR @VR=5V  |
|----------------|---------|------------|------------|
| GREEN          | 565     | 1.8~2.6V   | 10 μ A max |

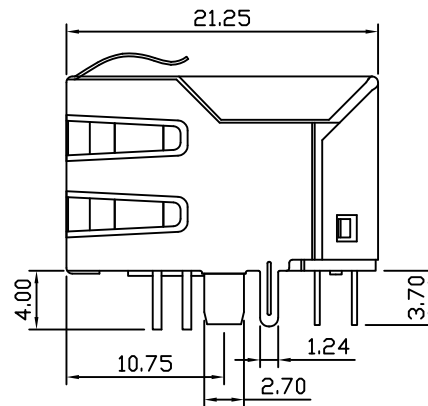
|             |            |                                                             |        |  |
|-------------|------------|-------------------------------------------------------------|--------|--|
| X:X ±0.30   | APPD:      | LINK-PP INT'L TECHNOLOGY CO., LIMITED                       |        |  |
| X:XX ±0.25  | CHKD:      | TITLE: RJ45 Connector with 1000 Base-T Integrated Magnetics |        |  |
| X:XXX ±0.05 | DR: TOM    | PART NO.: LPJG16457AFNL                                     |        |  |
| ANGLES ±1°  | UNIT: mm   | DWG NO.: LP16040725                                         |        |  |
|             | SCALE: 2/1 | SHEET: 1/2                                                  | REV: A |  |

# Mechanical:

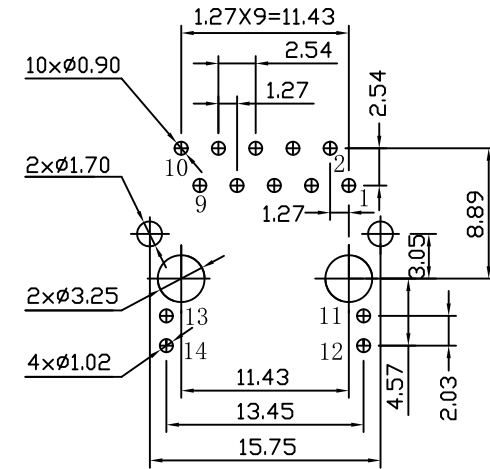
| REV. | ECN NO. | DESCRIPTION | DATE       | APPD |
|------|---------|-------------|------------|------|
| A    | REL     |             | 2016-04-07 |      |



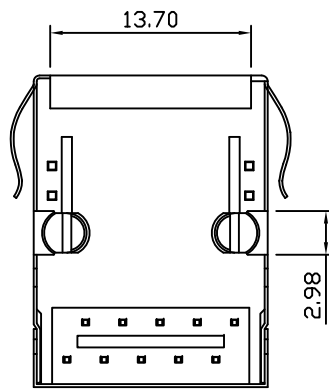
Front Side View



Left Side View



Suggested PCB Layout (Top View)



Bottom Side View



Top Side View

## NOTES:

1. Designed to support application, such as SOHO (ADSL modems), LAN-on-Motherboard (LOM), hub and Switches.
2. Meets IEEE802.3 specification.
3. Connector Materials:  
 Housing: Thermoplastic PBT+30%G. F UL94V-0  
 Contact: Phosphor Bronze C5210R-EH Thickness=0.35mm  
 Pins: Brass C2680R-H Thickness=0.35mm  
 Shield: SUS 201-1/2H Thickness=0.2mm  
 Contact plating: Gold 6 micro-inches min. In contact area.
4. Wave solder tip temperature: 265°C Max, 5 Sec Max.
5. UL Certification: File Number E484635.

|        |            |            |                                                             |  |
|--------|------------|------------|-------------------------------------------------------------|--|
| X:X    | ±0.30      | APPD:      | LINK-PP INT'L TECHNOLOGY CO., LIMITED                       |  |
| X:XX   | ±0.25      | CHKD:      | TITLE: RJ45 Connector with 1000 Base-T Integrated Magnetics |  |
| X:XXX  | ±0.05      | DR: TOM    | PART NO.: LPJG16457AFNL                                     |  |
| ANGLES | ±1°        | UNIT: mm   | DWG NO.: LP16040725                                         |  |
|        | SCALE: 2/1 | SHEET: 2/2 | REV: A                                                      |  |