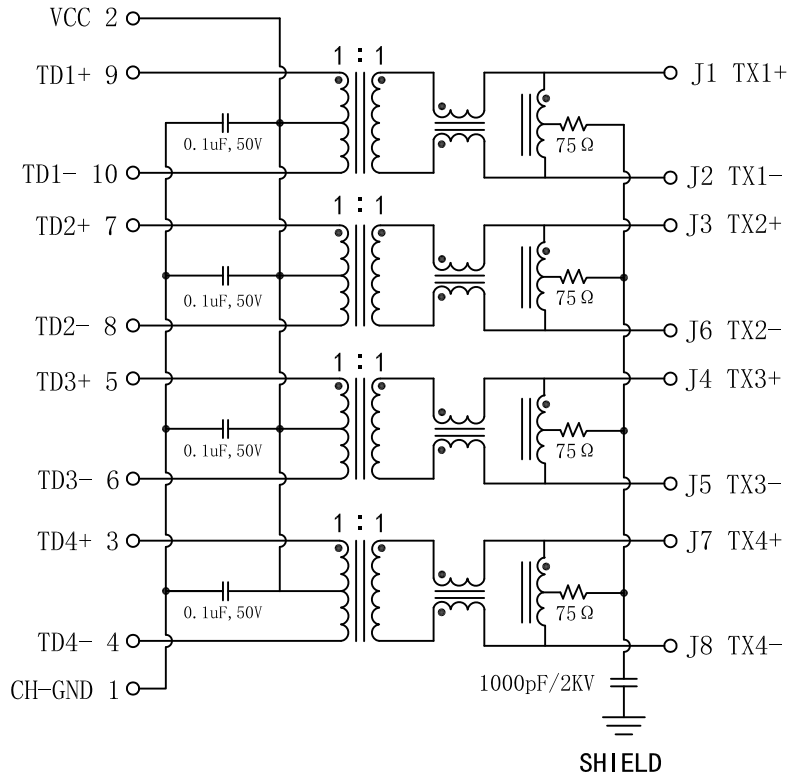


Schematic:

REV.	ECN NO.	DESCRIPTION	DATE	APPD
A	REL		2008-12-02	

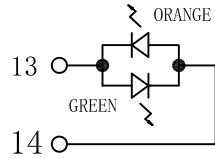
PC BOARD CONNECTIONS



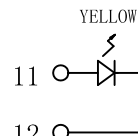
RJ45 CONNECTOR

Electrical Specifications: @25°C

- Turns Ratio:
1CT : 1
- Insertion Loss:
0.5-100MHz: -1.1dB Max
- Return Loss (dB Min):
0.5-40MHz: -18
40.1-100MHz: -12-20 LOG(f/80)
- Crosstalk (dB Min):
0.5-40MHz: -35
40.1-100MHz: -33-20LOG(f/50)
- Common Mode Rejection Ratio:
0.5-100MHz: -30dB Min
- OCL: 350uH Min
@100KHz, 0.1Vrms, 8mA DC Bias:
- Hipot: 1500Vrms Min
- Operating Temperature: -40°C ~ +85°C.



LEFT LED



RIGHT LED

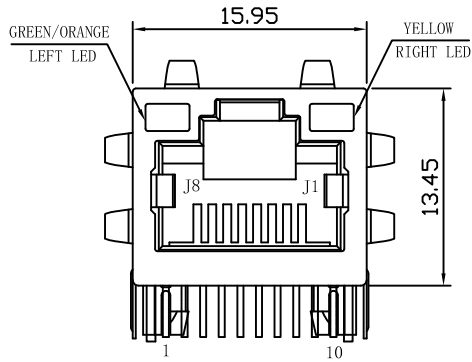


Emitting Color	λ p(nm)	V _F @I _F =20mA	I _R @V _R =5V
GREEN / ORANGE	565 / 610	1.8~2.6V	10 μ A max
YELLOW	585	1.8~2.6V	10 μ A max

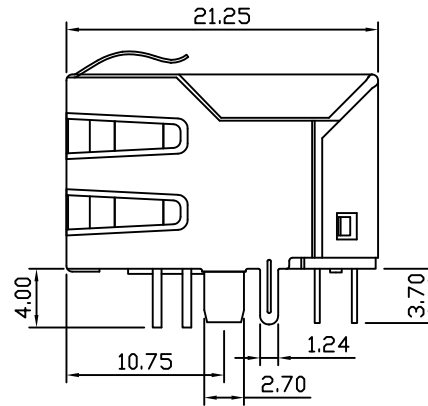
X:X	± 0.30	APPD:	LINK-PP INT'L TECHNOLOGY CO., LIMITED	
X:XX	± 0.25	CHKD:	TITLE: RJ45 Connector with 1000 Base-T Integrated Magnetics	
X:XXX	± 0.05	DR: TOM	PART NO.: LPJG16414A37NL	
ANGLES	$\pm 1^\circ$	UNIT: mm	DWG NO.: LP08120218	
SCALE: 2/1		SHEET: 1/2		REV: A

Mechanical:

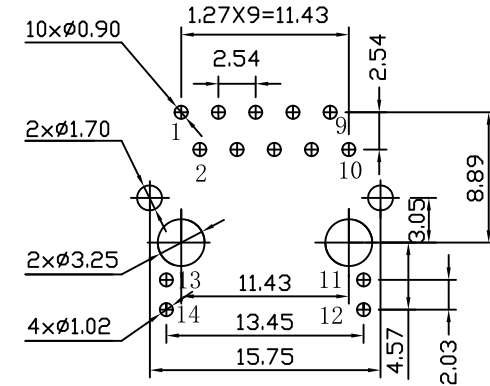
REV.	ECN NO.	DESCRIPTION	DATE	APPD
A	REL		2008-12-02	



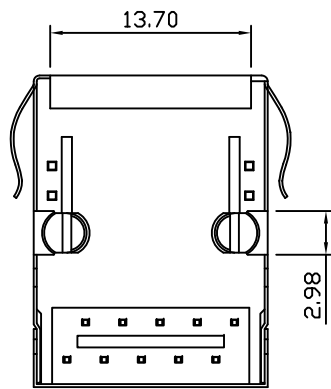
Front Side View



Left Side View



Suggested PCB Layout (Top View)



Bottom Side View



Top Side View

NOTES:

1. Designed to support application, such as SOHO (ADSL modems), LAN-on-Motherboard (LOM), hub and Switches.
2. Meets IEEE 802.3 specification
3. Connector Materials:
Housing: Thermoplastic PBT+30%G.F UL94V-0
Contact: Phosphor Bronze C5210R-EH Thickness=0.35mm
Pins: Brass C2680R-H Thickness=0.35mm
Shield: SUS 201-1/2H Thickness=0.2mm
Contact plating: Gold 6 micro-inches min. In contact area.
4. Wave solder tip temperature: 265°C Max, 5 Sec Max.

X:X ±0.30	APPD:	LINK-PP INT'L TECHNOLOGY CO., LIMITED
X:XX ±0.25	CHKD:	
X:XXX ±0.05	DR: TOM	TITLE: RJ45 Connector with 1000 Base-T Integrated Magnetics
ANGLES ±1°	UNIT: mm	PART NO.: LPJG16414A37NL
	SCALE: 2/1	SHEET: 2/2
	REV: A	DWG NO.: LP08120218