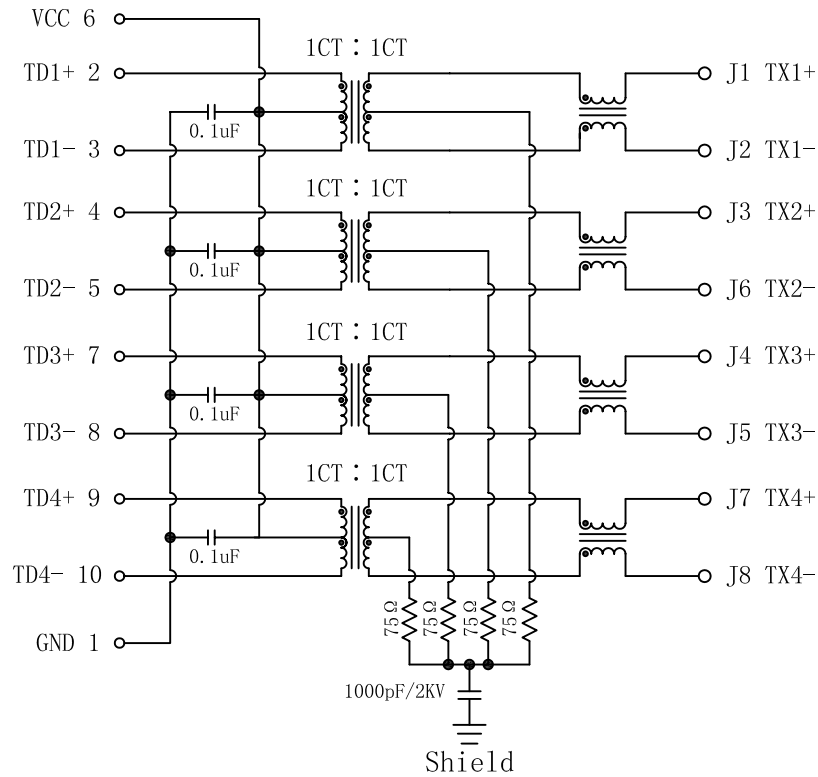


# Schematic:

REV.	ECN NO.	DESCRIPTION	DATE	APPD
A	REL		2011/10/06	

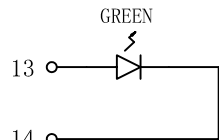
PC BOARD CONNECTIONS



RJ45 CONNECTOR

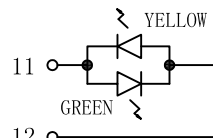
## Electrical Specifications @25°C

1. Impedance: 100 ohms
2. OCL: 350uH Min  
@ 100KHz, 0.1Vrms, 8mADC BIAS
3. Turns Ratio: 1CT : 1CT
4. Insertion Loss:  
1~100MHz: -1.0dB Max  
100~125MHz: -1.2dB Max
5. Return Loss:  
1~30MHz: -18dB Min. load 100 Ω  
30~60MHz: -16dB Min. load 100 Ω  
60~80MHz: -12dB Min. load 100 Ω  
80~100MHz: -10dB Min. load 100 Ω
6. Crosstalk:  
1~100MHz: -30dB Min
7. Common Mode Rejection:  
1~100MHz: -30 dB Min
8. Hipot: 1500Vrms
9. Operating Temperature: 0°C ~ 70°C



LEFT LED

LED POLARITY		COLOR
PIN 13	PIN 14	
+	-	GREEN



RIGHT LED

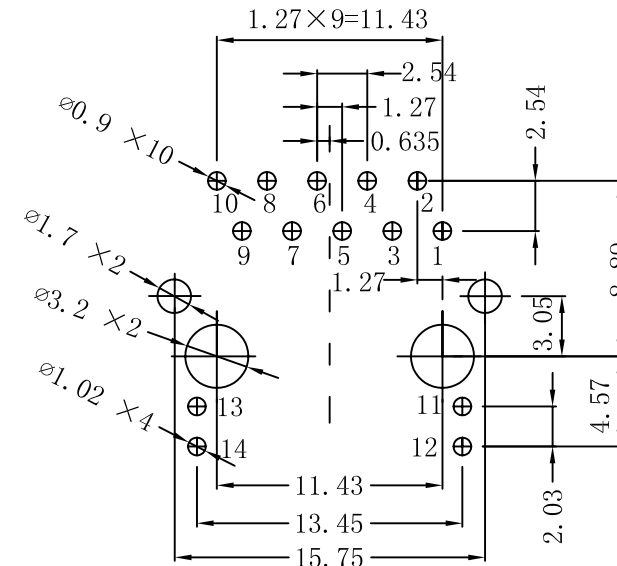
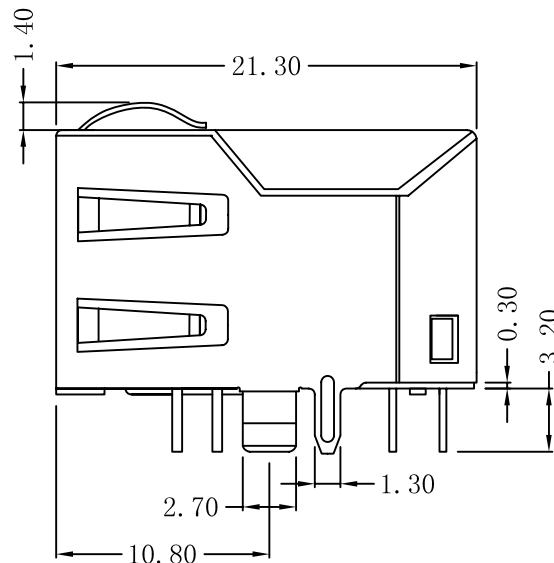
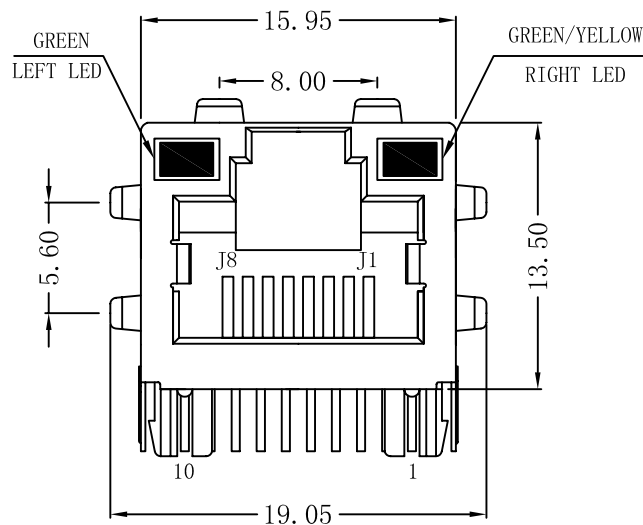
LED POLARITY		COLOR
PIN 11	PIN 12	
+	-	GREEN
-	+	YELLOW



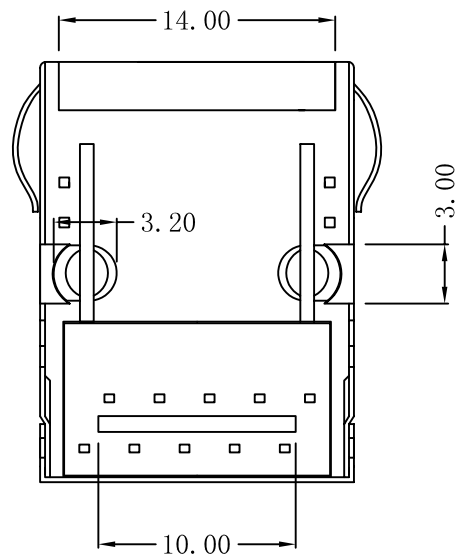
X:X	±0.20	APPD:	<b>LINK-PP</b> LINK-PP INT'L TECHNOLOGY CO., LIMITED
X:XX	±0.10	CHKD:	
X:XXX	±0.05	DR: TOM	TITLE: Through Hole Tab-Up RJ45 Jack With 10/100/1000 Base-TX Magnetic
ANGLES	±1°	UNIT: mm	PART NO.: LPJG16394A30NL
	SCALE: 2/1	SHEET: 1/2	REV: A
			DWG NO.: LP11100606

# Mechanical :

REV.	ECN NO.	DESCRIPTION	DATE	APPD
A	REL		2011/10/06	



SUGGESTED PCB LAYOUT(TOP VIEW)



## NOTES:

1. Designed to support application, such as SOHO (ADSL modems), LAN-on-Motherboard (LOM), hub and Switches.
2. Meets IEEE 802.3 specification
3. Connector Materials:  
 Housing: Thermoplastic UL94V-0  
 Contact/Shield: Copper alloy  
 Shield plating: Nickel  
 Contact plating: Gold 6 micro-inches min. In contact area.
4. Wave solder tip temperature: 265°C Max  
 Wave solder tip temperature time: 5 Sec Max



X:X	±0.20	APPD:	<b>LINK-PP</b>
X:XX	±0.10	CHKD:	
X:XXX	±0.05	DR: TOM	TITLE: Through Hole Tab-Up RJ45 Jack With 10/100/1000 Base-TX Magnetic
ANGLES	±1°	UNIT: mm	PART NO.: LPJG16394A30NL
	SCALE: 2/1	SHEET: 2/2	REV: A DWG NO.: LP11100606