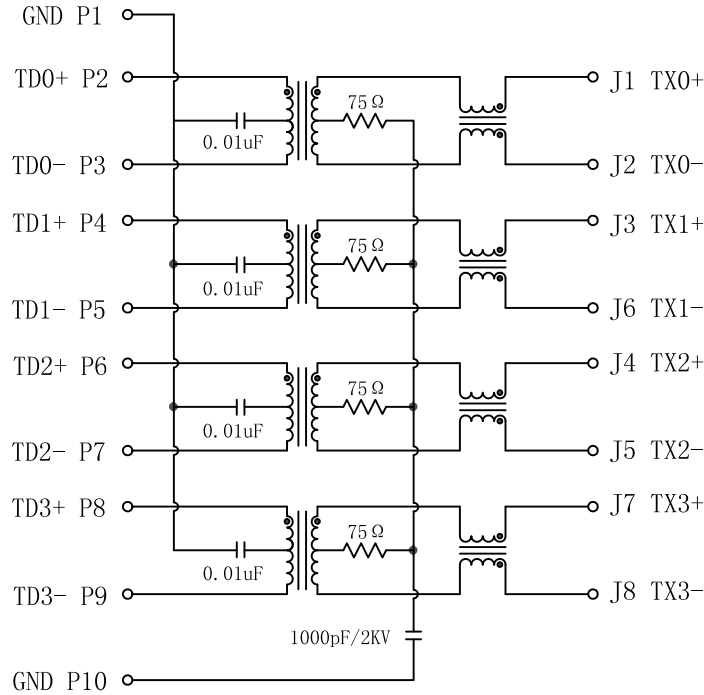


Schematic:

REV.	ECN NO.	DESCRIPTION	DATE	APPD
A	REL		2008-12-02	

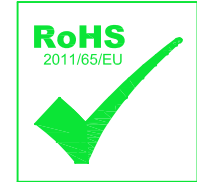
PC BOARD CONNECTIONS



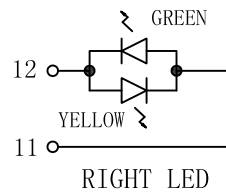
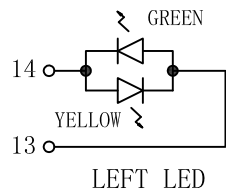
RJ45 CONNECTOR

ELECTRICAL SPECIFICATIONS @25°C

- Turn Ratio ($\pm 2\%$):
Pri : Sec = 1CT : 1CT
- Inductance OCL: 350uH Min
@100KHz, 0.1V, 8mA DC Bias
- Insertion Loss:
-0.5dB Max @ 1-65MHz
-0.8dB Max @ 65-100MHz
-1.2dB Max @ 100-125MHz
- Return Loss:
-16dB Min. (Load 100 OHM) @ 1-30MHz
-13.5dB Min. (Load 100 OHM) @ 30-40MHz
-11.5dB Min. (Load 100 OHM) @ 40-50MHz
-10dB Min. (Load 100 OHM) @ 60-80MHz
- Cross talk:
-30dB MIN @ 1-100MHz
- Common Mode Rejection:
-30dB MIN @ 1-100MHz
- Hipot Test: 1500Vrms MIN
- Operating Temperature : 0°C to 70°C.

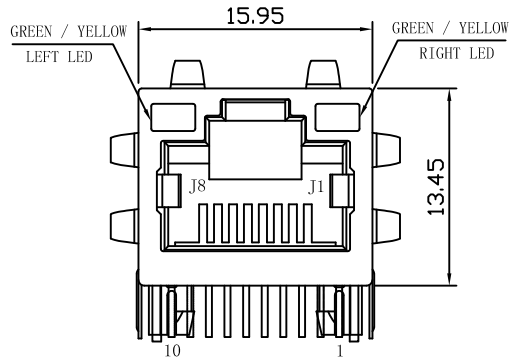


Emitting Color	λ_p (nm)	VF@IF=20mA	IR @VR=5V
GREEN	565	1.8~2.6V	10 μ A max
YELLOW	585	1.8~2.6V	10 μ A max

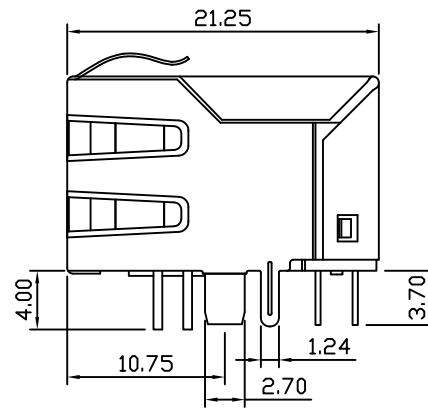


X:X ± 0.30	APPD:	LINK-PP INT'L TECHNOLOGY CO., LIMITED
X:XX ± 0.25	CHKD:	
X:XXX ± 0.05	DR: TOM	TITLE: RJ45 Connector with 1000 Base-T Integrated Magnetics
ANGLES $\pm 1^\circ$	UNIT: mm	PART NO. : LPJG16343A4NL
	SCALE: 2/1	SHEET: 1/2
	REV: A	DWG NO. : LP08120230

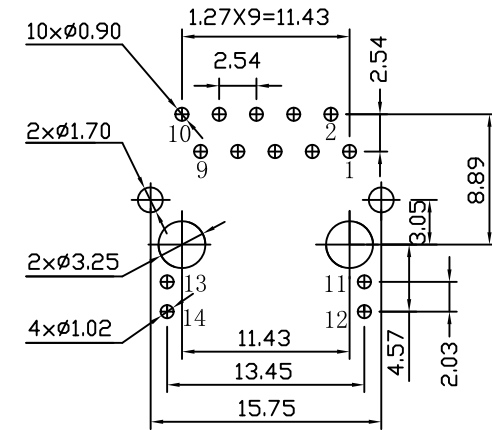
REV.	ECN NO.	DESCRIPTION	DATE	APPD
A	REL		2008-12-02	



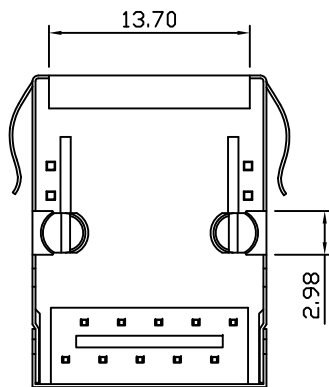
Front Side View



Left Side View



Suggested PCB Layout (Top View)



Bottom Side View



Top Side View

NOTES:

1. Designed to support application, such as SOHO (ADSL modems), LAN-on-Motherboard (LOM), hub and Switches.
2. Meets IEEE 802.3 specification
3. Connector Materials:
Housing: Thermoplastic PBT+30%G.F UL94V-0
Contact: Phosphor Bronze C5210R-EH Thickness=0.35mm
Pins: Brass C2680R-H Thickness=0.35mm
Shield: SUS 201-1/2H Thickness=0.2mm
Contact plating: Gold 6 micro-inches min. In contact area.
4. Wave solder tip temperature: 265°C Max, 5 Sec.
5. UL Certification: File Number E484635.

X:X ±0.30	APPD:	LINK-PP INT'L TECHNOLOGY CO., LIMITED
X:XX ±0.25	CHKD:	
X:XXX ±0.05	DR: TOM	TITLE: RJ45 Connector with 1000 Base-T Integrated Magnetics
ANGLES ±1°	UNIT: mm	PART NO.: LPJG16343A4NL
	SCALE: 2/1	SHEET: 2/2
	REV: A	DWG NO.: LP08120230