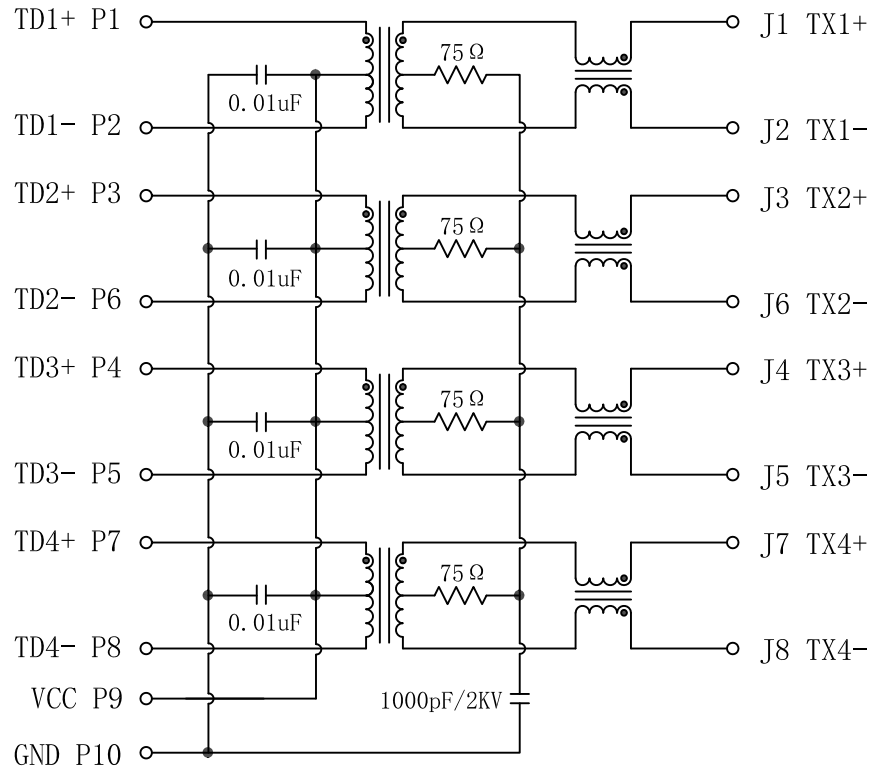


Schematic:

REV.	ECN NO.	DESCRIPTION	DATE	APPD
A	REL		2011/02/11	

PCB CONNECTIONS

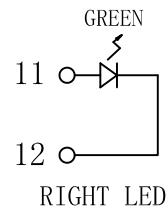
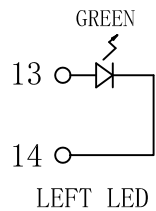


RJ45 CONNECTOR

Electrical Specifications @ 25°C

- Turns Ratio ($\pm 3\%$):
Pri : Sec = 1CT : 1CT
- INDUCTANCE (@100KHz, 100mV, 8mA DC Bias):
J1-J2; J3-J6; J4-J5; J7-J8: 350uH Min
- Insertion Loss:
1~100MHz: -1.1dB Max
- Return Loss (dB Min):
1~40MHz: -18 60MHz: -14
80MHz: -12 100MHz: -10
- Crosstalk (dB Typ):
1~100MHz: -35
- Common Mode Rejection (dB Typ):
0.1~30MHz: -50 30~60MHz: -40
60~100MHz: -35
- Isolation Voltage: 1500Vrms
- Operating Temperature Range: 0°C ~ 70°C.

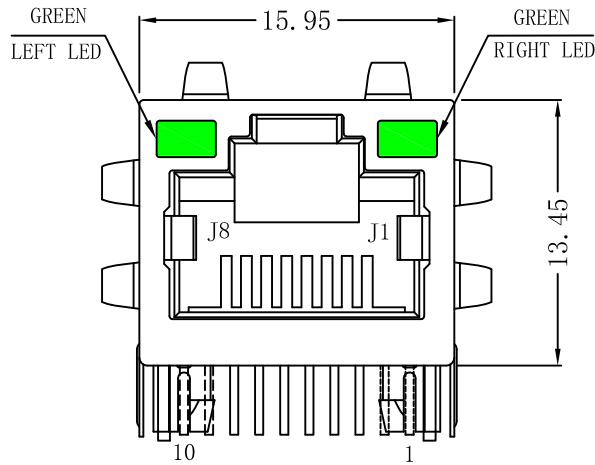
Emitting Color	λ p(nm)	VF@IF=20mA	IR @VR=5V
GREEN	565	1.8~2.6V	10 μ A max



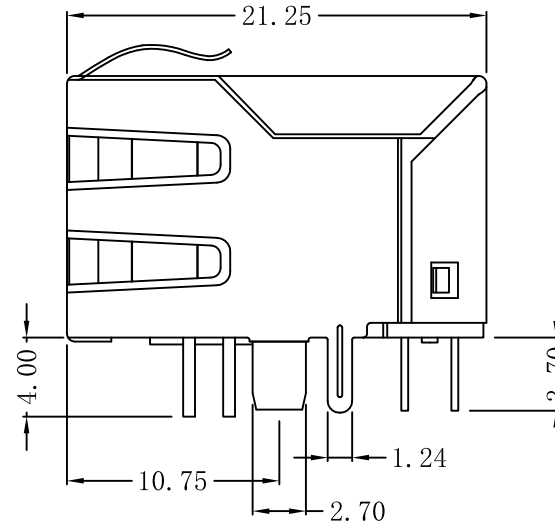
X:X	± 0.30	APPD:	LINK-PP INT'L TECHNOLOGY CO., LIMITED
X:XX	± 0.25	CHKD:	
X:XXX	± 0.05	DR: TOM	
ANGLES	$\pm 1^\circ$	UNIT: mm	TITLE: RJ45 Connector With 1000 Base-TX Integrated Magnetic
			PART NO.: LPJG16313AFNL
	SCALE: 2/1	SHEET: 1/2	REV: A
			DWG NO.: LP11021143

Mechanical:

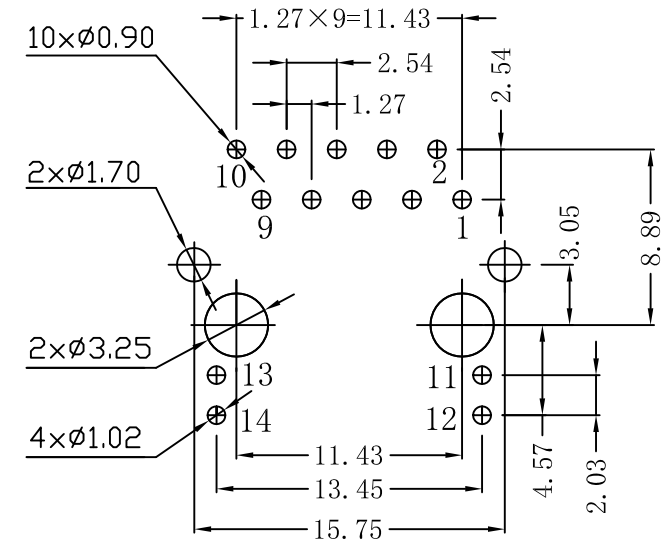
REV.	ECN NO.	DESCRIPTION	DATE	APPD
A	REL		2011/02/11	



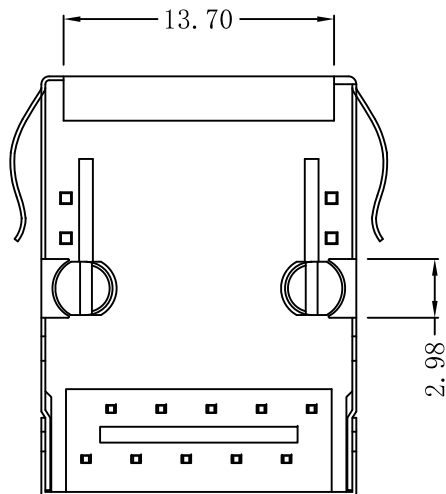
Front Side View



Left Side View



Suggested PCB Layout (Top View)



Bottom Side View



Top Side View

NOTES:

1. Designed to support application, such as SOHO (ADSL modems), LAN-on-Motherboard (LOM), hub and Switches.
2. Meets IEEE 802.3 specification
3. Connector Materials:
Housing: Thermoplastic PBT+30%G. F UL94V-0
Contact: Phosphor Bronze C5210R-EH Thickness=0.35mm
Pins: Brass C2680R-H Thickness=0.35mm
Shield: SUS 201-1/2H Thickness=0.2mm
Contact plating: Gold 6 micro-inches min. In contact area.
4. Wave solder tip temperature: 265°C Max, 5 Sec Max.
5. UL Certification: File Number E484635.

X:X	±0.30	APPD:	LINK-PP INT'L TECHNOLOGY CO., LIMITED
X:XX	±0.25	CHKD:	
X:XXX	±0.05	DR: TOM	TITLE: RJ45 Connector With 1000 Base-TX Integrated Magnetic
ANGLES	±1°	UNIT: mm	PART NO.: LPJG16313AFNL
	SCALE: 2/1	SHEET: 2/2	REV: A DWG NO.: LP11021143