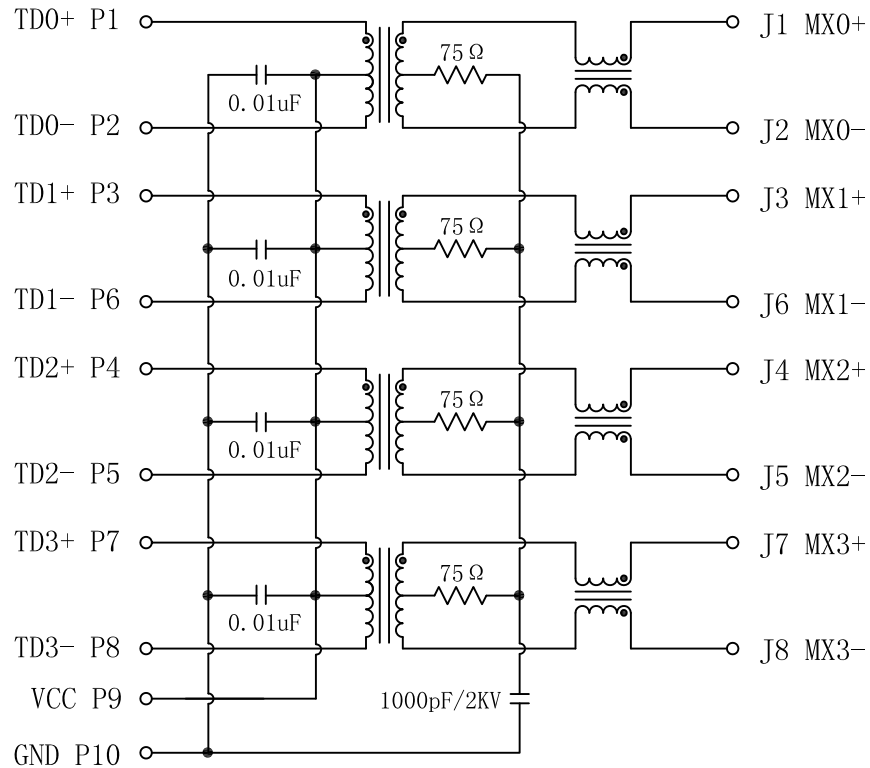


Schematic:

REV.	ECN NO.	DESCRIPTION	DATE	APPD
A	REL		2010/02/02	

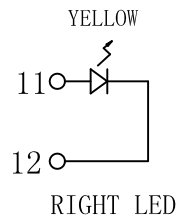
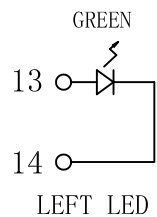
PCB

CABLE



Electrical Specifications @25°C

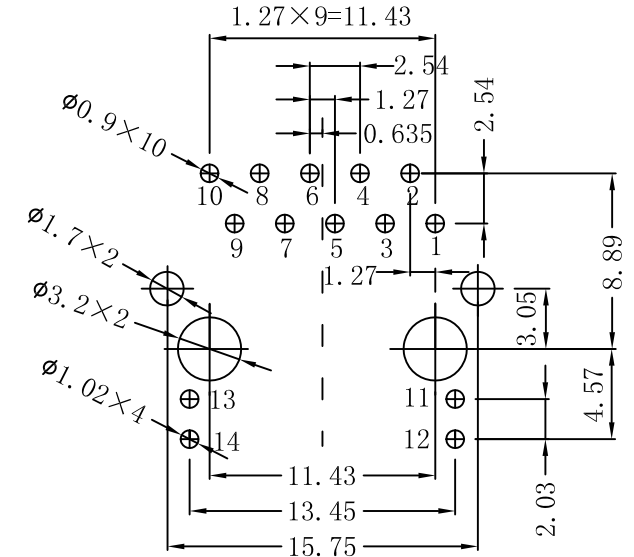
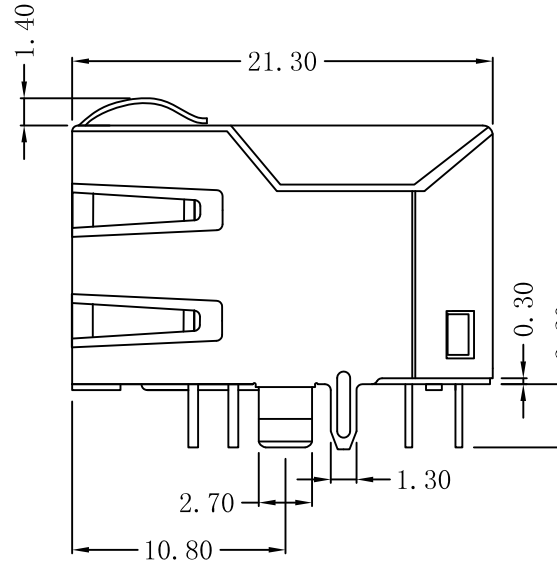
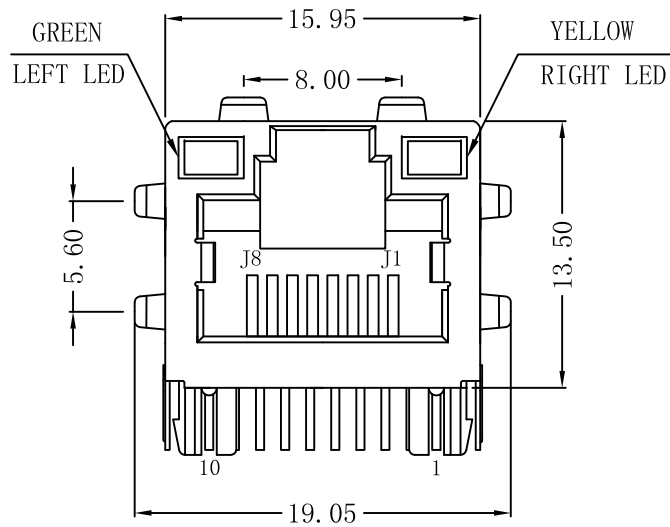
1. OCL (@100KHz 0.1V 8mA): 350uH Min
2. Turns Ratio: 1CT : 1CT ±3%
3. Insertion Loss:
 - 1-100MHz: -1.1dB Max
4. Return Loss (dB Min):
 - 1-40MHz: -18 60MHz: -14
 - 80MHz: -12 100MHz: -10
5. Crosstalk:
 - 1-100MHz: -35 dB Typ
6. Common Mode Rejection:
 - 0.1-30MHz: -50 dB Typ
 - 30-60MHz: -40dB Typ
 - 60-100MHz: -35dB Typ
7. Isolation: 1500Vrms
8. Operating Temperature: 0°C ~ 70°C



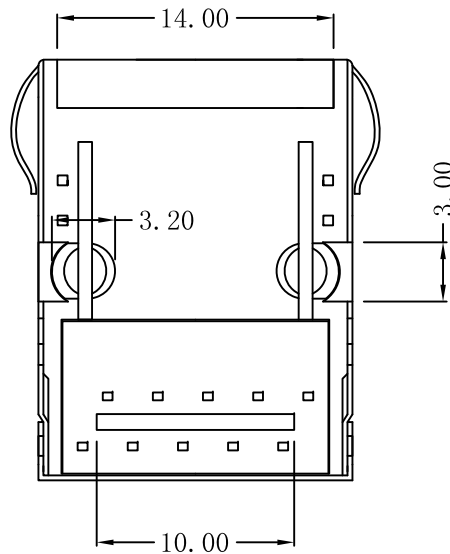
X:X	±0.30	APPD:	LINK-PP INT'L TECHNOLOGY CO., LIMITED	
X:XX	±0.25	CHKD:	TITLE: RJ45 Connector With 1000 Base-TX Integrated Magnetic	
X:XXX	±0.05	DR: TOM	PART NO.: LPJG16313AENL	
ANGLES	±1°	UNIT: mm		
	SCALE: 2/1	SHEET: 1/2	REV: A	DWG NO.: LP10020208

Mechanical:

REV.	ECN NO.	DESCRIPTION	DATE	APPD
A	REL		2010/02/02	



SUGGESTED PCB LAYOUT(TOP VIEW)



NOTES:

1. Designed to support application, such as SOHO (ADSL modems), LAN-on-Motherboard (LOM), hub and Switches.
2. Meets IEEE 802.3 specification
3. Connector Materials:
Housing: Thermoplastic UL94V-0
Contact/Shield: Copper alloy
Shield plating: Nickel
Contact plating: Gold 6 micro-inches min. In contact area.
4. Wave solder tip temperature: 265°C Max
Wave solder tip temperature time: 5 Sec Max



X:X	±0.30	APPD:	LINK-PP INT'L TECHNOLOGY CO., LIMITED
X:XX	±0.25	CHKD:	
X:XXX	±0.05	DR: TOM	TITLE: RJ45 Connector With 1000 Base-TX Integrated Magnetic
ANGLES	±1°	UNIT: mm	PART NO.: LPJG16313AENL
	SCALE: 2/1	SHEET: 2/2	REV: A DWG NO.: LP10020208