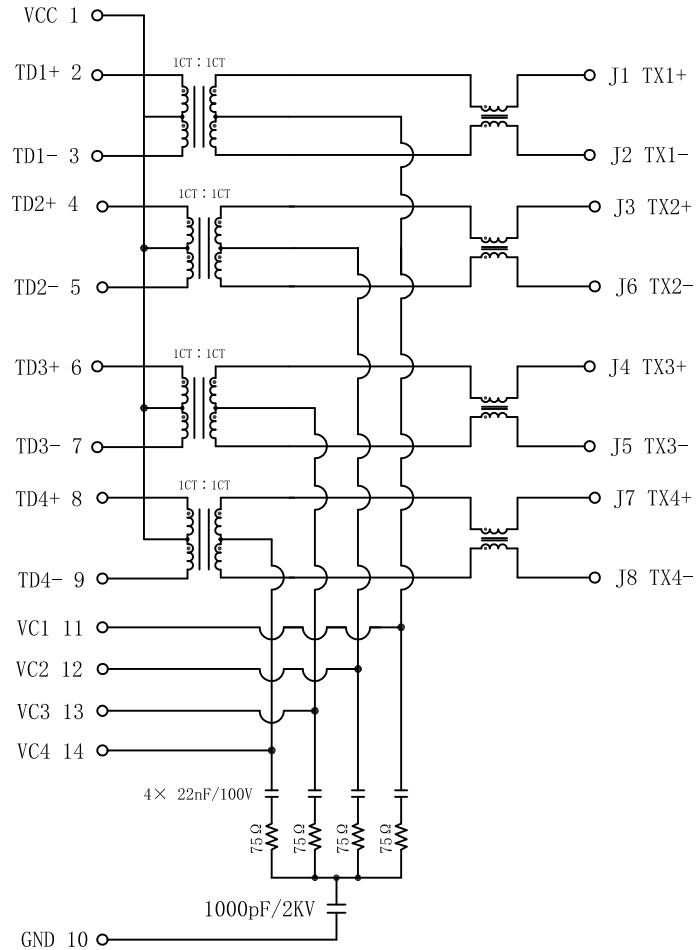


Schematic:

| REV. | ECN NO. | DESCRIPTION | DATE | APPD |
|------|---------|-------------|------------|------|
| A | REL | | 2018-04-20 | |

PC BOARD CONNECTIONS



RJ45 CONNECTOR

ELECTRICAL SPECIFICATIONS @25°C

- Turn Ratio ($\pm 5\%$):
Pri : Sec = 1CT : 1CT
- Inductance OCL:
350uH MIN @100KHz/0.1V, 8mA DC Bias
120uH MIN @100KHz/0.1V, 18mA DC Bias
- Insertion Loss:
-1.0dB MAX @ 1-100MHz
-1.2dB MAX @ 100-125MHz
- Return Loss:
-16dB MIN @ 1-40MHz
-12dB MIN @ 40-60MHz
-10dB MIN @ 60-80MHz
-8dB MIN @ 80-100MHz
- Cross talk:
-30dB MIN @ 1-100MHz
- Common to Common Mode Rejection:
-30dB MIN @ 1-100MHz
- DC Current/Voltage Rating pse Pins:
600mA MAX@54VDC(Continuous)
- Hipot Test: 1500Vrms MIN
- Operating Temperature: 0°C TO 70°C.



| Emitting Color | λ p(nm) | VF@IF=20mA | IR @VR=5V |
|----------------|-----------------|------------|----------------|
| GREEN | 565 | 1.8~2.6V | 10 μ A max |
| YELLOW | 585 | 1.8~2.6V | 10 μ A max |



| | | | |
|--------|---------------|------------|--|
| X:X | ± 0.30 | APPD: | LINK-PP INT'L TECHNOLOGY CO., LIMITED |
| X:XX | ± 0.25 | CHKD: | |
| X:XXX | ± 0.05 | DR: TOM | TITLE: RJ45 Connector with 1000 Base-T Integrated Magnetics For PoE Application |
| ANGLES | $\pm 1^\circ$ | UNIT: mm | PART NO.: LPJG0928GENL |
| | SCALE: 2/1 | SHEET: 1/2 | REV: A DWG NO.: LP18042006 |

