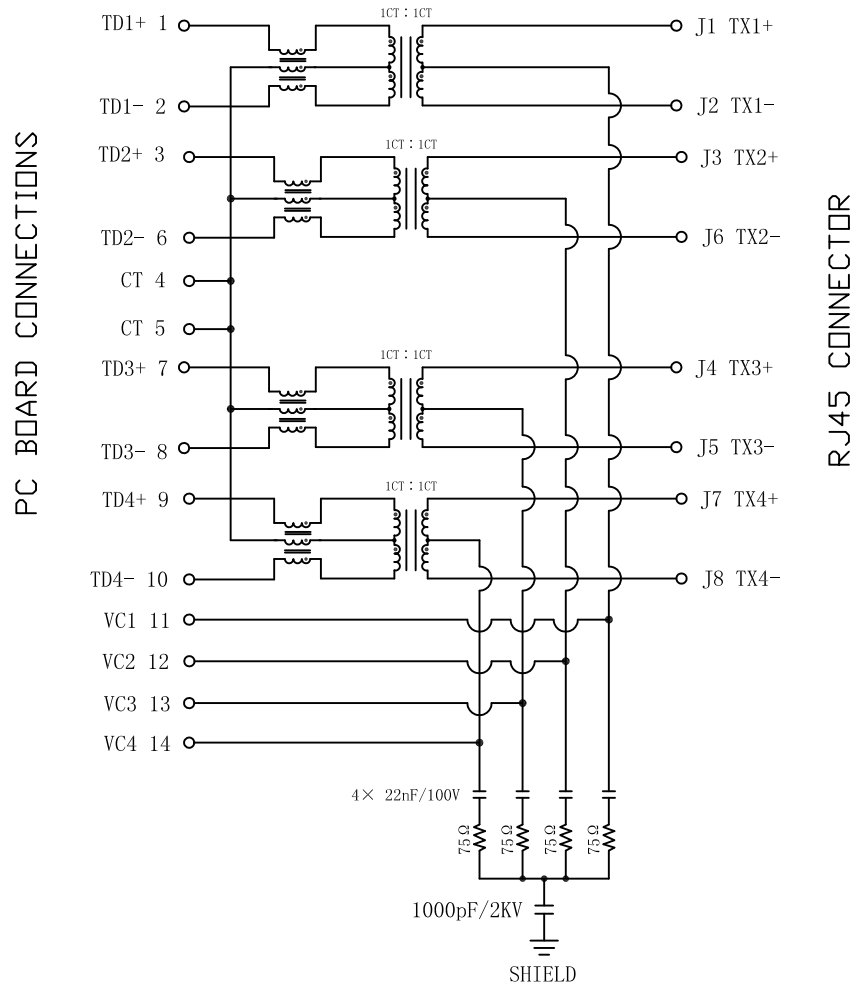


# Schematic:

REV.	ECN NO.	DESCRIPTION	DATE	APPD
A	REL	⌀ = 4.0mm	2018-02-26	
B	REL	⌀ = 2.85mm	2021-08-06	



## ELECTRICAL SPECIFICATIONS @25°C

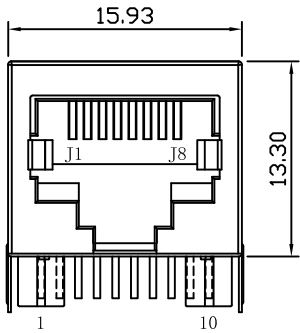
- Turn Ratio ( $\pm 5\%$ ):  
Pri : Sec = 1CT : 1CT
- Inductance OCL:  
350uH MIN @100KHz/0.1V, 8mA DC Bias  
120uH MIN @100KHz/0.1V, 18mA DC Bias
- Insertion Loss:  
-1.0dB MAX @ 1-100MHz  
-1.2dB MAX @ 100-125MHz
- Return Loss:  
-16dB MIN @ 1-40MHz  
-12dB MIN @ 40-60MHz  
-10dB MIN @ 60-80MHz  
-8dB MIN @ 80-100MHz
- Cross talk:  
-30dB MIN @ 1-100MHz
- Common to Common Mode Rejection:  
-30dB MIN @ 1-100MHz
- DC Current/Voltage Rating pse Pins:  
720mA MAX @57VDC(Continuous)
- Hipot Test: 1500Vrms MIN
- Operating Temperature: 0°C to 70°C.



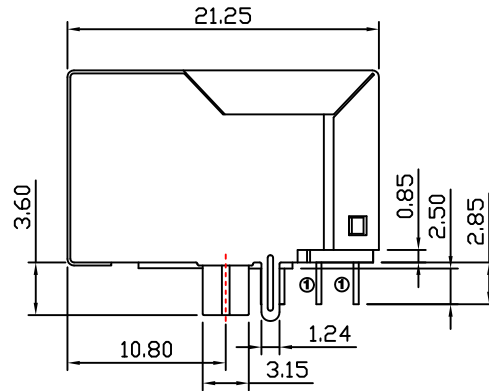
X:X	$\pm 0.30$	APPD:	LINK-PP INT'L TECHNOLOGY CO., LIMITED
X:XX	$\pm 0.25$	CHKD:	
X:XXX	$\pm 0.05$	DR: TOM	
ANGLES	$\pm 1^\circ$	UNIT: mm	TITLE: RJ45 Connector with 1000 Base-T Integrated Magnetics For PoE+ Application
		PART NO.:	LPJG0926DNL
	SCALE: 2/1	SHEET: 1/2	REV: B
		DWG NO.:	LP21080601

# Mechanical:

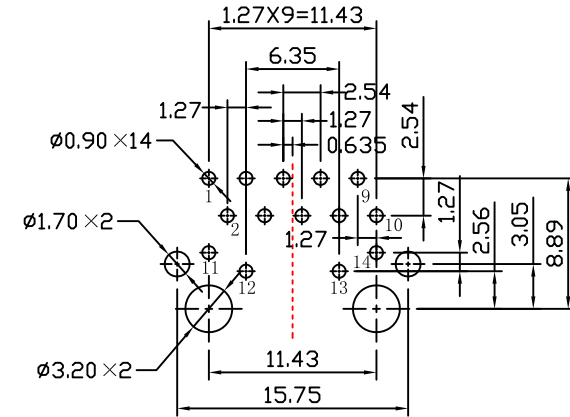
REV.	ECN NO.	DESCRIPTION	DATE	APPD
A	REL	⌀ = 4.0mm	2018-02-26	
B	REL	⌀ = 2.85mm	2021-08-06	



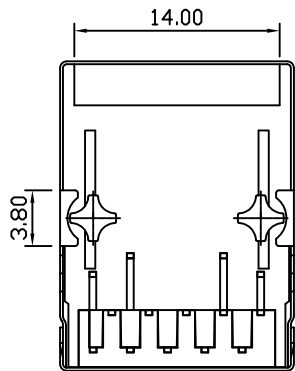
Front Side View



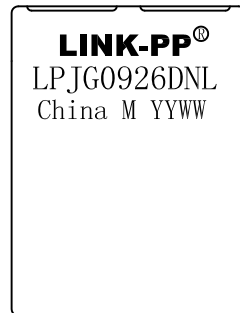
Left Side View



Suggested PCB Layout (Top View)



Bottom Side View



Top Side View



## NOTES:

1. Designed to support application, such as SOHO (ADSL modems), LAN-on-Motherboard (LOM), hub and Switches.
2. Meets IEEE802.3at specification.
3. Connector Materials:  
 Housing: Thermoplastic PBT+30%G.F UL94V-0  
 Contact: Phosphor Bronze C5210R-EH Thickness=0.35mm  
 Pins: Brass C2680R-H Thickness=0.35mm  
 Shield: SUS 201-1/2H Thickness=0.2mm  
 Contact plating: Gold 6 micro-inches min. In contact area.
4. Wave solder tip temperature: 250°C, 5 Sec.
5. UL Certification: File Number E484635.

X:X ±0.30	APPD:	LINK-PP INT'L TECHNOLOGY CO., LIMITED
X:XX ±0.25	CHKD:	
X:XXX ±0.05	DR: TOM	TITLE: RJ45 Connector with 1000 Base-T Integrated Magnetics For PoE+ Application
ANGLES ±1°	UNIT: mm	PART NO.: LPJG0926DNL
	SCALE: 2/1	SHEET: 2/2
	REV: B	DWG NO.: LP21080601