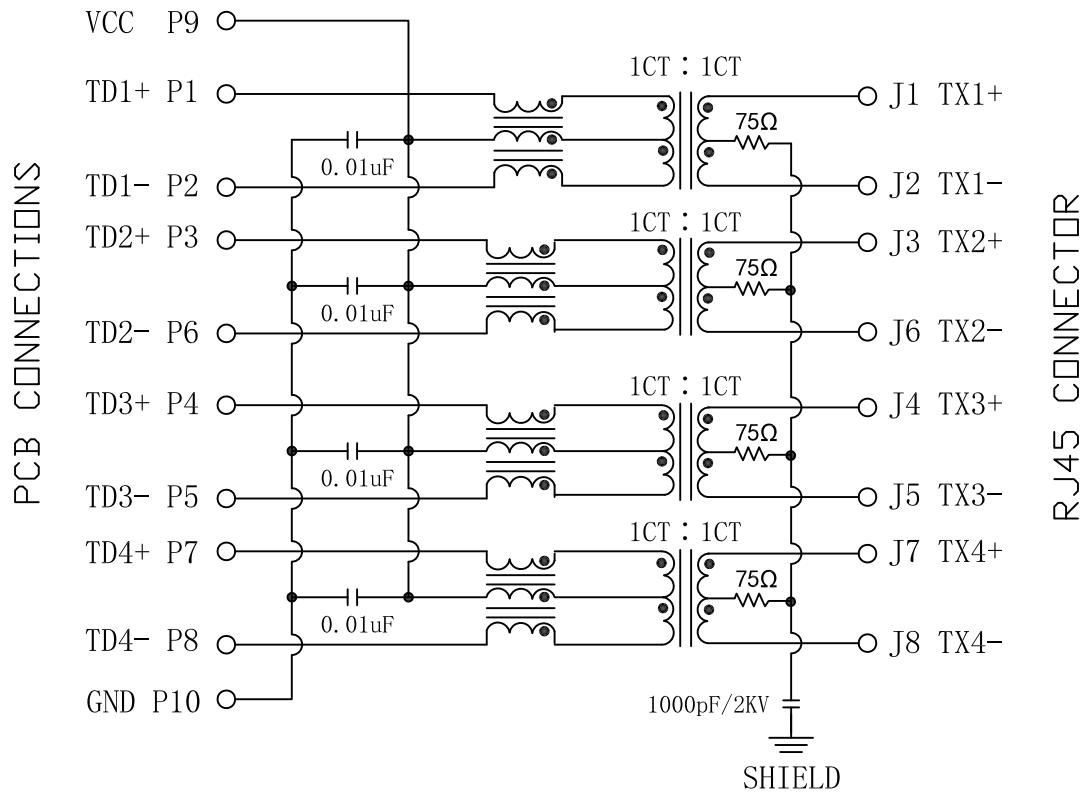


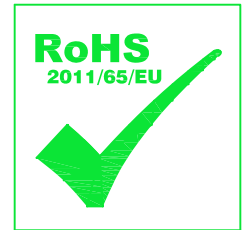
# Schematic:

REV.	ECN NO.	DESCRIPTION	DATE	APPD
A	REL		2015/08/27	



## ELECTRICAL SPECIFICATIONS @25°C

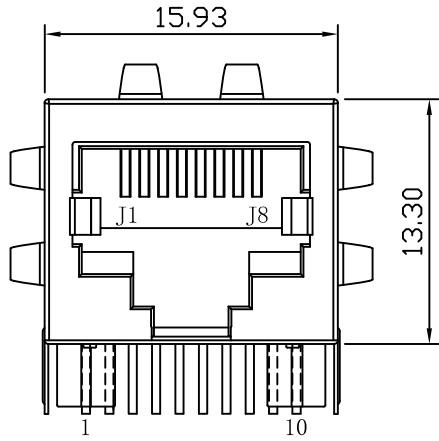
1. Turn Ratio( $\pm 2\%$ ):  
1CT:1CT
2. Inductance OCL: 350uH MIN  
@100KHz/0.1V, 8mA DC Bias
3. Insertion Loss:  
-1.1dB MAX @0.1-100MHz
4. Return Loss:  
-18dB MIN @1-40MHz  
-14dB MIN @60MHz  
-12dB MIN @80MHz  
-10dB MIN @100MHz
5. Cross talk:  
-40dB MIN @1-30MHz  
-35dB MIN @30-60MHz  
-30dB MIN @60-100MHz
6. Common Mode Rejection:  
-40dB TYP @0.1-100MHz
7. Hipot Test: 1500Vrms
8. Operating Temperature: 0°C TO 70°C.



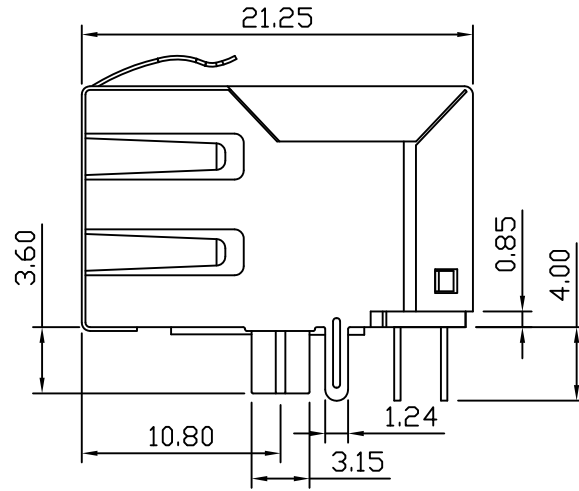
X:X ±0.30	APPD:	LINK-PP INT'L TECHNOLOGY CO., LIMITED		
X:XX ±0.25	CHKD:	TITLE: RJ45 Connector with 1000 Base-T Integrated Magnetics		
X:XXX ±0.05	DR: TOM	PART NO.: LPJG0917CNL		
ANGLES ±1°	UNIT: mm			
	SCALE: 2/1	SHEET: 1/2	REV: A	DWG NO.: LP15082715

# Mechanical:

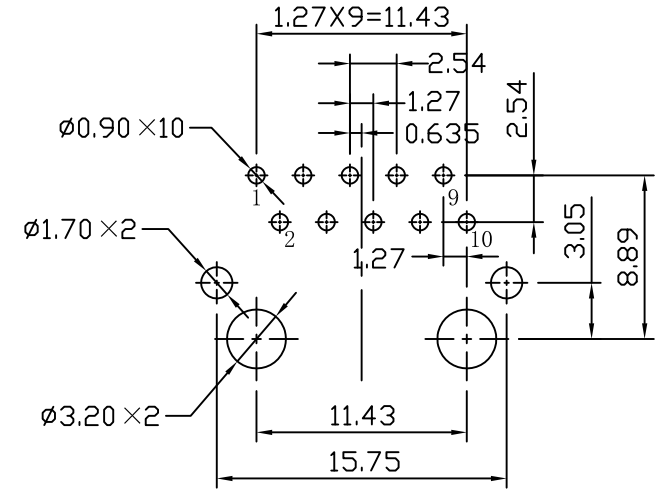
REV.	ECN NO.	DESCRIPTION	DATE	APPD
A	REL		2015/08/27	



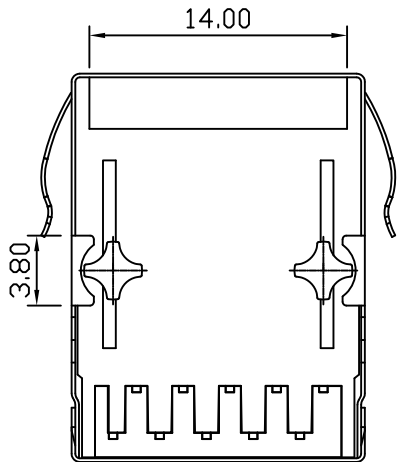
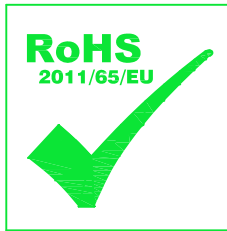
Front Side View



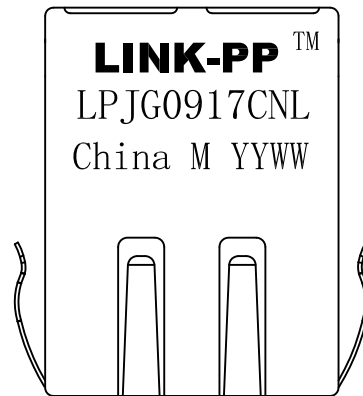
Left Side View



Suggested PCB Layout (Top View)



Bottom Side View



Top Side View

## NOTES:

1. Designed to support application, such as SOHO (ADSL modems), LAN-on-Motherboard (LOM), hub and Switches.
2. Meets IEEE802.3 specification
3. Connector Materials:  
 Housing: Thermoplastic PBT+30%G.F UL94V-0  
 Contact: Phosphor Bronze C5210R-EH Thickness=0.35mm  
 Pins: Brass C2680R-H Thickness=0.35mm  
 Shield: SUS 201-1/2H Thickness=0.2mm  
 Contact plating: Gold 6 micro-inches min. In contact area.
4. Wave solder tip temperature: 265°C Max, 5 Sec Max.

X:X ±0.30	APPD:	LINK-PP INT'L TECHNOLOGY CO., LIMITED		
X:XX ±0.25	CHKD:	TITLE: RJ45 Connector with 1000 Base-T Integrated Magnetics		
X:XXX ±0.05	DR: TOM	PART NO.: LPJG0917CNL		
ANGLES ±1°	UNIT: mm			
	SCALE: 2/1	SHEET: 2/2	REV: A	DWG NO.: LP15082715