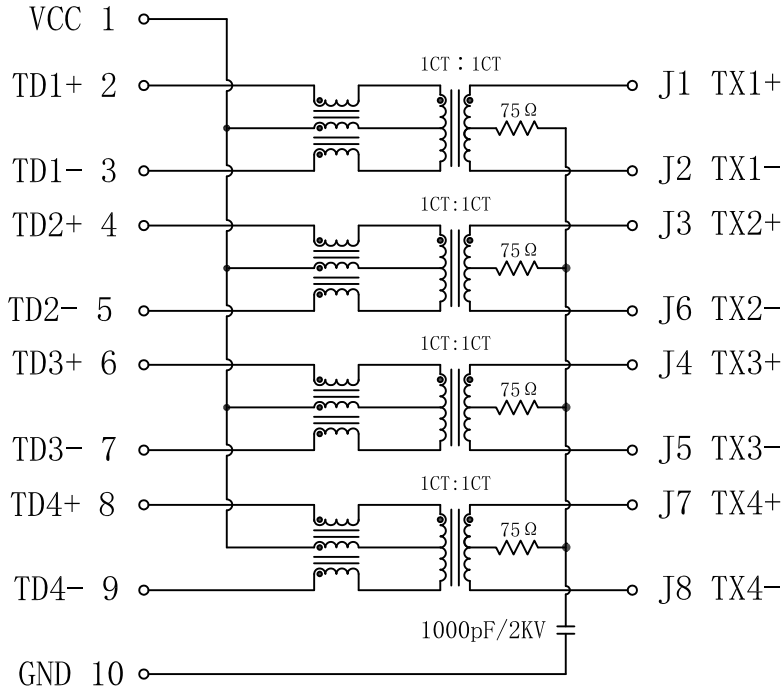


Schematic:

REV.	ECN NO.	DESCRIPTION	DATE	APPD
A	REL		17/12/2009	

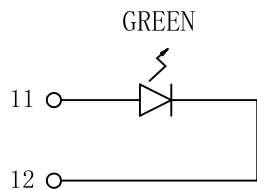
PCB CONNECTIONS



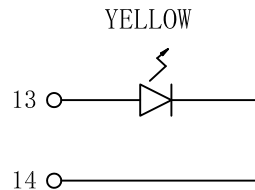
RJ45 CONNECTOR

ELECTRICAL SPECIFICATIONS @25°C

- Turn Ratio( $\pm 2\%$ ):  
Pri : Sec = 1CT : 1CT
- Inductance OCL: 350uH MIN  
@100KHz, 0.1V, 8mA DC Bias
- Insertion Loss:  
-1.0dB MAX @ 1-100MHz
- Return Loss:  
-16dB MIN @ 1-40MHz  
-10dB MIN @ 40-100MHz
- Cross talk:  
-50dB MIN @ 1MHz  
-30dB MIN @ 10-100MHz
- Common Mode Rejection Ratio:  
-50dB MIN @ 2MHz  
-20dB MIN @ 30-200MHz
- Hipot Test: 1500Vrms MIN
- Operating Temperature Range: 0°C TO 70°C



LEFT LED



RIGHT LED

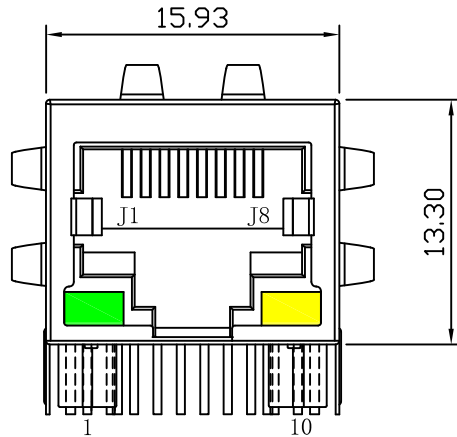
Emitting Color	$\lambda$ p(nm)	V <sub>F</sub> @I <sub>F</sub> =20mA	I <sub>R</sub> @V <sub>R</sub> =5V
GREEN	565	1.8~2.4V	10 $\mu$ A max
YELLOW	585	1.8~2.4V	10 $\mu$ A max



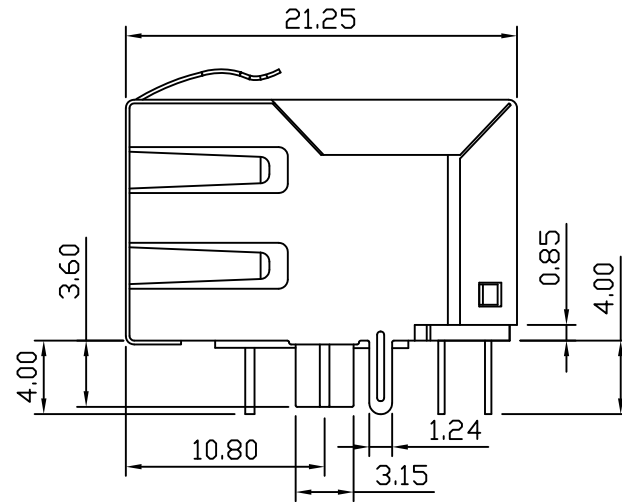
X:X	$\pm 0.30$	APPD:	
X:XX	$\pm 0.25$	CHKD:	
X:XXX	$\pm 0.05$	DR:	TOM
ANGLES	$\pm 1^\circ$	UNIT:	mm
		TITLE: RJ45 Connector with 1000 Base-T Integrated Magnetics	
		PART NO. : LPJG0887GENL	
	SCALE: 2/1	SHEET: 1/2	REV: A
		DWG NO. : LP09121706	

# Mechanical:

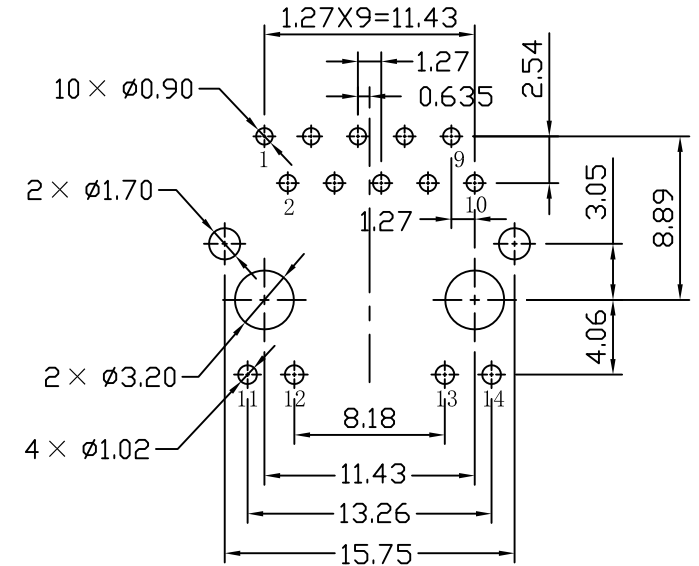
REV.	ECN NO.	DESCRIPTION	DATE	APPD
A	REL		17/12/2009	



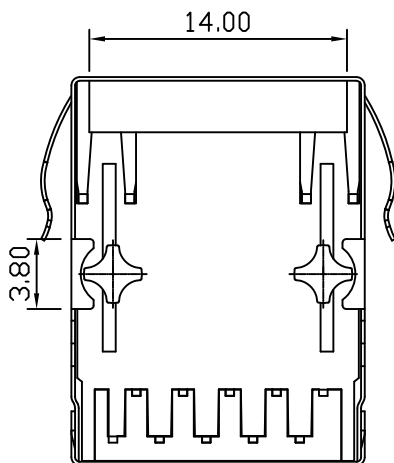
Front Side View



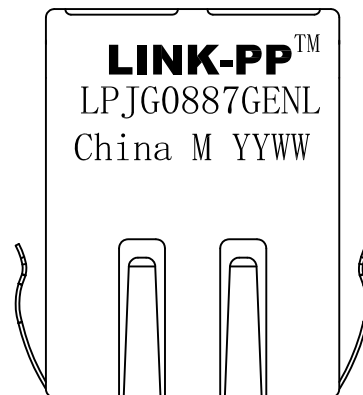
Left Side View



Suggested PCB Layout (Top View)



Bottom Side View



Top Side View

## NOTES:

1. Designed to support application, such as SOHO (ADSL modems), LAN-on-Motherboard (LOM), hub and Switches.
2. Meets IEEE 802.3 specification
3. Connector Materials:  
 Housing Material: Thermoplastic PA46+30%G.F UL94V-0  
 Contact Material: Phosphor Bronze C5210R-EH Thickness=0.35mm  
 Pins: Brass C2680R-H Thickness=0.35mm  
 Shield: SUS 201-1/2H Thickness=0.2mm  
 Contact plating: Gold 6 micro-inches min. In contact area.
4. Wave solder tip temperature: 265°C Max, 5 Sec Max

X:X ±0.30	APPD:	LINK-PP INT'L TECHNOLOGY CO., LIMITED		
X:XX ±0.25	CHKD:	TITLE: RJ45 Connector with 1000 Base-T Integrated Magnetics		
X:XXX ±0.05	DR: TOM	PART NO.: LPJG0887GENL		
ANGLES ±1°	UNIT: mm			
	SCALE: 2/1	SHEET: 2/2	REV: A	DWG NO.: LP09121706