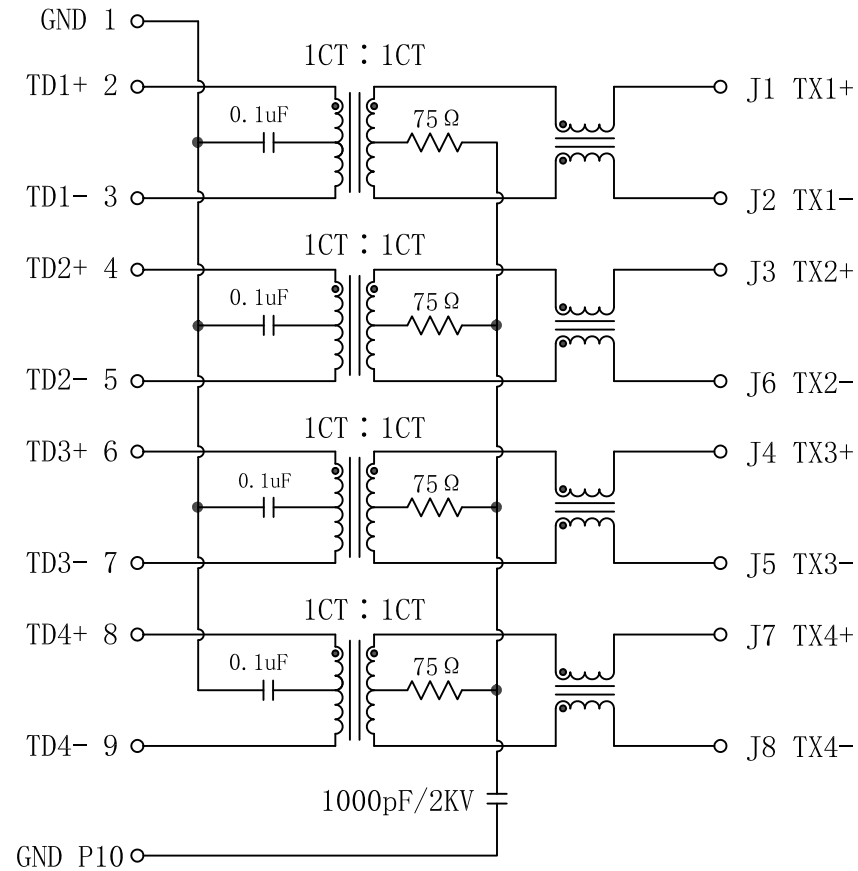


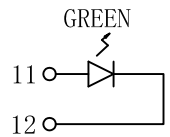
# Schematic:

REV.	ECN NO.	DESCRIPTION	DATE	APPD
A	REL		2010/06/17	

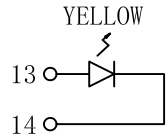
PC BOARD CONNECTIONS



RJ45 CONNECTOR



LEFT LED



RIGHT LED

Emitting Color	$\lambda$ p(nm)	VF@IF=20mA	IR @VR=5V
GREEN	565	1.8~2.6V	10 $\mu$ A max
YELLOW	585	1.8~2.6V	10 $\mu$ A max

## ELECTRICAL SPECIFICATIONS @25°C

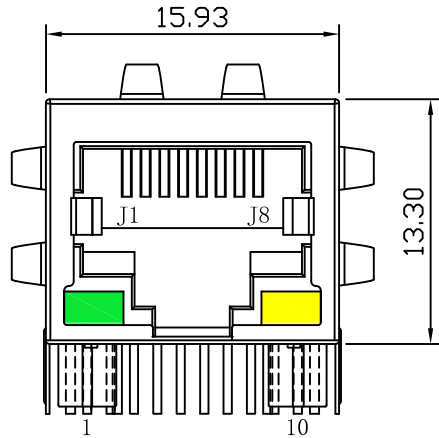
- Turn Ratio( $\pm 2\%$ ):  
Pri : Sec = 1CT : 1CT
- Inductance OCL:  
350uH Min @100KHz, 0.1V, 8mA DC Bias
- Insertion Loss:  
-0.5dB Max @ 1-65MHz  
-0.8dB Max @ 65-100MHz  
-1.2dB Max @ 100-125MHz
- Return Loss:  
-16dB Min. (Load 100 OHM) @ 1-40MHz  
-12.5dB Min. (Load 100 OHM) @ 60MHz  
-10dB Min. (Load 100 OHM) @ 80MHz  
-8.1dB Min. (Load 100 OHM) @ 100MHz
- Cross talk:  
-30dB MIN @ 1-100MHz
- CDMR:  
-35dB MIN @ 1-100MHz
- Common Mode Rejection:  
-30dB MIN @ 1-100MHz
- Hipot Test: 1500Vrms MIN
- Operating Temperature : 0°C TO 70°C



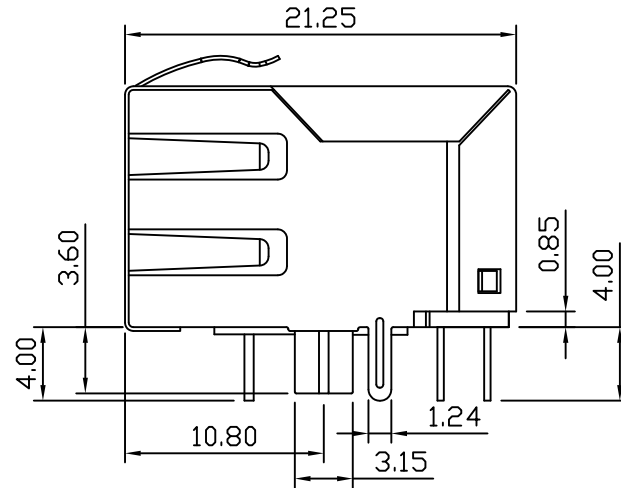
X:X	$\pm 0.30$	APPD:	LINK-PP INT'L TECHNOLOGY CO., LIMITED	
X:XX	$\pm 0.25$	CHKD:	TITLE: RJ45 Connector with 1000 Base-T Integrated Magnetics	
X:XXX	$\pm 0.05$	DR: TOM	PART NO. : LPJG0863GENL	
ANGLES	$\pm 1^\circ$	UNIT: mm	DWG NO. : LP10061743	
	SCALE: 2/1	SHEET: 1/2	REV: A	

# Mechanical:

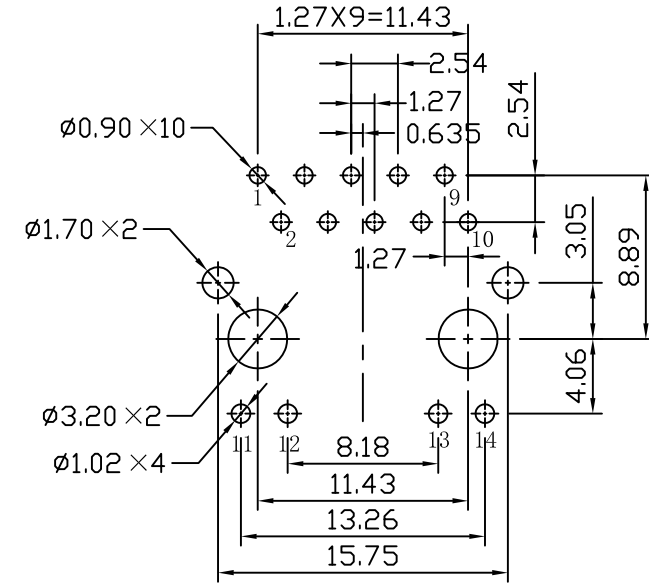
REV.	ECN NO.	DESCRIPTION	DATE	APPD
A	REL		2010/06/17	



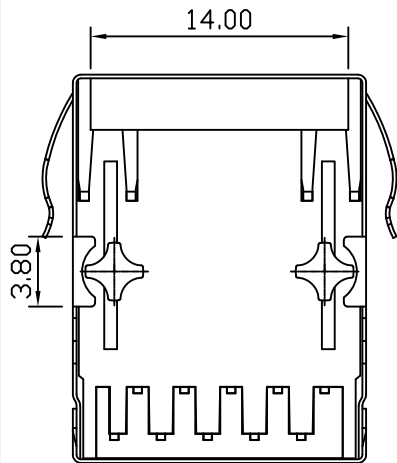
Front Side View



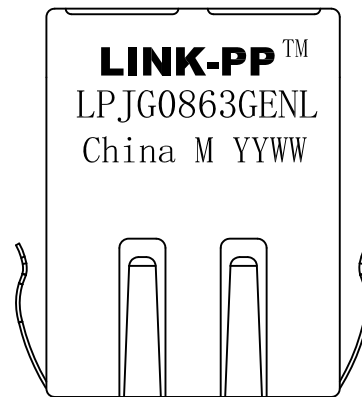
Left Side View



Suggested PCB Layout(Top View)



Bottom Side View



Top Side View

## NOTES:

1. Designed to support application, such as SOHO (ADSL modems), LAN-on-Motherboard (LOM), hub and Switches.
2. Meets IEEE802.3 specification
3. Connector Materials:  
 Housing: Thermoplastic PBT+30%G.F UL94V-0  
 Contact: Phosphor Bronze C5210R-EH Thickness=0.35mm  
 Pins: Brass C2680R-H Thickness=0.35mm  
 Shield: SUS 201-1/2H Thickness=0.2mm  
 Contact plating: Gold 6 micro-inches min. In contact area.
4. Wave solder tip temperature: 265°C Max, 5 Sec Max.
5. UL Certification: File Number E484635.

X:X ±0.30	APPD:	LINK-PP INT'L TECHNOLOGY CO., LIMITED
X:XX ±0.25	CHKD:	
X:XXX ±0.05	DR: TOM	TITLE: RJ45 Connector with 1000 Base-T Integrated Magnetics
ANGLES ±1°	UNIT: mm	PART NO.: LPJG0863GENL
	SCALE: 2/1	SHEET: 2/2
	REV: A	DWG NO.: LP10061743