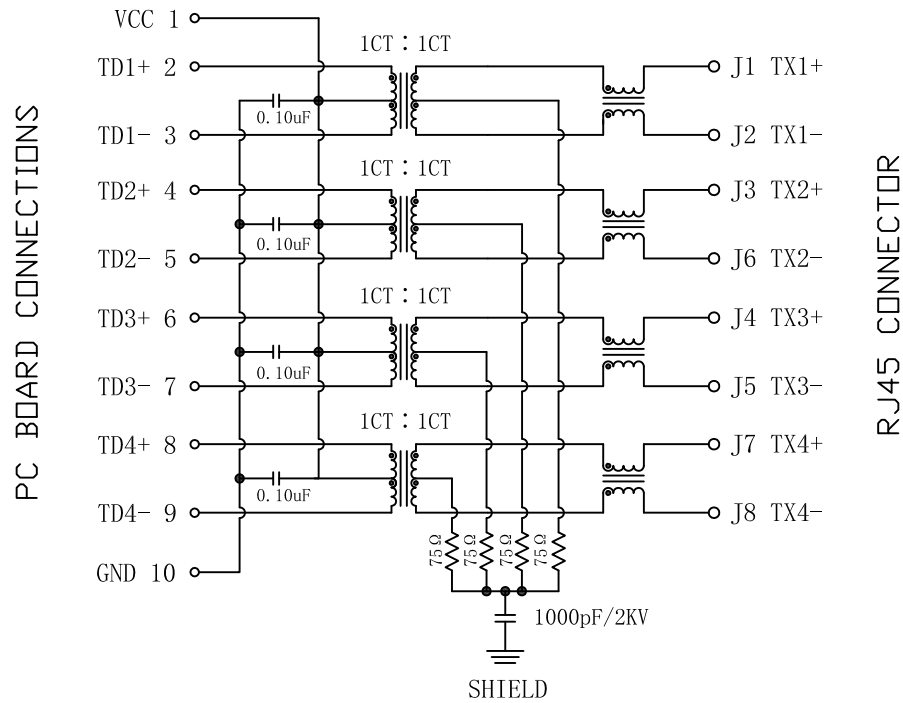


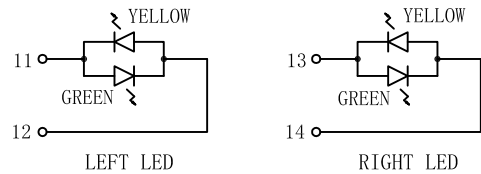
# Schematic:

REV.	ECN NO.	DESCRIPTION	DATE	APPD
A	REL		2009-12-17	



## ELECTRICAL SPECIFICATIONS @25°C

- Turn Ratio ( $\pm 2\%$ ):  
Pri : Sec = 1CT : 1CT
- OCL: 350uH MIN  
@100KHz, 100mV, 8mA DC Bias
- Insertion Loss:  
-1.0dB MAX @0.3~100MHz  
-1.5dB MAX @100~125MHz
- Return Loss:  
-15dB MIN @40MHz  
-13.1dB MAX @50MHz  
-12dB MIN @60~80MHz  
-10dB MIN @100MHz
- Cross talk:  
-45dB MIN @30MHz  
-40dB MAX @60MHz  
-35dB MAX @100MHz
- Common Mode Rejection:  
-43dB MIN @30MHz  
-37dB MIN @80MHz  
-33dB MIN @100MHz
- CMRR:  
-30dB MIN @1-100MHz
- Hipot Test: 1500Vrms
- Operating Temperature: 0°C to 70°C.



Emitting Color	$\lambda_p$ (nm)	VF@IF=20mA	IR @VR=5V
GREEN	565	1.8-2.6V	10 $\mu$ A max
YELLOW	585	1.8-2.6V	10 $\mu$ A max

X:X	$\pm 0.30$	APPD:	LINK-PP INT'L TECHNOLOGY CO., LIMITED	
X:XX	$\pm 0.25$	CHKD:	TITLE: RJ45 Connector with 1000 Base-T Integrated Magnetics	
X:XXX	$\pm 0.05$	DR: TOM		
ANGLES	$\pm 1^\circ$	UNIT: mm	PART NO.: LPJG0860H4NL	
	SCALE: 2/1	SHEET: 1/2	REV: A	DWG NO.: LP09121729

