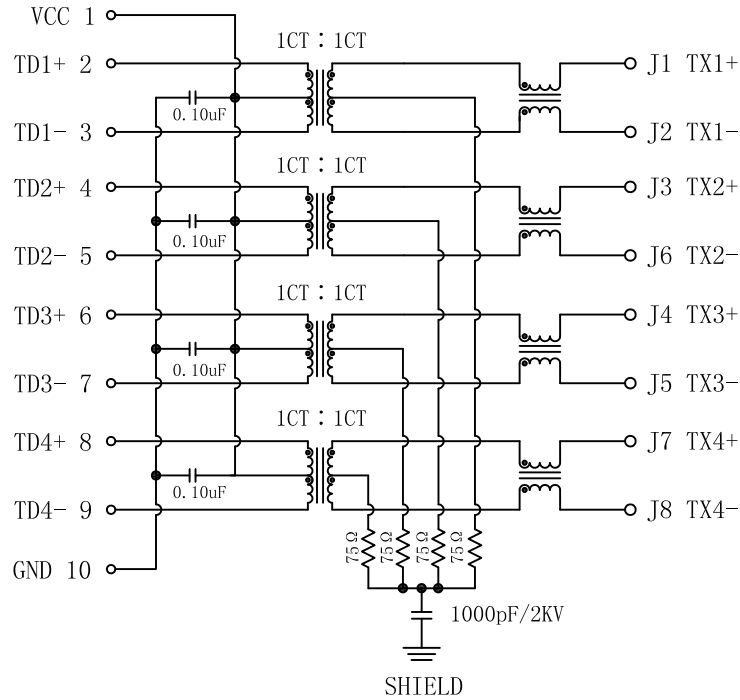


Schematic:

REV.	ECN NO.	DESCRIPTION	DATE	APPD
A	REL		2009-12-17	

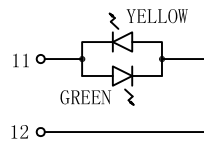
PC BOARD CONNECTIONS



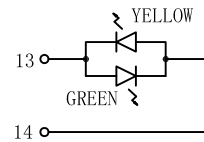
RJ45 CONNECTOR

ELECTRICAL SPECIFICATIONS @25°C

- Turn Ratio ($\pm 2\%$): 1CT : 1CT
- OCL: 350uH MIN
@100KHz, 100mV, 8mA DC Bias
- Insertion Loss:
-1.0dB MAX @0.3~100MHz
-1.5dB MAX @100~125MHz
- Return Loss:
-15dB MIN @40MHz
-13.1dB MAX @50MHz
-12dB MIN @60~80MHz
-10dB MIN @100MHz
- Cross talk:
-45dB MIN @30MHz
-40dB MAX @60MHz
-35dB MAX @100MHz
- Common Mode Rejection:
-43dB MIN @30MHz
-37dB MIN @80MHz
-33dB MIN @100MHz
- CMRR:
-30dB MIN @1-100MHz
- Hipot Test: 1500Vrms
- Operating Temperature: 0°C TO 70°C.



LEFT LED



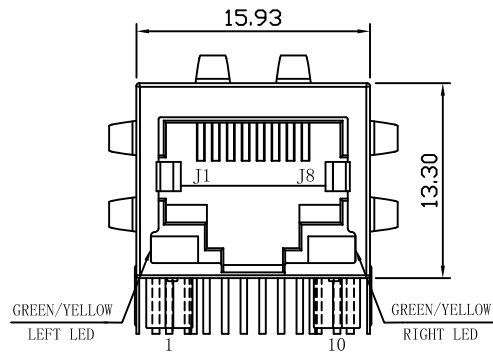
RIGHT LED

Emitting Color	λ p(nm)	VF@IF=20mA	IR @VR=5V
GREEN	565	1.8~2.6V	10 μ A max
YELLOW	585	1.8~2.6V	10 μ A max

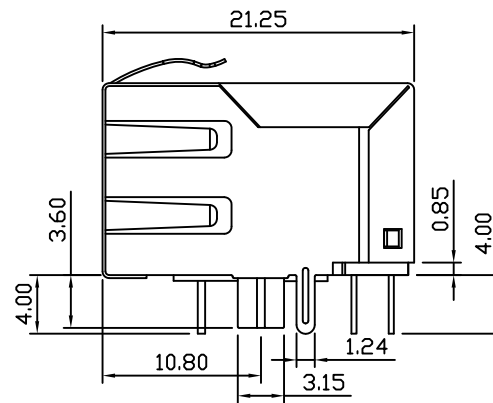
X:X	± 0.30	APPD:	LINK-PP INT'L TECHNOLOGY CO., LIMITED	
X:XX	± 0.25	CHKD:	TITLE: RJ45 Connector with 1000 Base-T Integrated Magnetics	
X:XXX	± 0.05	DR: TOM	PART NO.: LPJG0860G4NL	
ANGLES	$\pm 1^\circ$	UNIT: mm		
	SCALE: 2/1	SHEET: 1/2	REV: A	DWG NO.: LP09121706

Mechanical:

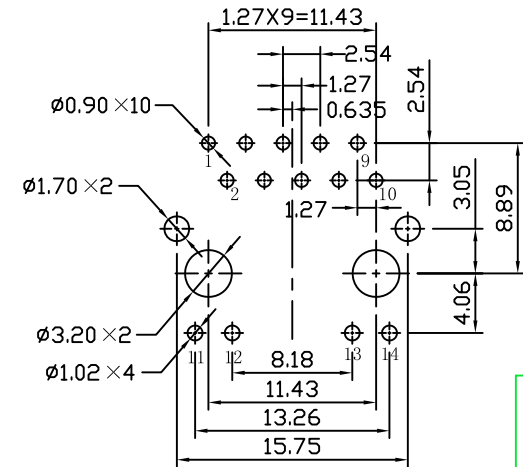
REV.	ECN NO.	DESCRIPTION	DATE	APPD
A	REL		2009-12-17	



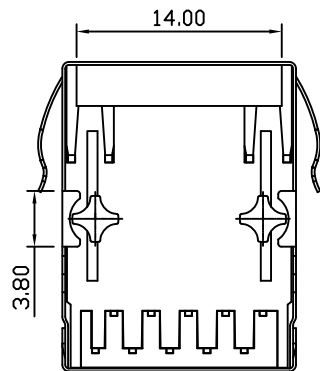
Front Side View



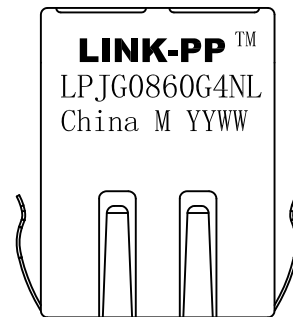
Left Side View



Suggested PCB Layout (Top View)



Bottom Side View



Top Side View

NOTES:

1. Designed to support application, such as SOHO (ADSL modems), LAN-on-Motherboard (LOM), hub and Switches.
2. Meets IEEE 802.3 specification
3. Connector Materials:
 Housing: Thermoplastic PBT+30%G.F UL94V-0
 Contact: Phosphor Bronze C5210R-EH Thickness=0.35mm
 Pins: Brass C2680R-H Thickness=0.35mm
 Shield: SUS 201-1/2H Thickness=0.2mm
 Contact plating: Gold 6 micro-inches min. In contact area.
4. Wave solder tip temperature: 265°C Max, 5 Sec Max.

X:X	±0.30	APPD:	LINK-PP INT'L TECHNOLOGY CO., LIMITED	
X:XX	±0.25	CHKD:	TITLE: RJ45 Connector with 1000 Base-T Integrated Magnetics	
X:XXX	±0.05	DR: TOM	PART NO.: LPJG0860G4NL	
ANGLES	±1°	UNIT: mm	DWG NO.: LP09121706	
	SCALE: 2/1	SHEET: 2/2	REV: A	