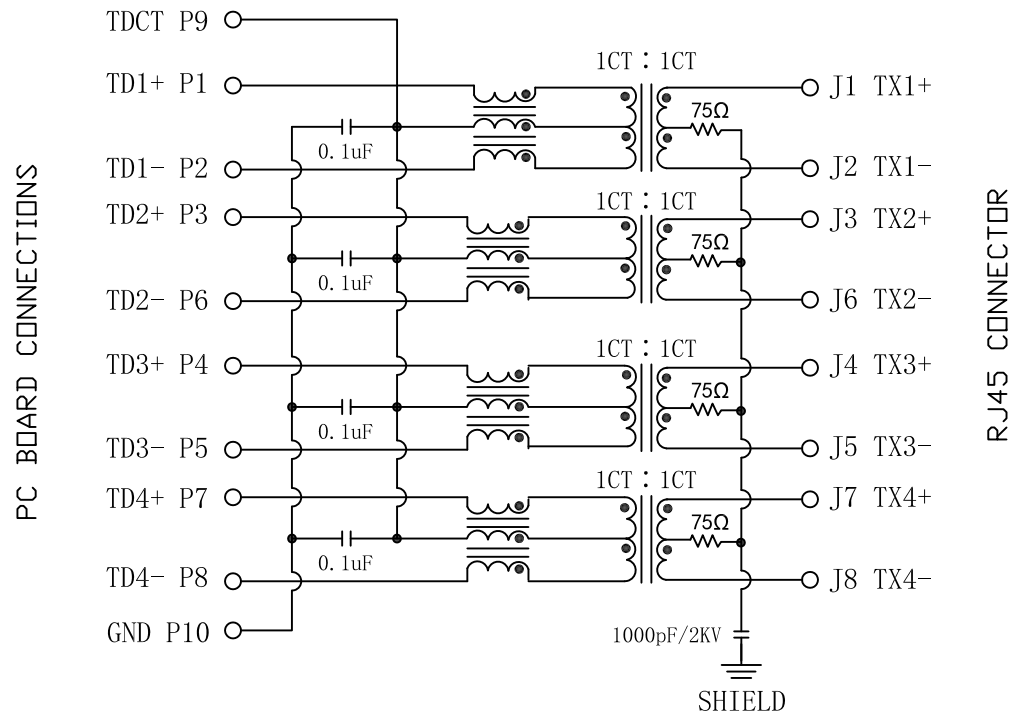


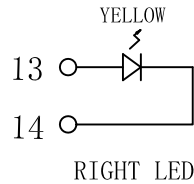
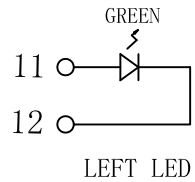
# Schematic:

REV.	ECN NO.	DESCRIPTION	DATE	APPD
A	REL		2015/03/02	



## Electrical Specifications @25°C

- Turns Ratio ( $\pm 3\%$ ) :  
Pri:Sec = 1CT:1CT
- OCL (@100KHz, 100mV, 8mADC) : 350uH MIN
- Insertion Loss:  
1-100MHz: -1.1dB MAX
- Return Loss (dB MIN) :  
1-40MHz: -18  
40-100MHz: -12+20LOG (f/80MHz)
- Crosstalk:  
1-100MHz: -35dB MIN
- Common To Common Mode Rejection:  
1-100MHz: -35 dB MIN
- Hipot (Isolation Voltage): 1500Vrms
- Operating Temperature: 0°C ~ 70°C.

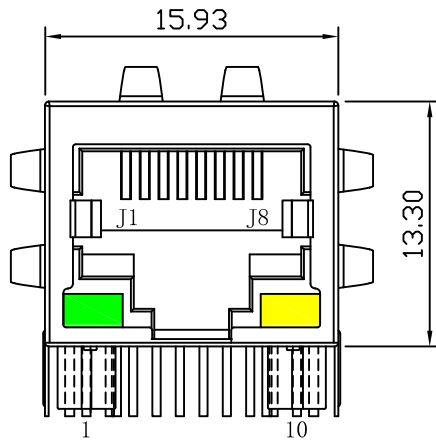


Emitting Color	$\lambda$ p(nm)	V <sub>F</sub> @I <sub>F</sub> =20mA	I <sub>R</sub> @V <sub>R</sub> =5V
GREEN	565	1.8~2.6V	10 $\mu$ A max
YELLOW	585	1.8~2.6V	10 $\mu$ A max

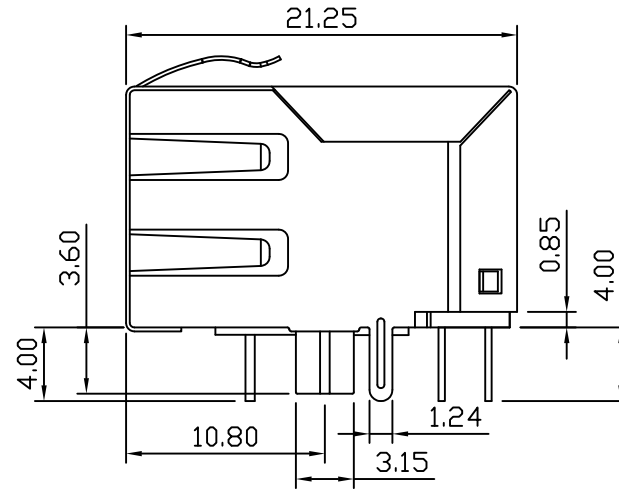
X:X	$\pm 0.30$	APPD:	LINK-PP INT'L TECHNOLOGY CO., LIMITED
X:XX	$\pm 0.25$	CHKD:	
X:XXX	$\pm 0.05$	DR: TOM	
ANGLES $\pm 1^\circ$		UNIT: mm	TITLE: RJ45 Connector with 10/100/1000 Base-T Integrated Magnetics
			PART NO. : LPJG0856GENL
	SCALE: 2/1	SHEET: 1/2	REV: A
			DWG NO. : LP15030240

# Mechanical:

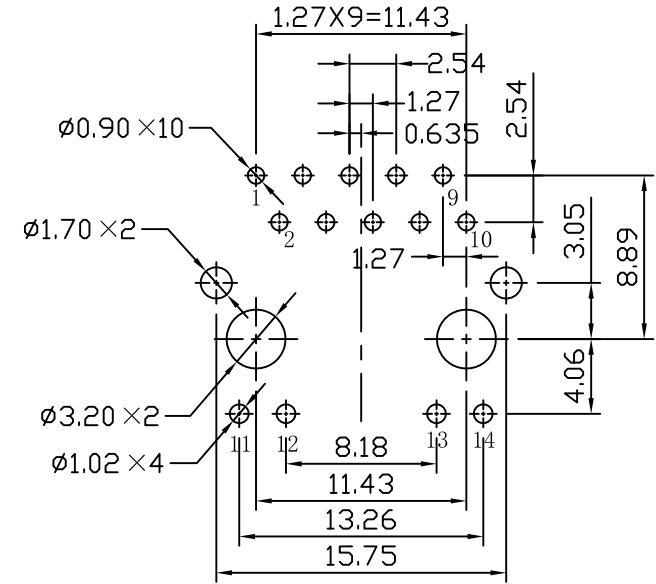
REV.	ECN NO.	DESCRIPTION	DATE	APPD
A	REL		2015/03/02	



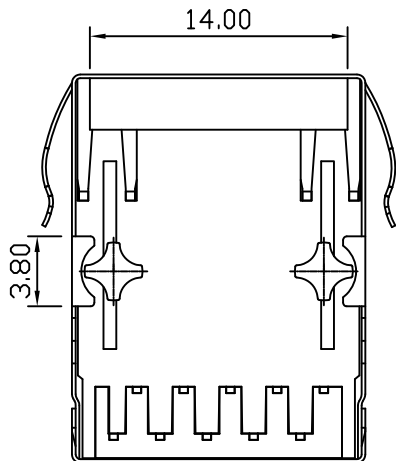
Front Side View



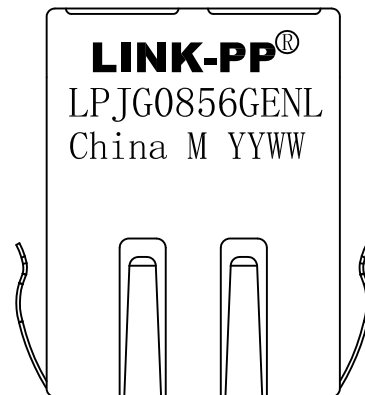
Left Side View



Suggested PCB Layout (Top View)



Bottom Side View



Top Side View

### NOTES:

1. Designed to support application, such as SOHO (ADSL modems), LAN-on-Motherboard (LOM), hub and Switches.
2. Meets IEEE802.3 specification
3. Connector Materials:  
 Housing: Thermoplastic PBT+30%G. F UL94V-0  
 Contact: Phosphor Bronze C5210R-EH Thickness=0.35mm  
 Pins: Brass C2680R-H Thickness=0.35mm  
 Shield: SUS 201-1/2H Thickness=0.2mm  
 Contact plating: Gold 6 micro-inches min. In contact area.
4. Wave solder tip temperature: 265°C Max, 5 Sec.
5. UL Certification: File number E484635.

X:X ±0.30	APPD:	LINK-PP INT'L TECHNOLOGY CO., LIMITED
X:XX ±0.25	CHKD:	
X:XXX ±0.05	DR: TOM	TITLE: RJ45 Connector with 10/100/1000 Base-T Integrated Magnetics
ANGLES ±1°	UNIT: mm	PART NO.: LPJG0856GENL
	SCALE: 2/1	SHEET: 2/2
	REV: A	DWG NO.: LP15030240