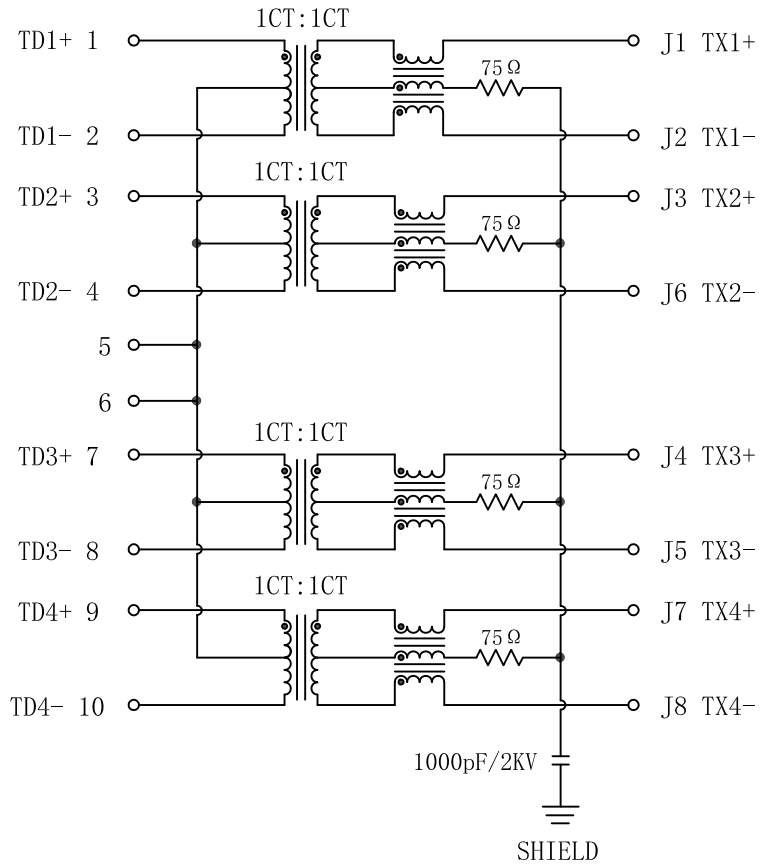


Schematic:

REV.	ECN NO.	DESCRIPTION	DATE	APPD
A	REL		2012/05/18	

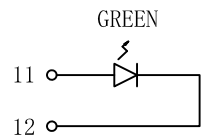
PC BOARD CONNECTIONS



RJ45 CONNECTOR

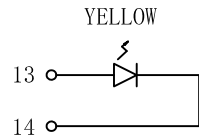
Electrical Specification @25°C

- Turns Ratio ($\pm 2\%$) :
Pri:Sec = 1CT:1CT
- Inductance OCL: 350uH Min
@100KHz, 0.1Vrms, 8mA DC Bias
- Insertion Loss:
1~100MHz:-1.0dB MAX
- Return Loss(dB Min. Load 100 OHMS):
1~30MHz:-18
30~60MHz:-[18-20Log(F/30MHz)]
60~80MHz:-12
- Crosstalk(dB Min):
0.5~1MHz:-50 10:-50
30:-40 50:-35
100:-30
- Common Mode Rejection(dB Min):
0.3~1MHz:-50 10:-47
30:-42 60:-37
100:-30
- CDMR(dB Min):
0.3~1MHz:-50 10:-50
30:-50 60:-45
100:-40
- Hi-Pot Test: 1500Vrms 0.5mA/2sec.
- Operating Temperature: 0°C~70°C.



LEFT LED

LED POLARITY		COLOR
PIN 11	PIN 12	
+	-	GREEN



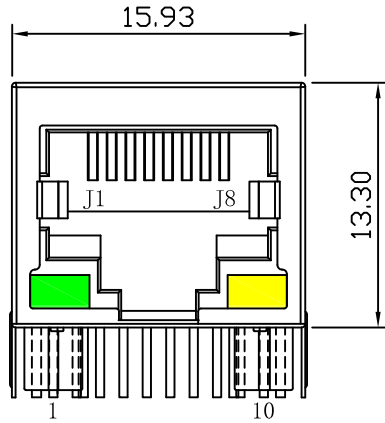
RIGHT LED

LED POLARITY		COLOR
PIN 13	PIN 14	
+	-	YELLOW

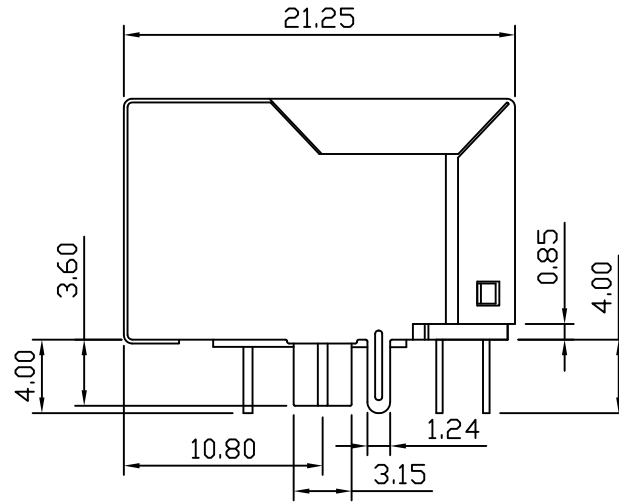
Emitting Color	λ p(nm)	VF@IF=20mA	IR @VR=5V
GREEN	565	1.8~2.6V	10 μ A max
YELLOW	585	1.8~2.6V	10 μ A max

X:X	± 0.30	APPD:	LINK-PP INT'L TECHNOLOGY CO., LIMITED	
X:XX	± 0.20	CHKD:	TITLE: RJ45 Connector with 1000 Base-T Integrated Magnetics	
X:XXX	± 0.05	DR: TOM	PART NO. : LPJG0846HENL	
ANGLES	$\pm 1^\circ$	UNIT: mm	DWG NO. : LP12051803	
	SCALE: 2/1	SHEET: 1/2	REV: A	

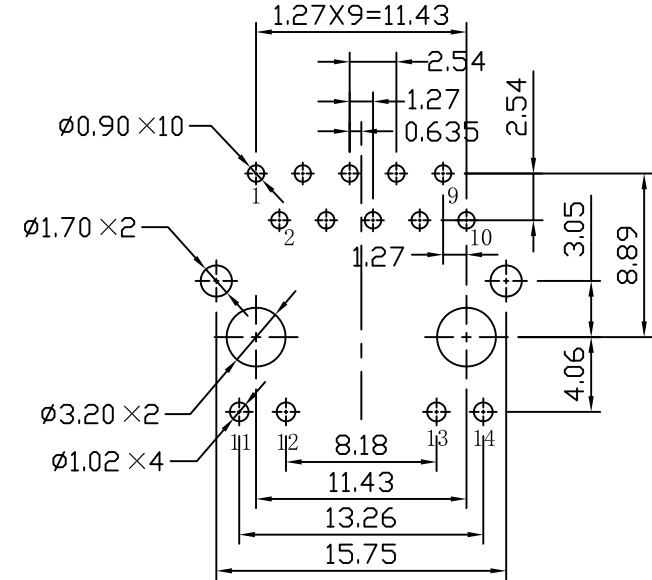
Mechanical:



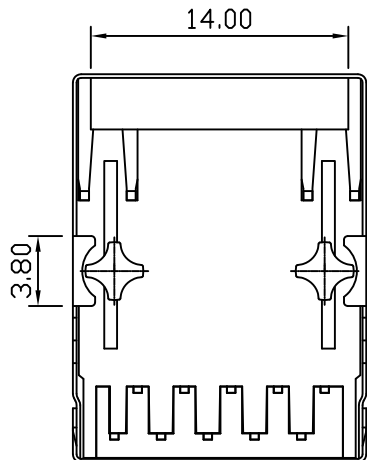
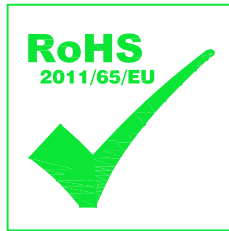
Front Side View



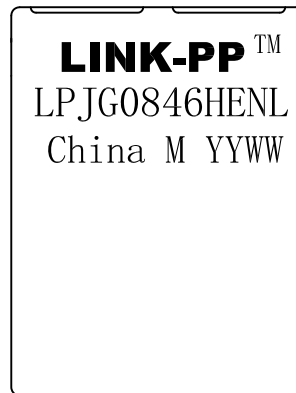
Left Side View



Suggested PCB Layout (Top View)



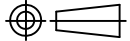
Bottom Side View



Top Side View

NOTES:

1. Designed to support application, such as SOHO (ADSL modems), LAN-on-Motherboard (LOM), hub and Switches.
2. Meets IEEE802.3 specification
3. Connector Materials:
 Housing: Thermoplastic PBT+30%G.F UL94V-0
 Contact: Phosphor Bronze C5210R-EH Thickness=0.35mm
 Pins: Brass C2680R-H Thickness=0.35mm
 Shield: SUS 201-1/2H Thickness=0.2mm
 Contact plating: Gold 6 micro-inches min. In contact area.
4. Wave solder tip temperature: 265°C Max, 5 Sec Max.

X:X	±0.30	APPD:	LINK-PP INT'L TECHNOLOGY CO., LIMITED		
X:XX	±0.20	CHKD:	TITLE: RJ45 Connector with 1000 Base-T Integrated Magnetics		
X:XXX	±0.05	DR: TOM	PART NO.: LPJG0846HENL		
ANGLES	±1°	UNIT: mm			
 SCALE: 2/1		SHEET: 2/2		REV: A	DWG NO.: LP12051803