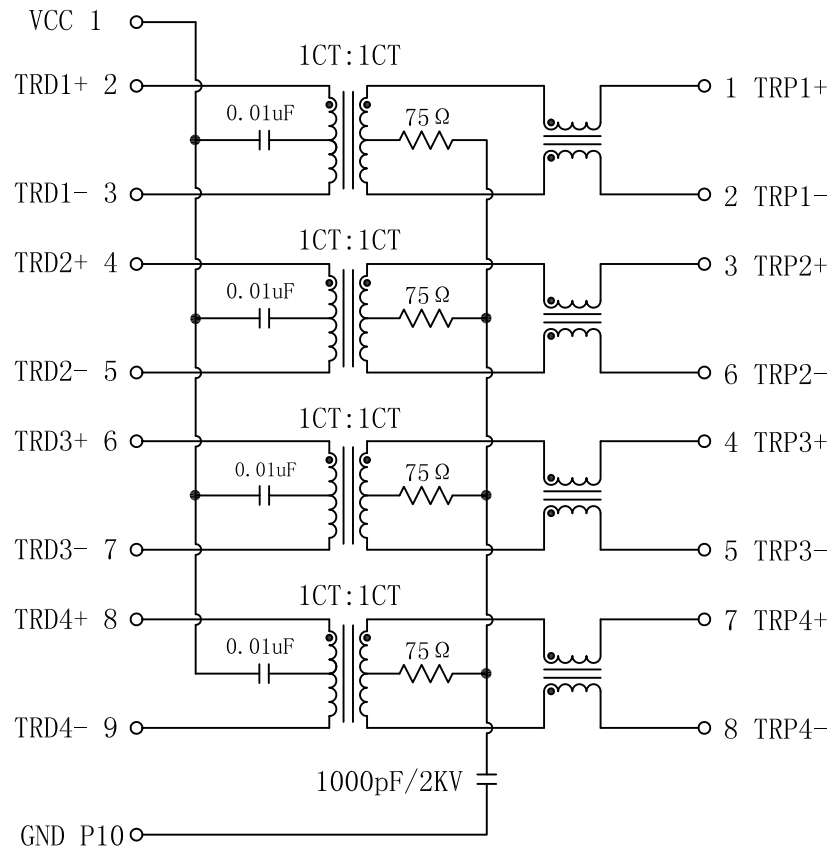


Schematic:

REV.	ECN NO.	DESCRIPTION	DATE	APPD
A	REL		2014-07-21	

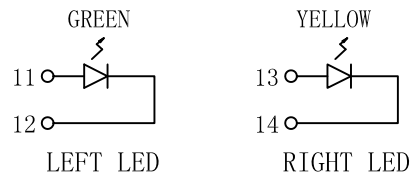
INPUT

OUTPUT



ELECTRICAL SPECIFICATIONS @25°C

- Turn Ratio($\pm 2\%$):
Pri:Sec = 1CT:1CT
- Inductance OCL: 350uH Min
@100KHz, 0.1V, 8mA DC Bias
- Insertion Loss:
-0.5dB Max @1~65MHz
-0.8dB Max @65~100MHz
-1.2dB Max @100~125MHz
- Return Loss:
-16dB Min. (Load 100 OHM) @1~30MHz
-13.5dB Min. (Load 100 OHM) @30~40MHz
-11.5dB Min. (Load 100 OHM) @40~50MHz
-10dB Min. (Load 100 OHM) @60~80MHz
- Cross talk:
-30dB MIN @1~100MHz
- Common Mode Rejection:
-30dB MIN @1~100MHz
- Hipot Test: 1500Vrms MIN
- Operating Temperature: 0°C TO 70°C

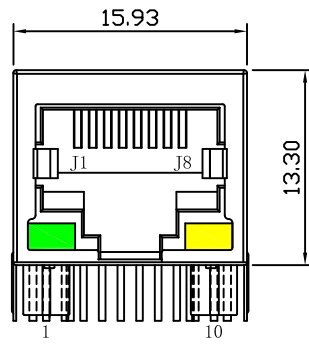


Emitting Color	λ p(nm)	VF@IF=20mA	IR @VR=5V
GREEN	565	1.8~2.6V	10 μ A max
YELLOW	585	1.8~2.6V	10 μ A max

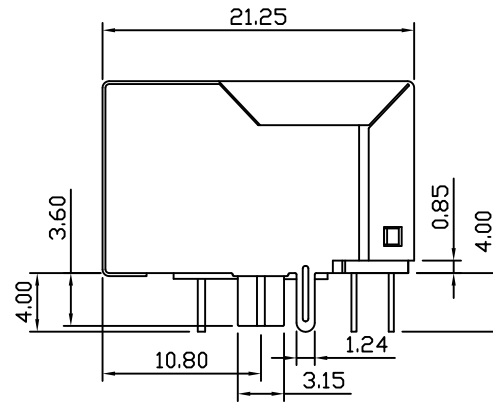
X:X	± 0.30	APPD:	LINK-PP INT'L TECHNOLOGY CO., LIMITED	
X:XX	± 0.25	CHKD:	TITLE: RJ45 Connector with 1000 Base-T Integrated Magnetics	
X:XXX	± 0.05	DR:	PART NO. : LPJG0843HENL	
ANGLES	$\pm 1^\circ$	UNIT: mm		
	SCALE: 2/1	SHEET: 1/2	REV: A	DWG NO. : LP14072137

Mechanical:

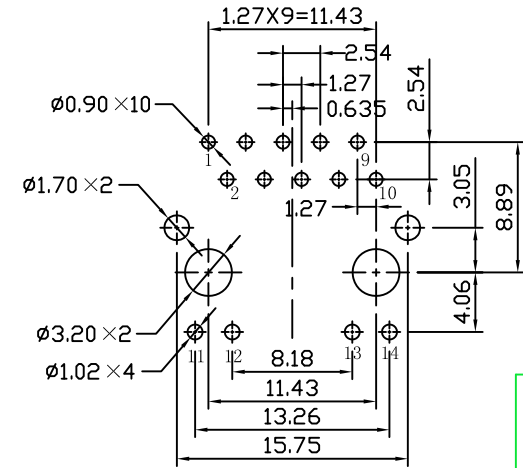
REV.	ECN NO.	DESCRIPTION	DATE	APPD
A	REL		2014-07-21	



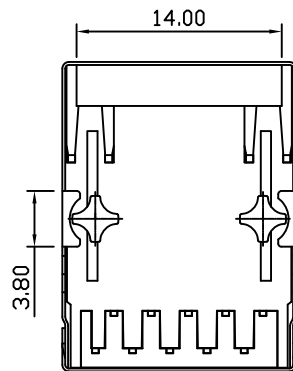
Front Side View



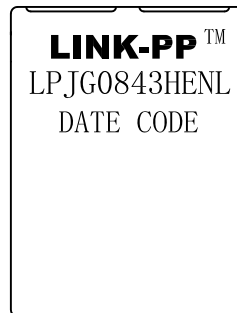
Left Side View



Suggested PCB Layout (Top View)



Bottom Side View



Top Side View

NOTES:

- Designed to support application, such as SOHO (ADSL modems), LAN-on-Motherboard (LOM), hub and Switches.
- Meets IEEE802.3 specification
- Connector Materials:
 Housing: Thermoplastic PBT+30%G.F UL94V-0
 Contact: Phosphor Bronze C5210R-EH Thickness=0.35mm
 Pins: Brass C2680R-H Thickness=0.35mm
 Shield: SUS 201-1/2H Thickness=0.2mm
 Contact plating: Gold 6 micro-inches min. In contact area.
- Wave solder tip temperature: 265°C Max, 5 Sec Max.

X:X	±0.30	APPD:	LINK-PP INT'L TECHNOLOGY CO., LIMITED	
X:XX	±0.25	CHKD:	TITLE: RJ45 Connector with 1000 Base-T Integrated Magnetics	
X:XXX	±0.05	DR: TOM		
ANGLES	±1°	UNIT: mm	PART NO.: LPJG0843HENL	
	SCALE: 2/1	SHEET: 2/2	REV: A	DWG NO.: LP14072137