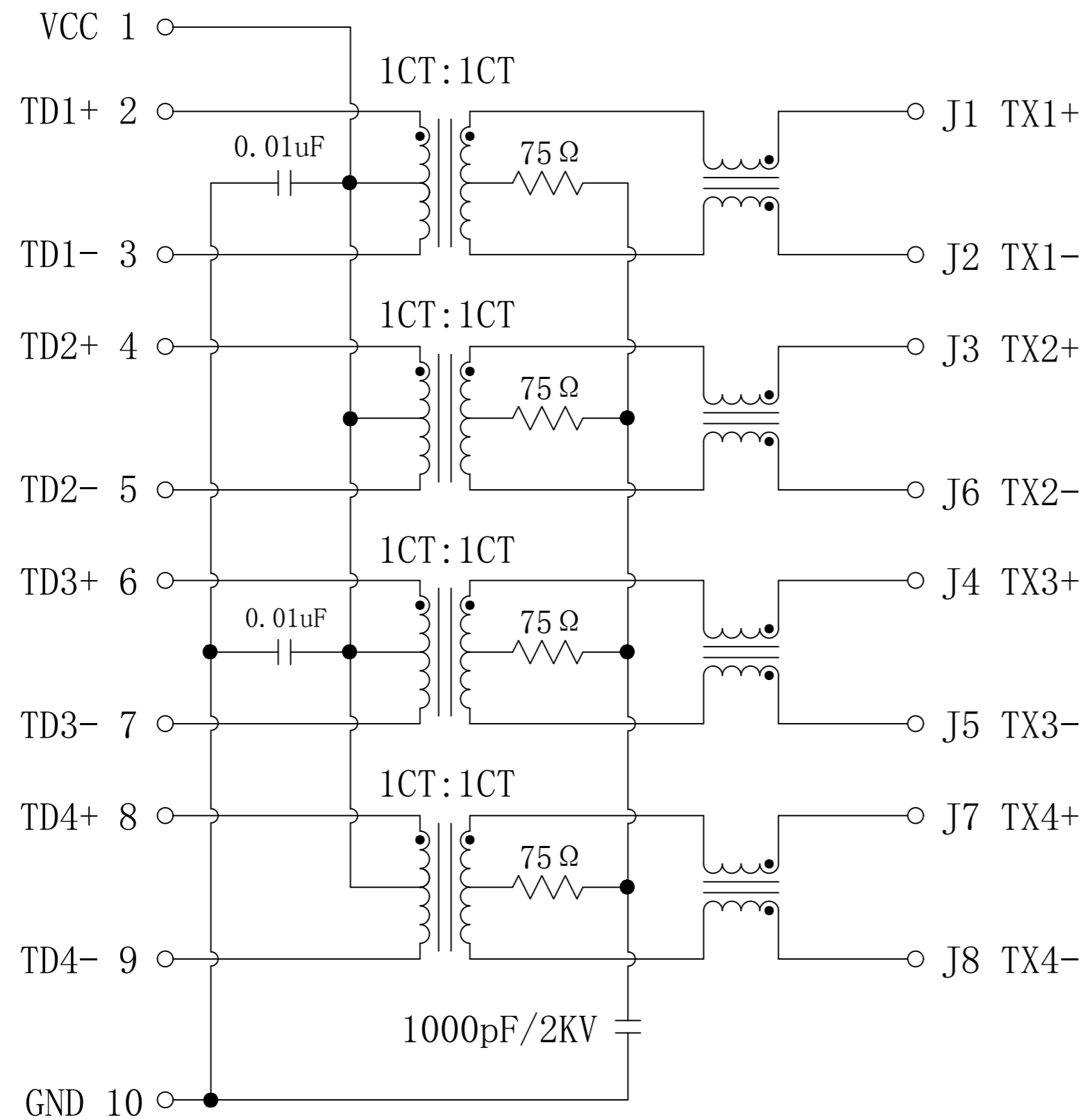


Schematic:

| REV. | ECN NO. | DESCRIPTION | DATE | APPD |
|------|---------|-------------|------------|------|
| A | REL | | 2016/07/05 | |

PC BOARD CONNECTIONS

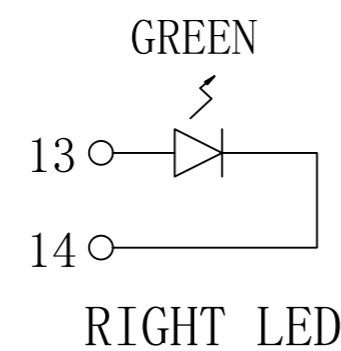
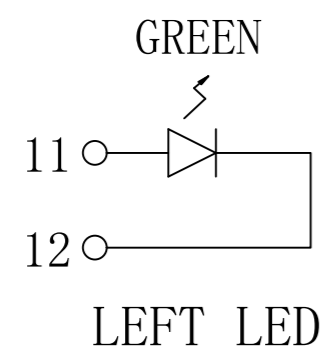


RJ45 CONNECTOR

Electrical Specifications @ 25°C

- Turns Ratio($\pm 2\%$):
1CT : 1CT
- Inductance(@100KHz, 100mV, 8mA DC Bias):
J1-J2; J3-J6; J4-J5; J7-J8: 350uH Min
- Insertion Loss:
1~100MHz:-1.0dB Max
- Return Loss(dB Min):
1~40MHz:-18 60MHz:-14
80MHz:-12 100MHz:-10
- Crosstalk:
1~100MHz:-30dB Min
- Common Mode Rejection:
1~100MHz:-30dB Min
- Isolation PHY SIDE To Line SIDE : 1500Vrms
- Operating Temperature Range: 0°C~70°C.

| Emitting Color | λ_p (nm) | VF@IF=20mA | IR @VR=5V |
|----------------|------------------|------------|----------------|
| GREEN | 565 | 1.8~2.6V | 10 μ A max |



| | | | | |
|----------------------|-------------|---|--------|---------------------|
| X:X ±0.30 | APPD: TOM | LINK-PP INT'L TECHNOLOGY CO., LIMITED | | |
| X:XX ±0.25 | CHKD: JAMES | | | |
| X:XXX ±0.05 | DR: LEO | | | |
| ANGLES $\pm 1^\circ$ | UNIT: mm | TITLE: RJ45 Connector with 1000 Base-T Integrated Magnetics | | |
| | | PART NO.: LPJG0826-8GFNL | | |
| | SCALE: 2/1 | SHEET: 1/2 | REV: A | DWG NO.: LP16070506 |

