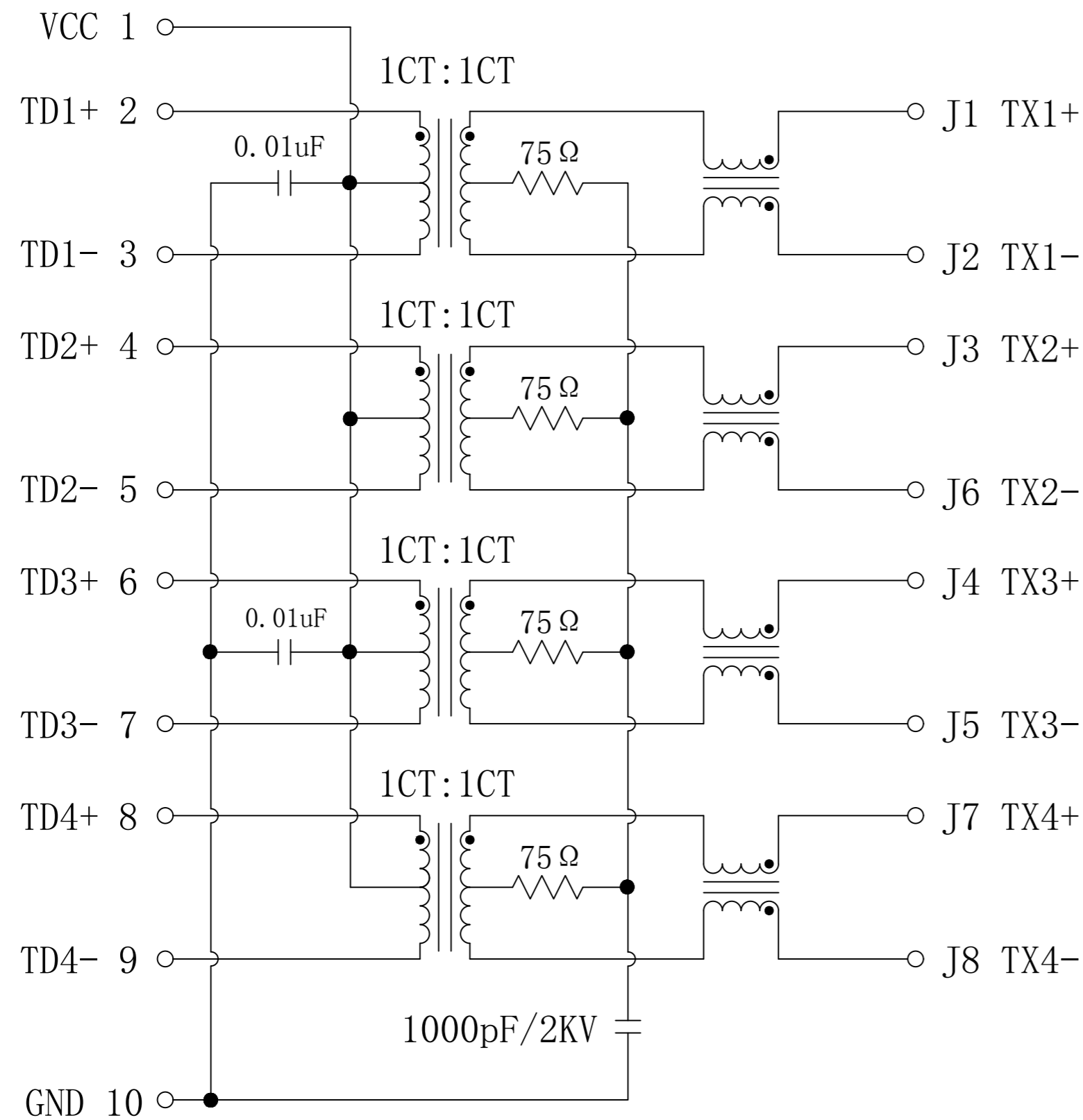


Schematic:

| REV. | ECN NO. | DESCRIPTION | DATE | APPD |
|------|---------|-------------|------------|------|
| A | REL | | 2016/07/05 | |

PC BOARD CONNECTIONS

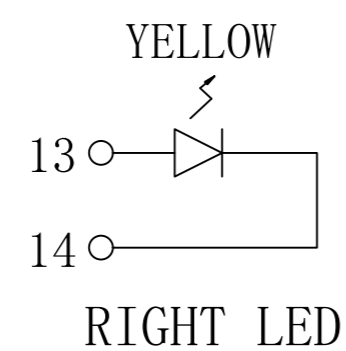
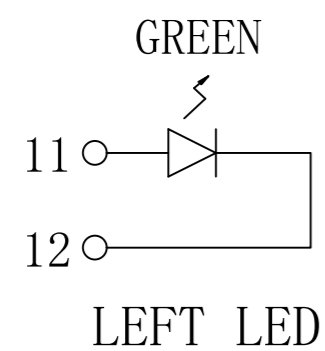


RJ45 CONNECTOR

Electrical Specifications @ 25°C

- Turns Ratio(±2%):
1CT : 1CT
- Inductance(@100KHz, 100mV, 8mA DC Bias):
J1-J2;J3-J6;J4-J5;J7-J8: 350uH Min
- Insertion Loss:
1~100MHz:-1.0dB Max
- Return Loss(dB Min):
1~40MHz:-18 60MHz:-14
80MHz:-12 100MHz:-10
- Crosstalk:
1~100MHz:-30dB Min
- Common Mode Rejection:
1~100MHz:-30dB Min
- Isolation PHY SIDE To Line SIDE : 1500Vrms
- Operating Temperature Range: 0°C~70°C.

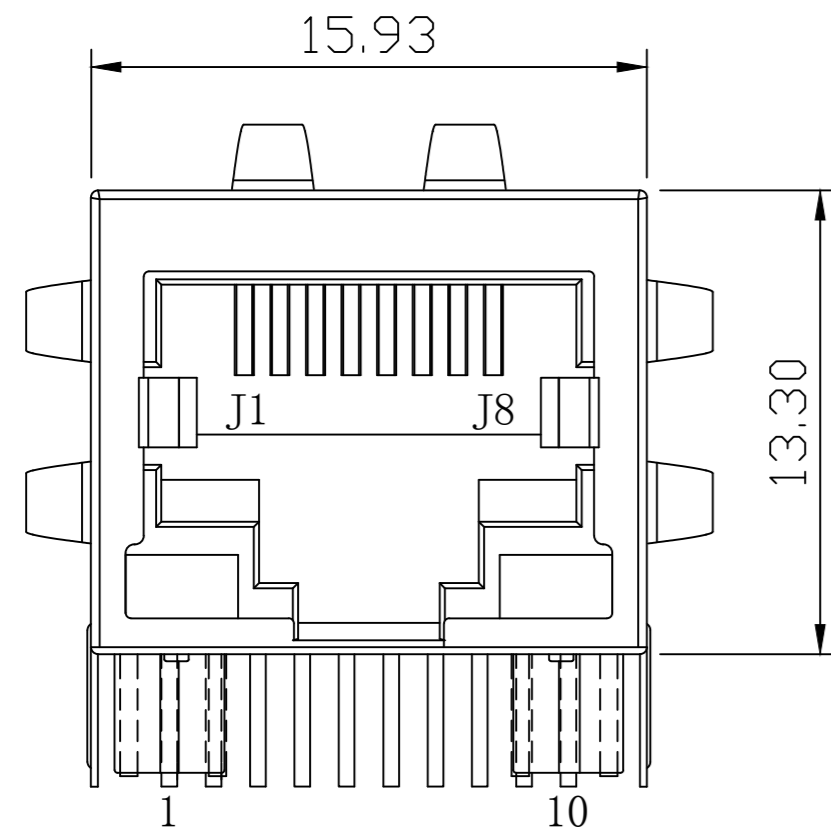
| Emitting Color | λ_p (nm) | VF@IF=20mA | IR @VR=5V |
|----------------|------------------|------------|----------------|
| GREEN | 565 | 1.8~2.6V | 10 μ A max |
| YELLOW | 585 | 1.8~2.6V | 10 μ A max |



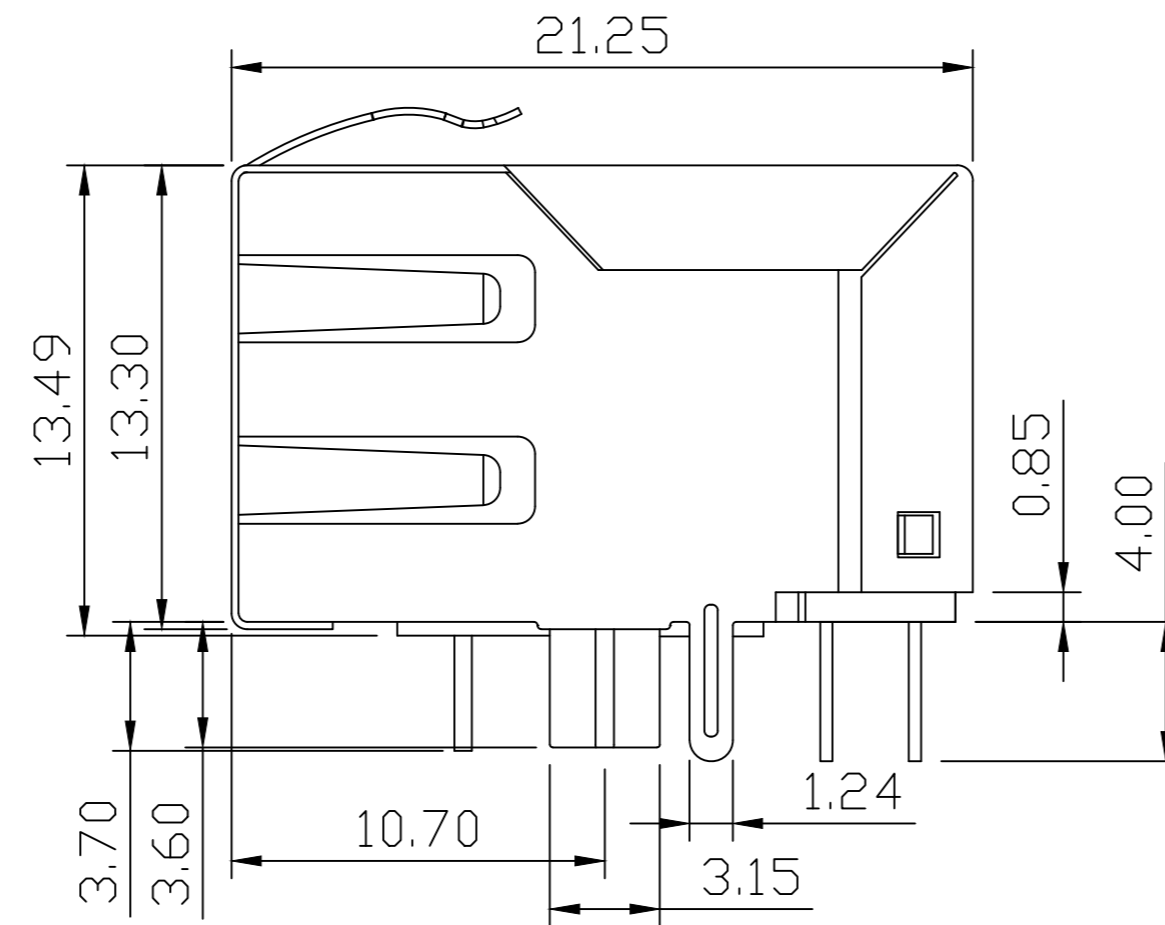
| | | | | |
|-------------|-------------|---|--------|---------------------|
| X:X ±0.30 | APPD: TOM | LINK-PP INT'L TECHNOLOGY CO., LIMITED | | |
| X:XX ±0.25 | CHKD: JAMES | | | |
| X:XXX ±0.05 | DR: LEO | | | |
| ANGLES ±1° | UNIT: mm | TITLE: RJ45 Connector with 1000 Base-T Integrated Magnetics | | |
| | | PART NO.: LPJG0826-8GENL | | |
| | SCALE: 2/1 | SHEET: 1/2 | REV: A | DWG NO.: LP16070507 |

Mechanical:

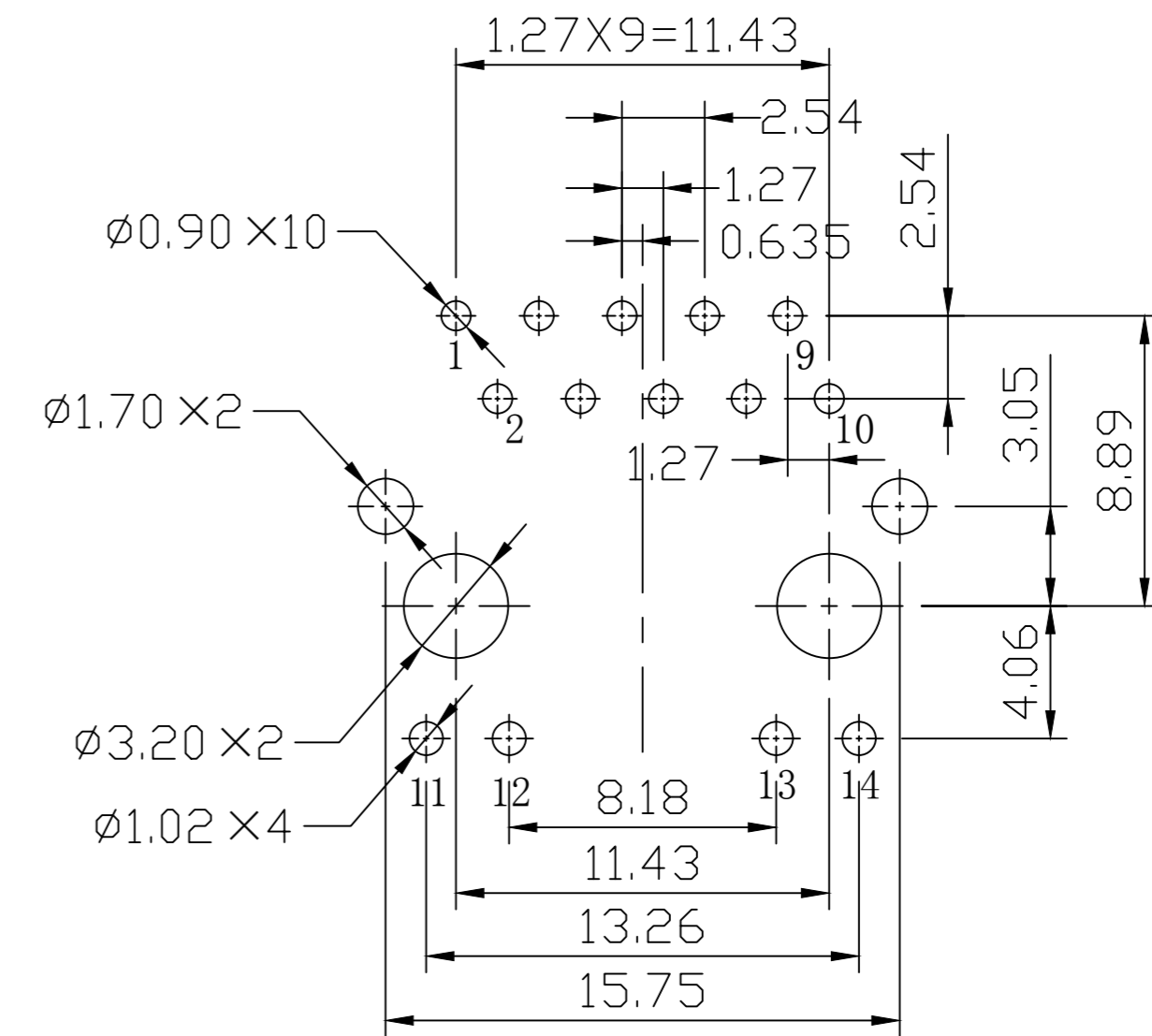
| REV. | ECN NO. | DESCRIPTION | DATE | APPD |
|------|---------|-------------|------------|------|
| A | REL | | 2016/07/05 | |



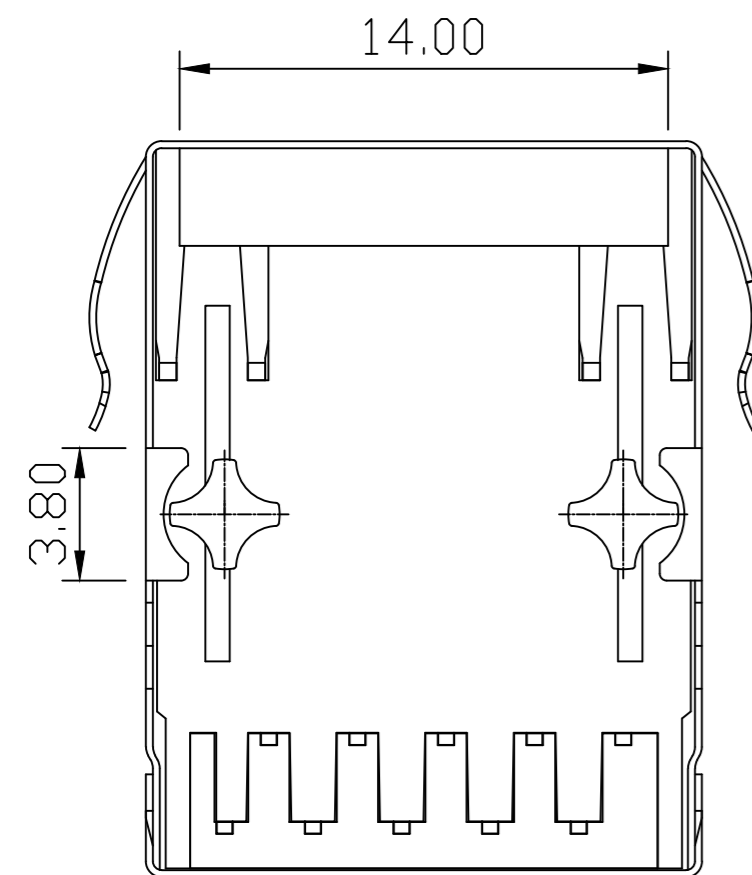
Front Side View



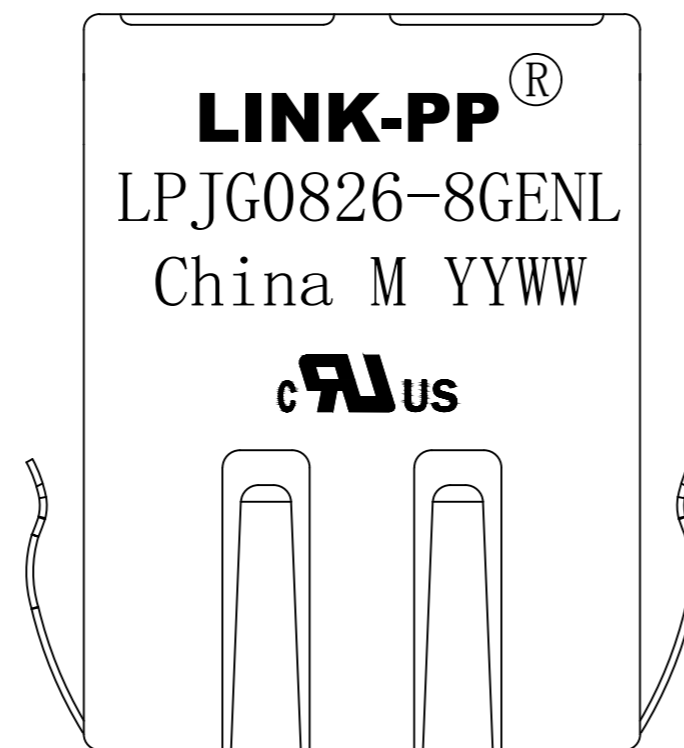
Left Side View



Suggested PCB Layout (Top View)



Bottom Side View



Top Side View

NOTES:

1. Designed to support application, such as SOHO (ADSL modems), LAN-on-Motherboard (LOM), hub and Switches.
2. Meets IEEE802.3 specification
3. Connector Materials:
 Housing: Thermoplastic PBT+30%G. F UL94V-0
 Contact: Phosphor Bronze C5210R-EH Thickness=0.35mm
 Pins: Brass C2680R-H Thickness=0.35mm
 Shield: SUS 304-1/2H Thickness=0.2mm
 Contact plating: Gold 30 micro-inches min. In contact area.
4. Wave solder tip temperature: 250°C, 5 Sec.
5. UL Certification: File Number E484635.



| | | | | |
|-------------|-------------|---|--------|---------------------|
| X:X ±0.30 | APPD: TOM | LINK-PP INT'L TECHNOLOGY CO., LIMITED | | |
| X:XX ±0.25 | CHKD: JAMES | | | |
| X:XXX ±0.05 | DR: LEO | | | |
| ANGLES ±1° | UNIT: mm | TITLE: RJ45 Connector with 1000 Base-T Integrated Magnetics | | |
| | | PART NO.: LPJG0826-8GENL | | |
| | SCALE: 2/1 | SHEET: 2/2 | REV: A | DWG NO.: LP16070507 |