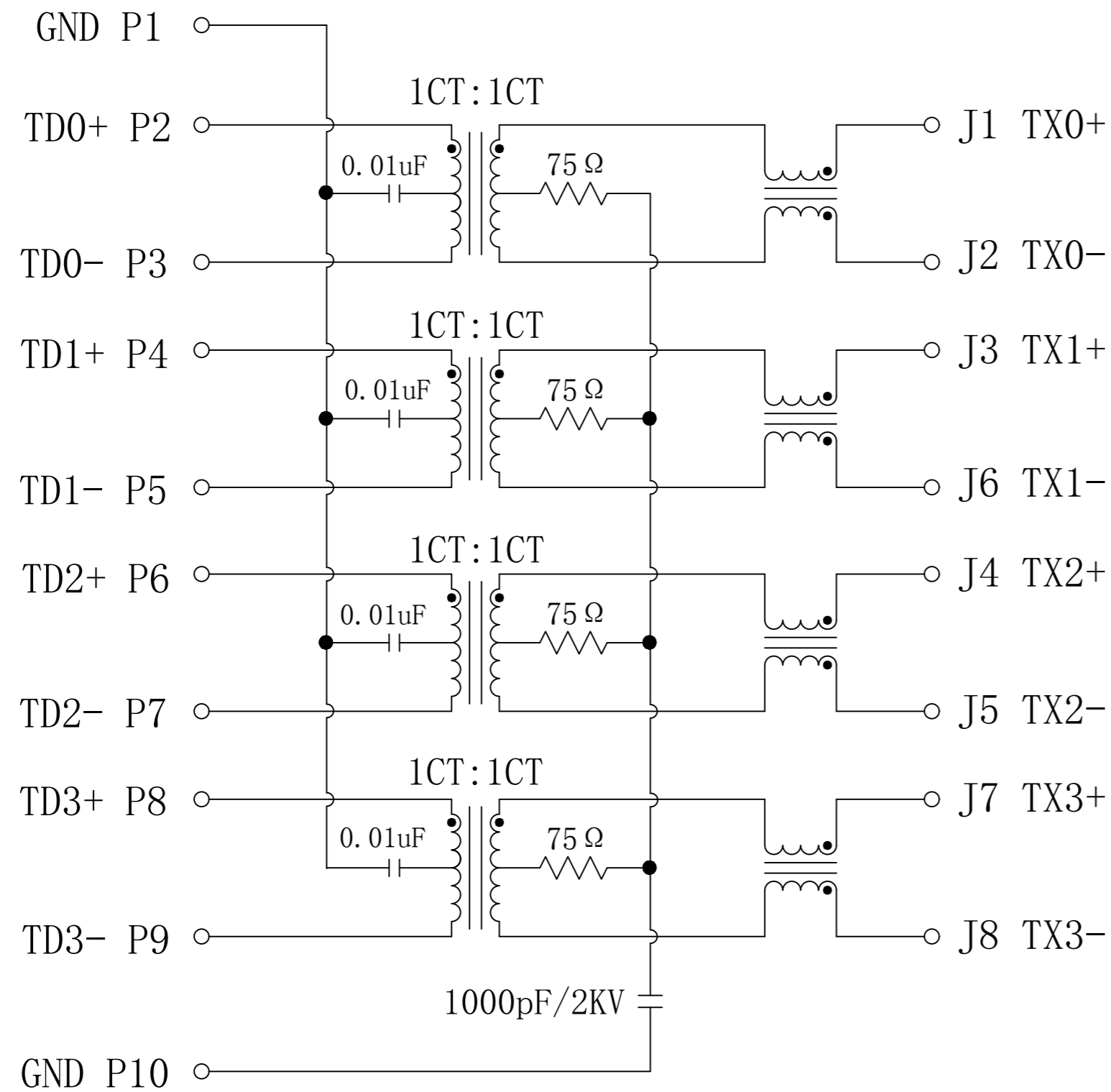


Schematic:

REV.	ECN NO.	DESCRIPTION	DATE	APPD
A	REL		2019/01/08	

PC BOARD CONNECTIONS

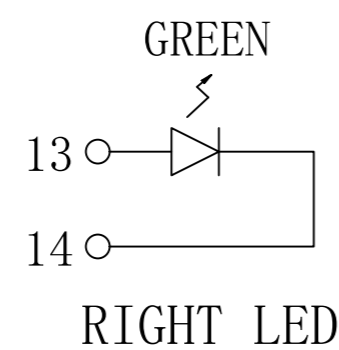
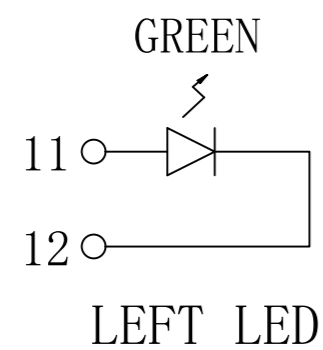


RJ45 CONNECTOR

Electrical Specifications @ 25°C

- Turns Ratio ($\pm 2\%$):
Pri : Sec = 1CT : 1CT
- Inductance (@100KHz, 100mV, 8mA DC Bias):
J1-J2; J3-J6; J4-J5; J7-J8: 350uH Min
- Insertion Loss (dB Max):
1~65MHz: -0.5 65~100MHz: -0.8
100~125MHz: -1.2
- Return Loss (dB Min @ 100 Ω):
1~30MHz: -16 30~40MHz: -13.5
40~50MHz: -11.5 60~80MHz: -10
- Crosstalk:
1~100MHz: -30dB Min
- Common Mode Rejection:
1~100MHz: -30dB Min
- Isolation PHY SIDE To Line SIDE : 1500Vrms
- Operating Temperature Range: 0°C ~ 70°C.

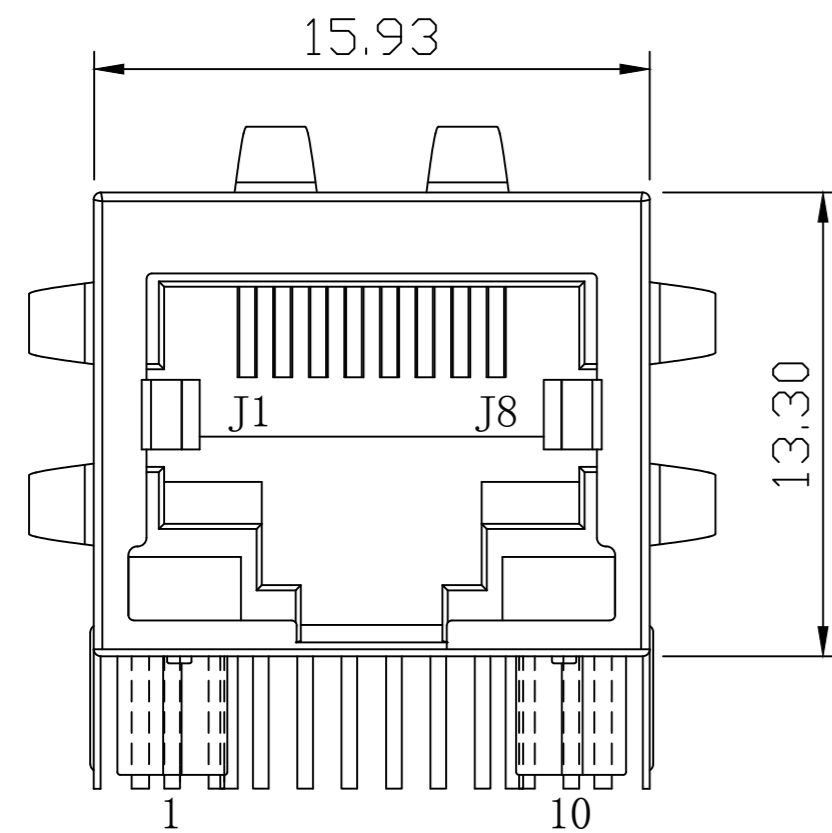
Emitting Color	λ_p (nm)	V _F @I _F =20mA	I _R @V _R =5V
GREEN	565	1.8~2.6V	10 μ A max
YELLOW	585	1.8~2.6V	10 μ A max



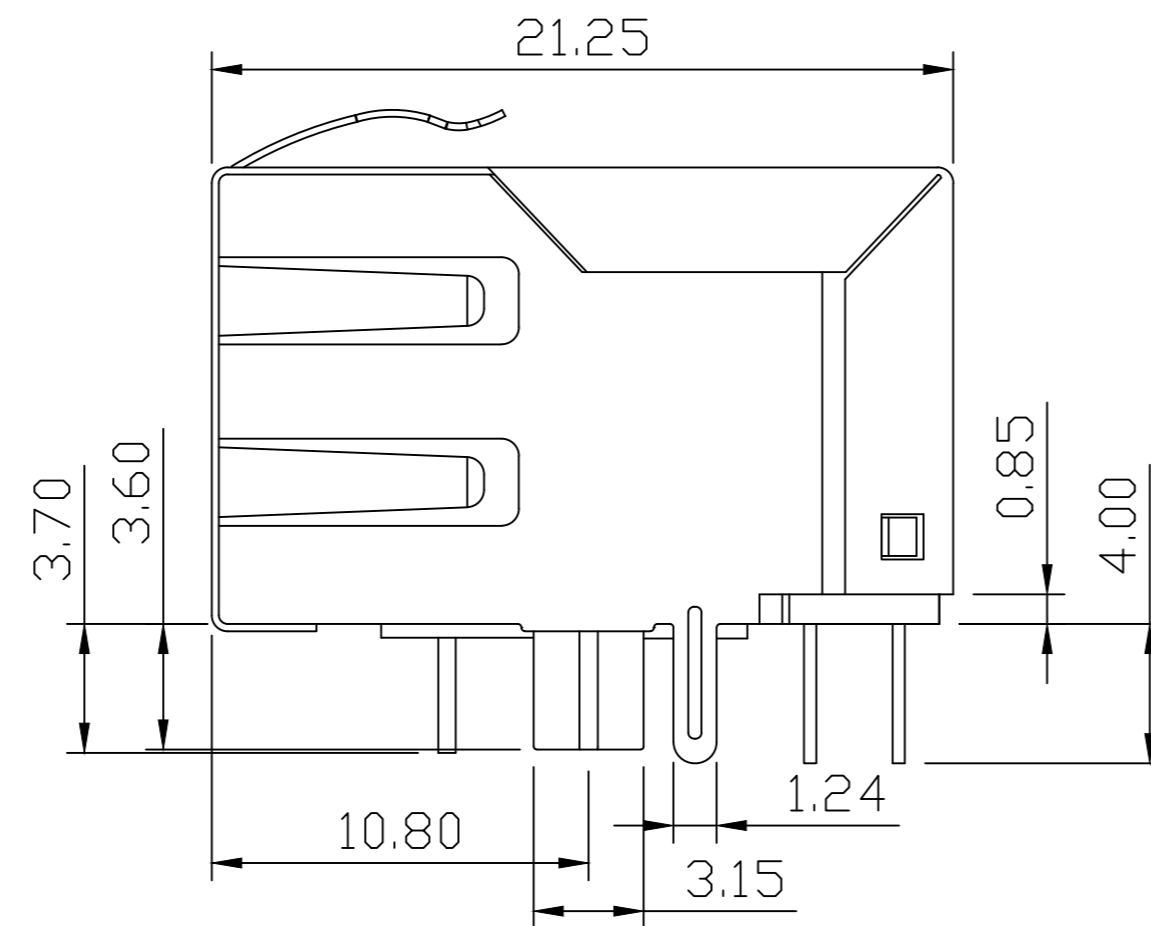
X:X	± 0.30	APPD: TOM	LINK-PP INT'L TECHNOLOGY CO., LIMITED
X:XX	± 0.25	CHKD: JAMES	
X:XXX	± 0.05	DR: LEO	TITLE: RJ45 Connector with 1000 Base-T Integrated Magnetics
ANGLES	$\pm 1^\circ$	UNIT: mm	PART NO.: LPJG08204-8GFNL
	SCALE: 2/1	SHEET: 1/2	REV: A DWG NO.: LP19010811

Mechanical:

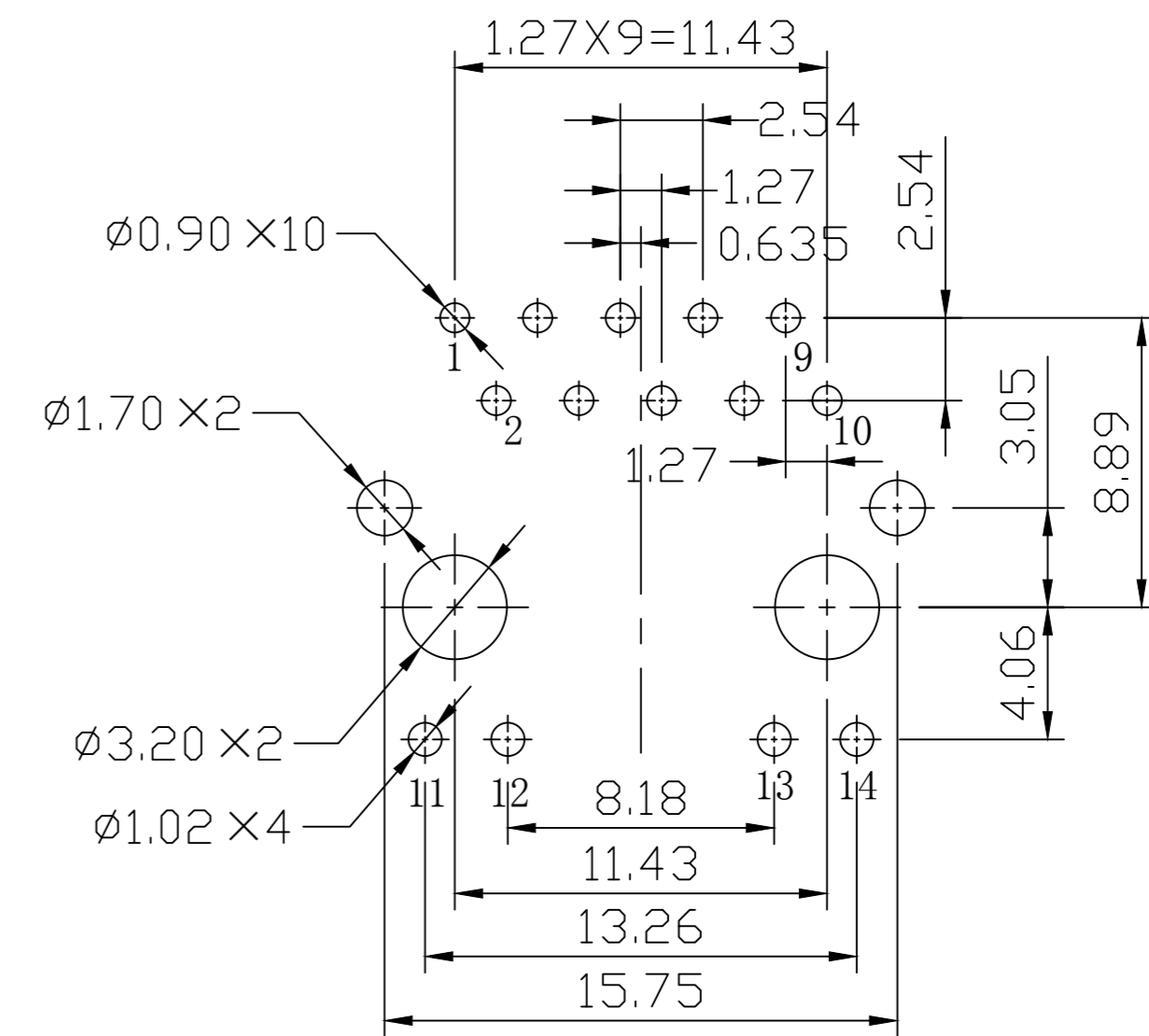
REV.	ECN NO.	DESCRIPTION	DATE	APPD
A	REL		2019/01/08	



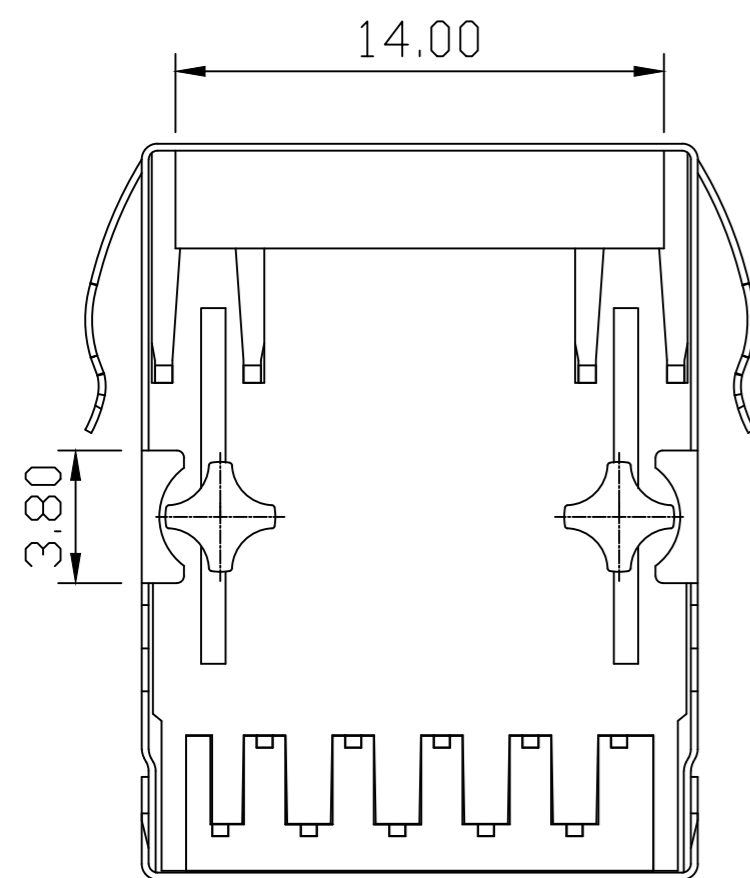
Front Side View



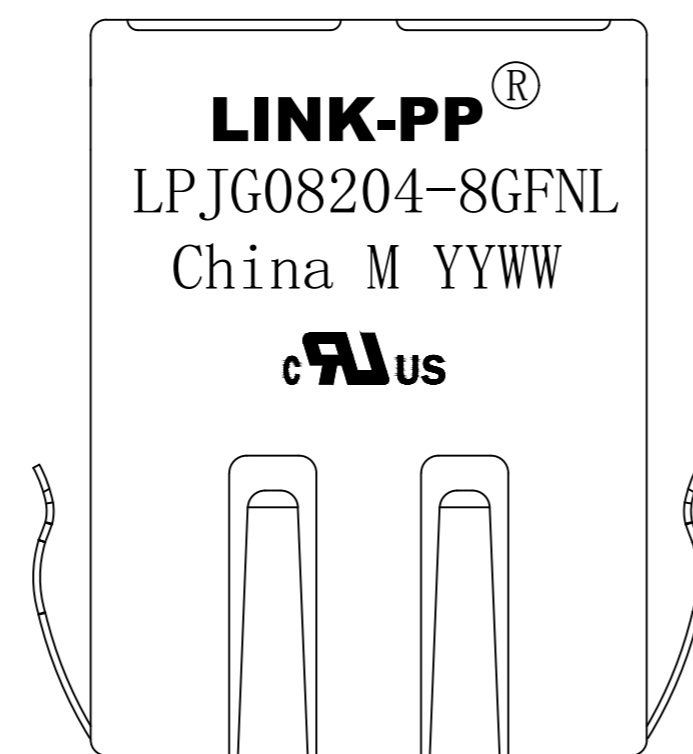
Left Side View



Suggested PCB Layout (Top View)



Bottom Side View



Top Side View

NOTES:

1. Designed to support application, such as SOHO (ADSL modems), LAN-on-Motherboard (LOM), hub and Switches.
2. Meets IEEE802.3 specification
3. Connector Materials:
 Housing: Thermoplastic PBT+30%G.F UL94V-0
 Contact: Phosphor Bronze C5210R-EH Thickness=0.35mm
 Pins: Brass C2680R-H Thickness=0.35mm
 Shield: SUS 304-1/2H Thickness=0.2mm
 Contact plating: Gold 30 micro-inches min. In contact area.
4. Wave solder tip temperature: 250°C, 5 Sec.
5. UL Certification: File Number E484635.



X:X ±0.30	APPD: TOM	LINK-PP INT'L TECHNOLOGY CO., LIMITED
X:XX ±0.25	CHKD: JAMES	
X:XXX ±0.05	DR: LEO	TITLE: RJ45 Connector with 1000 Base-T Integrated Magnetics
ANGLES ±1°	UNIT: mm	PART NO.: LPJG08204-8GFNL
	SCALE: 2/1	SHEET: 2/2
	REV: A	DWG NO.: LP19010811