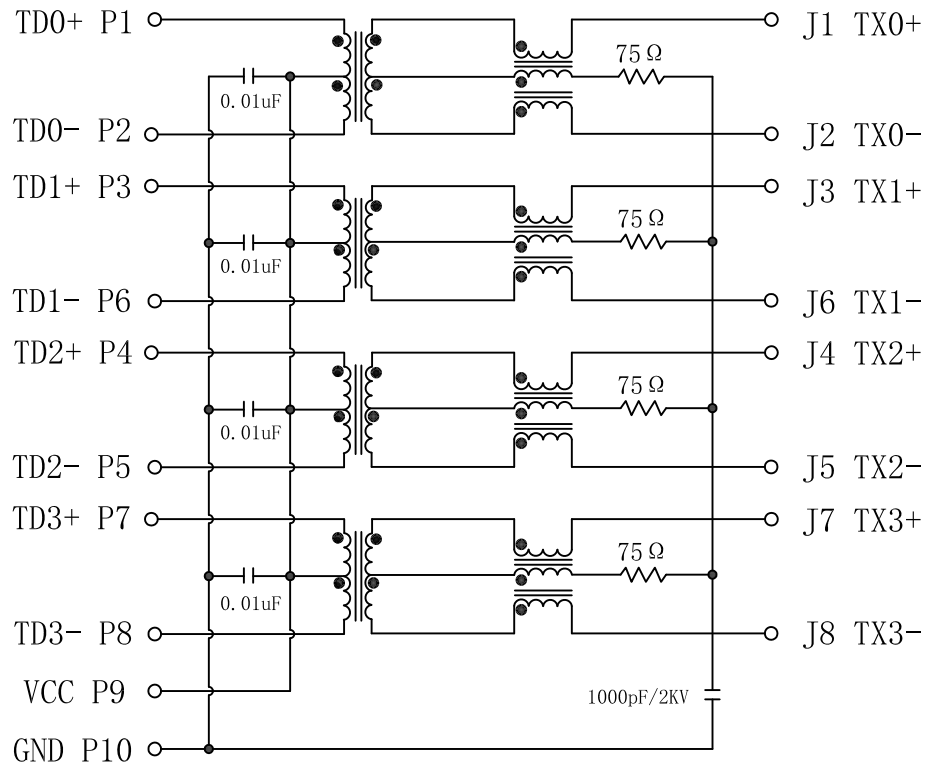


Schematic:

REV.	ECN NO.	DESCRIPTION	DATE	APPD
A	REL		2010/06/17	

PC BOARD CONNECTIONS



RJ45 CONNECTOR

ELECTRICAL SPECIFICATIONS @25°C

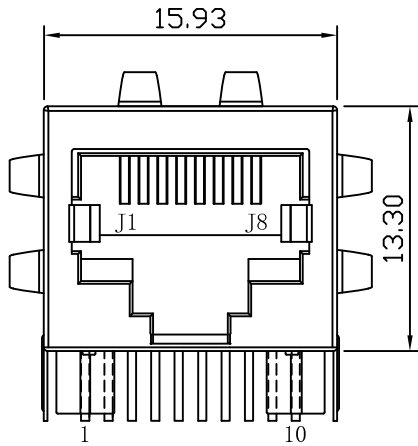
- Turn Ratio ($\pm 2\%$):
TX=1CT:1CT RX=1CT:1CT
- Inductance OCL:
350uH MIN @100KHz/0.1V, 8mA DC Bias
- Insertion Loss:
-1.1dB MAX @ 0.1-100MHz
- Return Loss:
-18dB MIN @ 1-40MHz
-14.5dB MIN @ 60MHz
-12dB MIN @ 80MHz
-10dB MIN @ 100MHz
- Cross talk:
-40dB MIN @ 1-30MHz
-35dB MIN @ 30-60MHz
-30dB MIN @ 60-100MHz
- Common Mode Rejection:
-40dB TYP @ 0.1-100MHz
- Hipot Test: 1500Vrms
- Operating Temperature: 0°C TO 70°C.



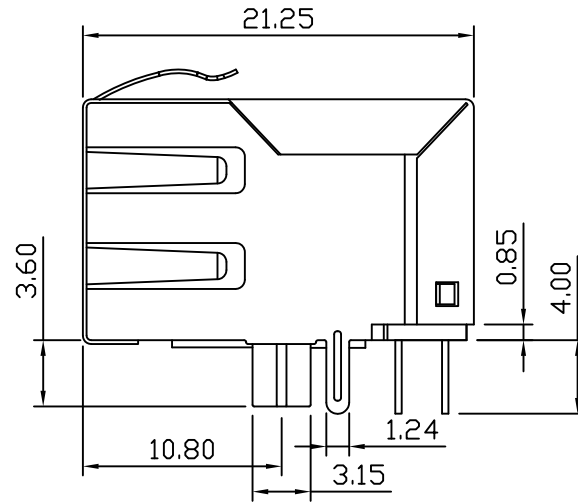
X:X	± 0.30	APPD:	LINK-PP INT'L TECHNOLOGY CO., LIMITED	
X:XX	± 0.25	CHKD:	TITLE: RJ45 Connector with 1000 Base-T Integrated Magnetics	
X:XXX	± 0.05	DR: TOM	PART NO.: LPJG0805CNL	
ANGLES	$\pm 1^\circ$	UNIT: mm	DWG NO.: LP10061702	
	SCALE: 2/1	SHEET: 1/2	REV: A	

Mechanical:

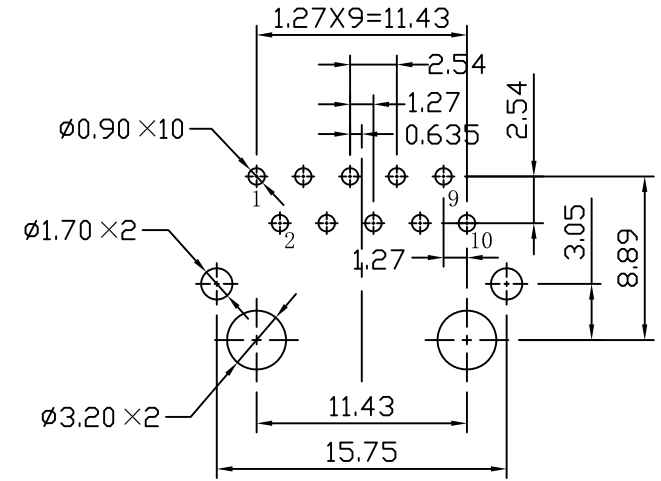
REV.	ECN NO.	DESCRIPTION	DATE	APPD
A	REL		2010/06/17	



Front Side View



Left Side View

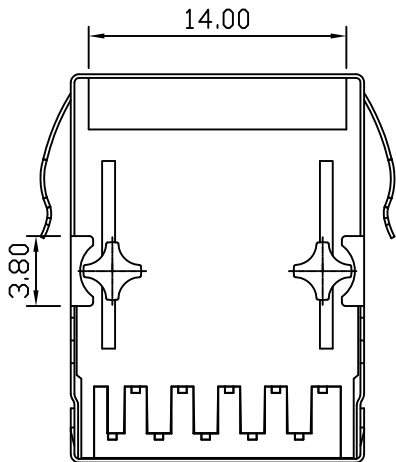


Suggested PCB Layout (Top View)

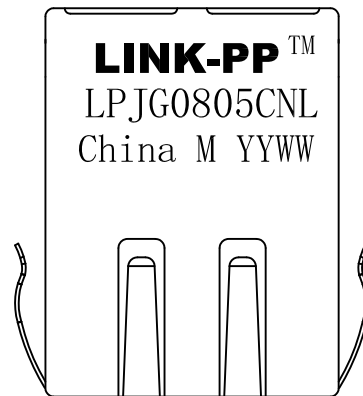


NOTES:

1. Designed to support application, such as SOHO (ADSL modems), LAN-on-Motherboard (LOM), hub and Switches.
2. Meets IEEE802.3 specification
3. Connector Materials:
 Housing: Thermoplastic PBT+30%G.F UL94V-0
 Contact: Phosphor Bronze C5210R-EH Thickness=0.35mm
 Pins: Brass C2680R-H Thickness=0.35mm
 Shield: SUS 201-1/2H Thickness=0.2mm
 Contact plating: Gold 6 micro-inches min. In contact area.
4. Wave solder tip temperature: 265°C Max, 5 Sec Max.
5. UL Certification: File Number E484635.



Bottom Side View



Top Side View

X:X ±0.30	APPD:	LINK-PP INT'L TECHNOLOGY CO., LIMITED
X:XX ±0.25	CHKD:	
X:XXX ±0.05	DR: TOM	TITLE: RJ45 Connector with 1000 Base-T Integrated Magnetics
ANGLES ±1°	UNIT: mm	PART NO.: LPJG0805CNL
	SCALE: 2/1	SHEET: 2/2
	REV: A	DWG NO.: LP10061702