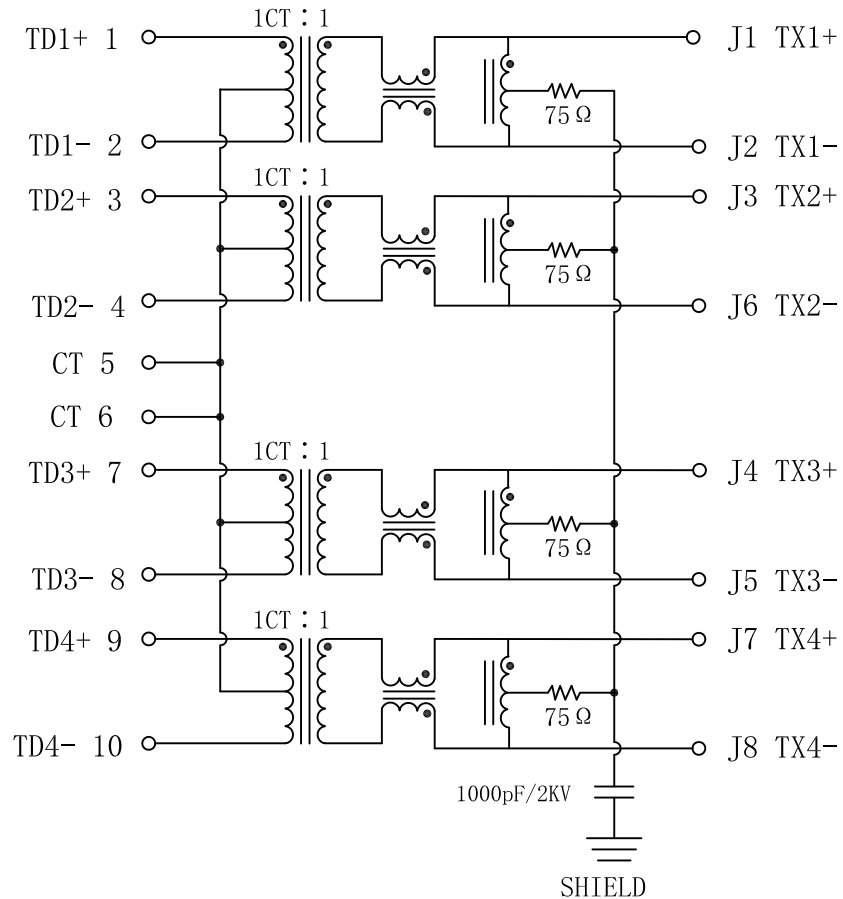


# Schematic:

REV.	ECN NO.	DESCRIPTION	DATE	APPD
A	REL		2010/07/16	

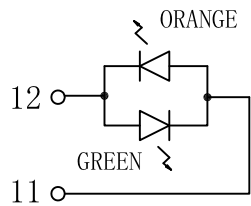
PCB CONNECTIONS



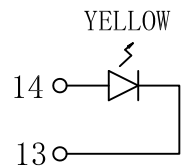
RJ45 CONNECTOR

## Electrical Specifications @ 25°C

- Turns Ratio:  
Pri : Sec = 1CT : 1
- INDUCTANCE (@100KHz, 100mV, 8mA DC Bias):  
J1-J2; J3-J6; J4-J5; J7-J8: 350uH Min
- Insertion Loss:  
1~100MHz: -1.0dB Max
- Return Loss (dB Min. load 100 Ω):  
1~30MHz: -18      30~60MHz: -16  
60~80MHz: -12      80~100MHz: -10
- Crosstalk:  
1~100MHz: -30dB Min
- Common Mode Rejection:  
1~100MHz: -30dB Min
- Isolation Voltage: 1500Vrms
- Operating Temperature Range: 0°C ~ 70°C.



LEFT LED



RIGHT LED

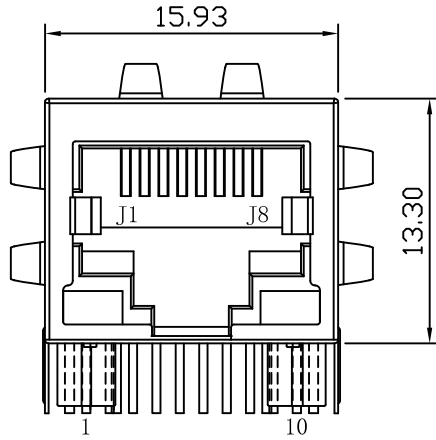


Emitting Color	$\lambda$ p(nm)	VF@IF=20mA	IR @VR=5V
ORANGE / GREEN	610 / 565	1.8~2.6V	10 $\mu$ A max
YELLOW	585	1.8~2.6V	10 $\mu$ A max

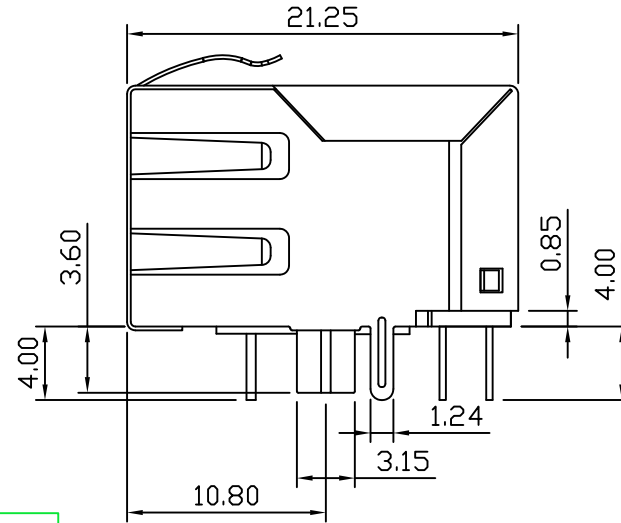
X:X	$\pm 0.30$	APPD:	LINK-PP INT'L TECHNOLOGY CO., LIMITED
X:XX	$\pm 0.25$	CHKD:	
X:XXX	$\pm 0.05$	DR: TOM	TITLE: RJ45 Connector With 1000 Base-T Integrated Magnetics
ANGLES	$\pm 1^\circ$	UNIT: mm	PART NO.: LPJG0803G25NL
	SCALE: 2/1	SHEET: 1/2	REV: A
			DWG NO.: LP10071642

# Mechanical:

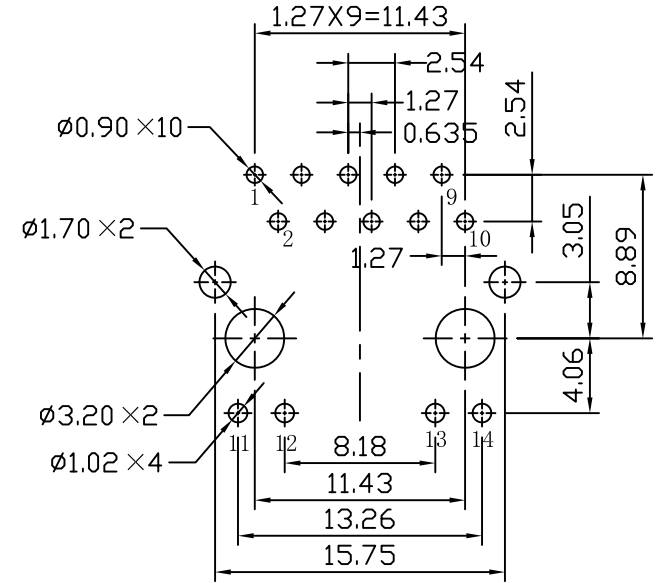
REV.	ECN NO.	DESCRIPTION	DATE	APPD
A	REL		2010/07/16	



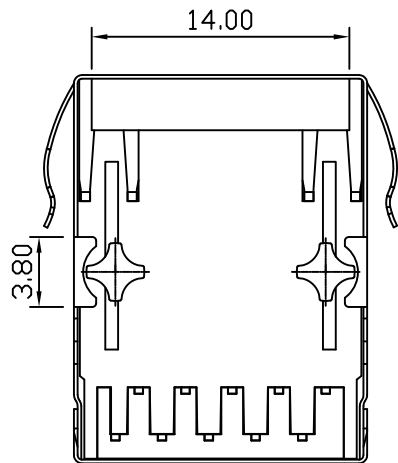
Front Side View



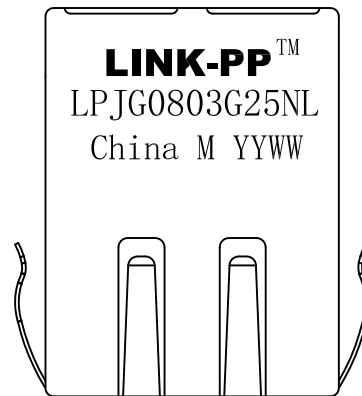
Left Side View



Suggested PCB Layout (Top View)



Bottom Side View



Top Side View

### NOTES:

1. Designed to support application, such as SOHO (ADSL modems), LAN-on-Motherboard (LOM), hub and Switches.
2. Meets IEEE802.3 specification
3. Connector Materials:  
 Housing: Thermoplastic PBT+30%G. F UL94V-0  
 Contact: Phosphor Bronze C5210R-EH Thickness=0.35mm  
 Pins: Brass C2680R-H Thickness=0.35mm  
 Shield: SUS 201-1/2H Thickness=0.2mm  
 Contact plating: Gold 6 micro-inches min. In contact area.
4. Wave solder tip temperature: 265°C Max, 5 Sec.
5. UL Certification: File Number E484635.

X:X	±0.30	APPD:	LINK-PP INT'L TECHNOLOGY CO., LIMITED	
X:XX	±0.25	CHKD:	TITLE: RJ45 Connector With 1000 Base-T Integrated Magnetics	
X:XXX	±0.05	DR: TOM	PART NO.: LPJG0803G25NL	
ANGLES	±1°	UNIT: mm	DWG NO.: LP10071642	
		SCALE: 2/1	SHEET: 2/2	REV: A