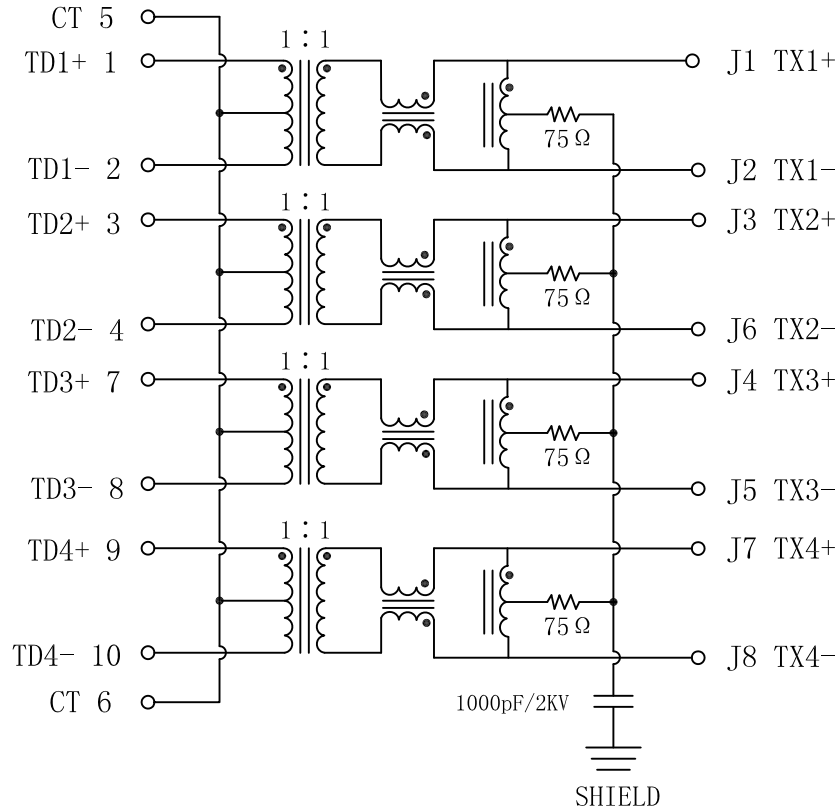


Schematic:

| REV. | ECN NO. | DESCRIPTION | DATE | APPD |
|------|---------|-------------|------------|------|
| A | REL | | 2010/07/16 | |

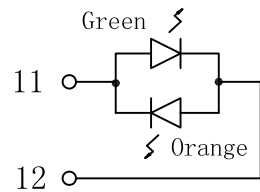
PCB CONNECTIONS



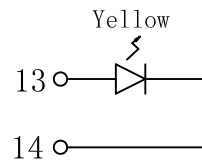
RJ45 CONNECTOR

Electrical Specifications @ 25°C

- Turns Ratio:
1CT : 1
- INDUCTANCE (@100KHz, 100mV, 8mA DC BIAS) :
J1-J2; J3-J6; J4-J5; J7-J8: 350uH Min
- Insertion Loss:
1~100MHz: -1.0dB Max
- Return Loss (dB Min. load 100 Ω) :
1~30MHz: -18 30~60MHz: -16
60~80MHz: -12 80~100MHz: -10
- Crosstalk:
1~100MHz: -30dB Min
- Common Mode Rejection:
1~100MHz: -30dB Min
- Isolation Voltage: 1500Vrms
- Operating Temperature Range: 0°C ~ 70°C.



LEFT LED



RIGHT LED

| Emitting Color | λ p(nm) | VF@IF=20mA | IR @VR=5V |
|----------------|---------|------------|------------|
| Yellow | 585 | 1.8~2.6V | 10 μ A max |
| Green/Orange | 565/610 | 1.8~2.6V | 10 μ A max |



| | | | | |
|-------------|------------|---|--------|--|
| X:X ±0.30 | APPD: | LINK-PP INT'L TECHNOLOGY CO., LIMITED | | |
| X:XX ±0.25 | CHKD: | TITLE: RJ45 Connector With 1000 Base-T Integrated Magnetics | | |
| X:XXX ±0.05 | DR: TOM | PART NO.: LPJG0803A61NL | | |
| ANGLES ±1° | UNIT: mm | DWG NO.: LP10071636 | | |
| | SCALE: 2/1 | SHEET: 1/2 | REV: A | |

