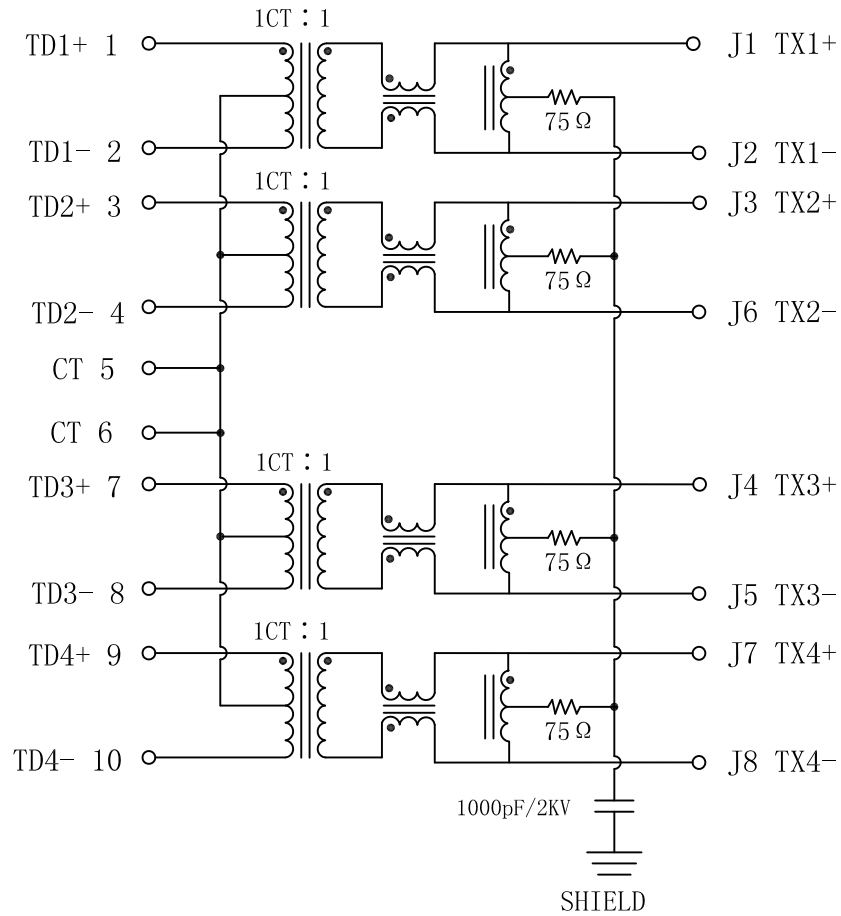


# Schematic:

REV.	ECN NO.	DESCRIPTION	DATE	APPD
A	REL		2014/06/11	

PC BOARD CONNECTIONS

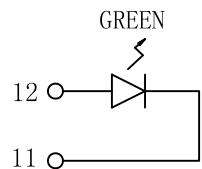


RJ45 CONNECTOR

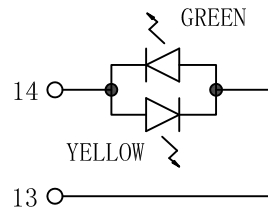
### ELECTRICAL SPECIFICATIONS @25°C

- Turn Ratio ( $\pm 2\%$ ):  
Pri : Sec = 1CT : 1
- Inductance OCL: 350uH MIN  
@100KHz, 0.1V, 8mA DC Bias
- Insertion Loss:  
-1.2dB MAX @0.3~100MHz
- Return Loss:  
-16dB MIN, Load 100  $\Omega$  @1~30MHz  
-13.5dB MIN, Load 100  $\Omega$  @40MHz  
-11.5dB MIN, Load 100  $\Omega$  @50MHz  
-10dB MIN, Load 100  $\Omega$  @60~80MHz
- Cross talk:  
-40dB MIN @30MHz  
-36dB MIN @60MHz  
-30dB MIN @100MHz
- Common Mode Rejection:  
-35dB MIN @30MHz  
-32dB MIN @60MHz  
-30dB MIN @100MHz
- Hipot Test: 1500Vrms MIN
- Operating Temperature Range: 0°C~70°C.

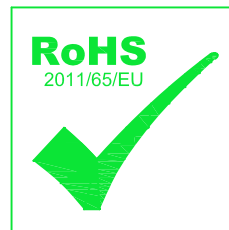
Emitting Color	$\lambda_p$ (nm)	V <sub>F</sub> @I <sub>F</sub> =20mA	I <sub>R</sub> @V <sub>R</sub> =5V
GREEN	565	1.8~2.6V	10 $\mu$ A max
YELLOW	585	1.8~2.6V	10 $\mu$ A max



LEFT LED



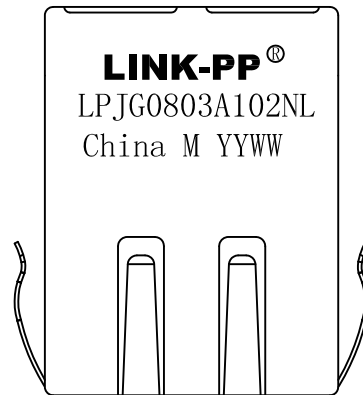
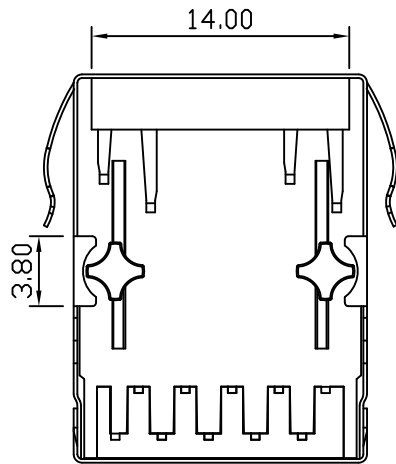
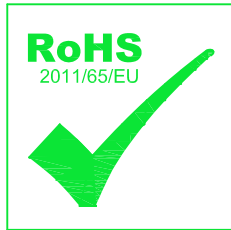
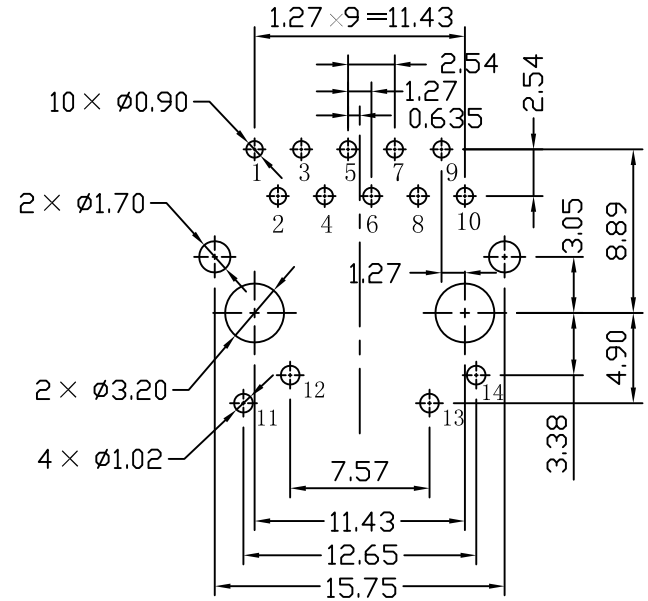
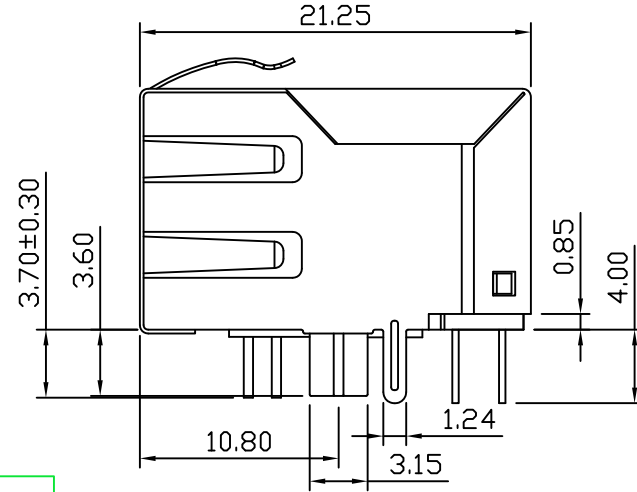
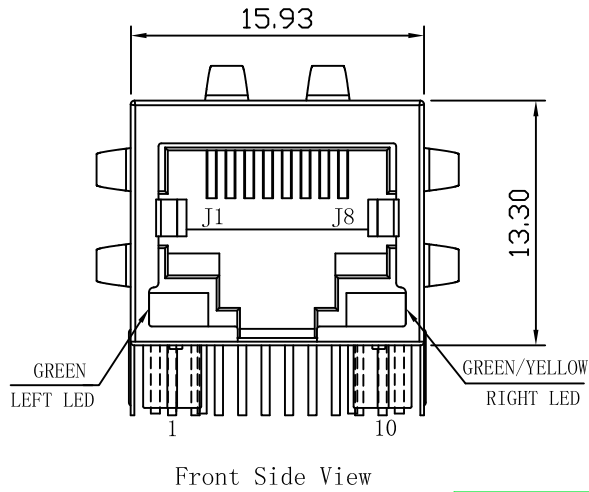
RIGHT LED



X:X	$\pm 0.30$	APPD:	LINK-PP INT'L TECHNOLOGY CO., LIMITED	
X:XX	$\pm 0.25$	CHKD:	TITLE: RJ45 Connector with 1000 Base-T Integrated Magnetics	
X:XXX	$\pm 0.05$	DR: TOM		
ANGLES	$\pm 1^\circ$	UNIT: mm	PART NO.: LPJG0803A102NL	
	SCALE: 2/1	SHEET: 1/2	REV: A	DWG NO.: LP14070755

# Mechanical:

REV.	ECN NO.	DESCRIPTION	DATE	APPD
A	REL		2014/07/07	



### NOTES:

1. Designed to support application, such as SOHO (ADSL modems), LAN-on-Motherboard (LOM), hub and Switches.
2. Meets IEEE 802.3 specification
3. Connector Materials:  
 Housing Material: Thermoplastic PBT+30%G.F UL94V-0  
 Contact Material: Phosphor Bronze C5210R-EH Thickness=0.35mm  
 Pins: Brass C2680R-H Thickness=0.35mm  
 Shield: SUS S201-1/2H Thickness=0.2mm  
 Contact plating: Gold 6 micro-inches min. In contact area.
4. Wave solder tip temperature: 265°C Max, 5 Sec.
5. UL Certification: File Number E484635.

X:X ±0.30	APPD:	LINK-PP INT'L TECHNOLOGY CO., LIMITED
X:XX ±0.25	CHKD:	
X:XXX ±0.05	DR: TOM	TITLE: RJ45 Connector with 1000 Base-T Integrated Magnetics
ANGLES ±1°	UNIT: mm	PART NO.: LPJG0803A102NL
	SCALE: 2/1	SHEET: 2/2
	REV: A	DWG NO.: LP14070755