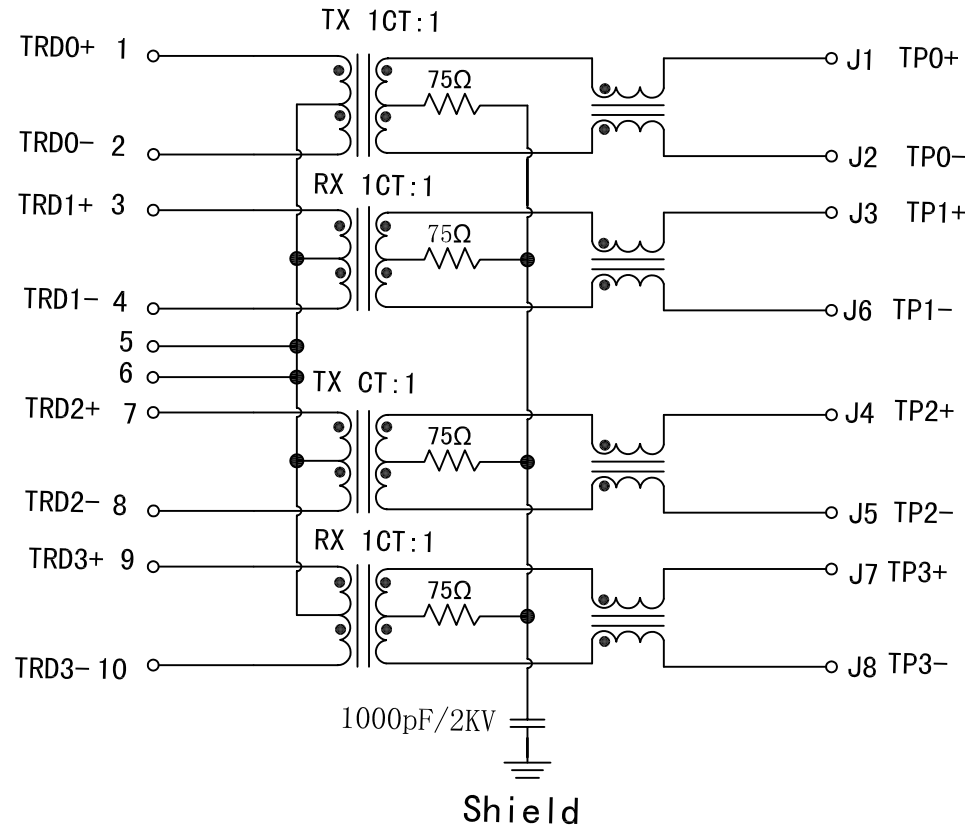


Schematic:

REV.	ECN NO.	DESCRIPTION	DATE	APPD
A	REL		17/12/2009	

PC BOARD CONNECTIONS



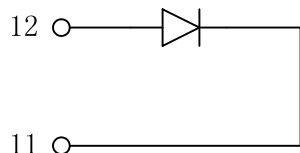
RJ45 CONNECTOR

Electrical Specifications @25°C

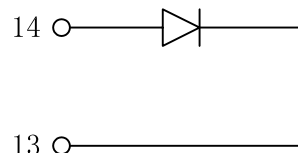
- Turns Ratio ($\pm 2\%$):
TX=1CT:1CT RX=1CT:1CT
- OCL: 350uH Min
@100KHz/0.1V With 8mA DC Bias
- Return Loss (dB MIN):
1-30MHz: -18 30-60MHz: -16
60-80MHz: -12 80-100MHz: -10
- Crosstalk (dB MIN):
1-30MHz: -40 30-60MHz: -35
60-100MHz: -30
- Insertion Loss:
1-100MHz: -1.0dB MAX
- CMR (dB MIN):
1-50MHz: -40 50-150MHz: -30
- Hipot: 1500Vrms
- Operating Temperature: 0°C ~ +70°C.



GREEN/LEFT LED



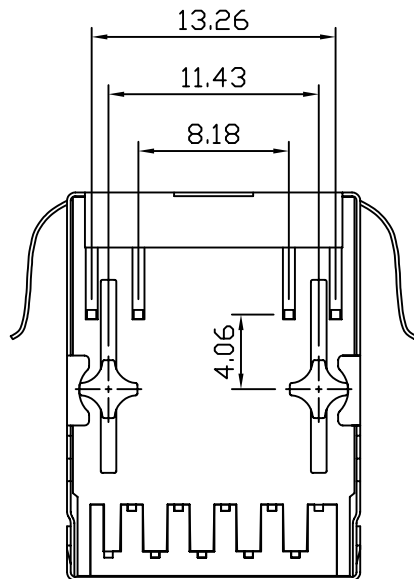
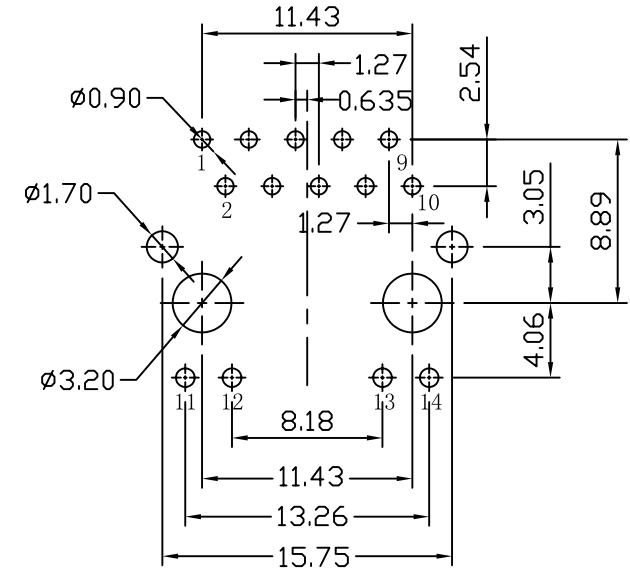
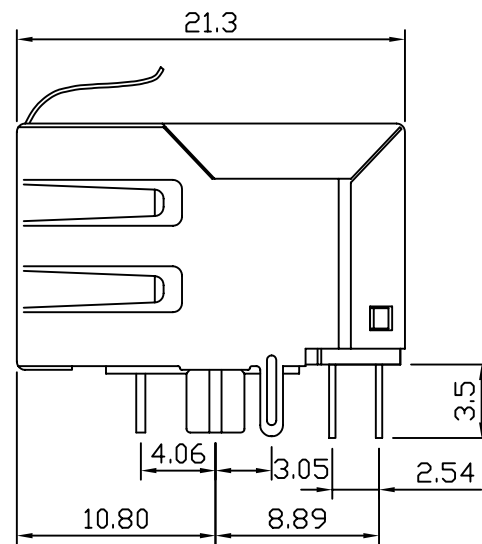
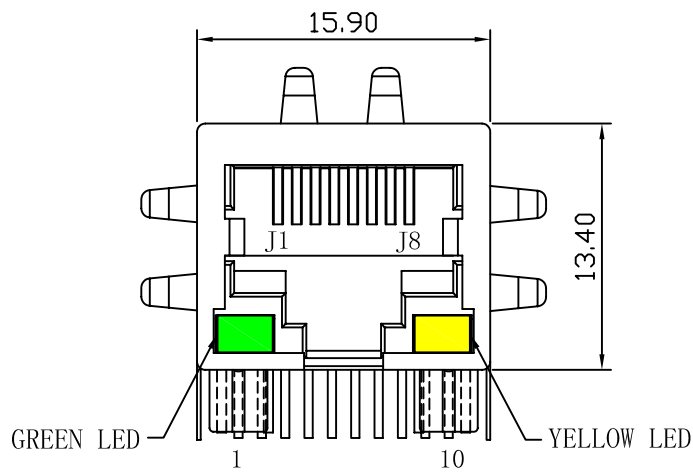
YELLOW/RIGHT LED



X:X ±0.30	APPD:	LINK-PP INT'L TECHNOLOGY CO., LIMITED		
X:XX ±0.20	CHKD:			
X:XXX ±0.05	DR: TOM	TITLE: RJ45 Connector with 1000 Base-T Integrated Magnetics		
ANGLES ±1°	UNIT: mm	PART NO.: LPJG0801GHNL		
	SCALE: 2/1	SHEET: 1/2	REV: A	DWG NO.: LP09121706

Mechanical:

REV.	ECN NO.	DESCRIPTION	DATE	APPD
A	REL		17/12/2009	



NOTES:

1. Designed to support application, such as SOHO (ADSL modems), LAN-on-Motherboard (LOM), hub and Switches.
2. Meets IEEE 802.3 specification
3. Connector Materials:
Housing: Thermoplastic UL94V-0
Contact/Shield: Copper alloy
Shield plating: Nickel
Contact plating: Gold 6 micro-inches min. In contact area.
4. Wave solder tip temperature: 265°C Max
Wave solder tip temperature time: 5 Sec Max

X:X ±0.30	APPD:	LINK-PP INT'L TECHNOLOGY CO., LIMITED		
X:XX ±0.20	CHKD:			
X:XXX ±0.05	DR: TOM	TITLE: RJ45 Connector with 1000 Base-T Integrated Magnetics		
ANGLES ±1°	UNIT: mm	PART NO.: LPJG0801GHNL		
	SCALE: 2/1	SHEET: 2/2	REV: A	DWG NO.: LP09121706