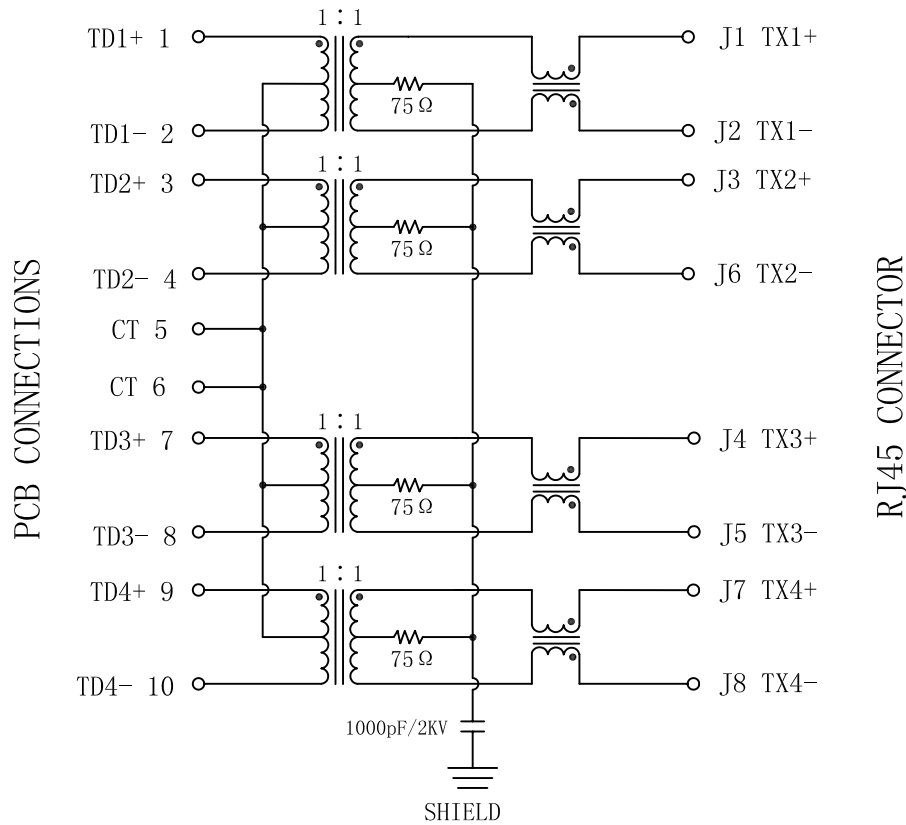


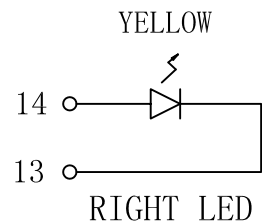
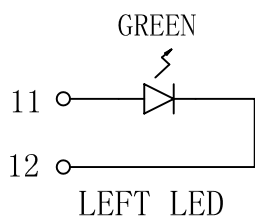
# Schematic:

REV.	ECN NO.	DESCRIPTION	DATE	APPD
A	REL		2010/09/18	



## Electrical Specifications @ 25°C

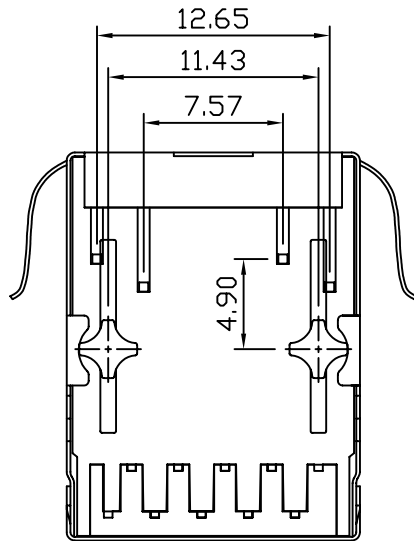
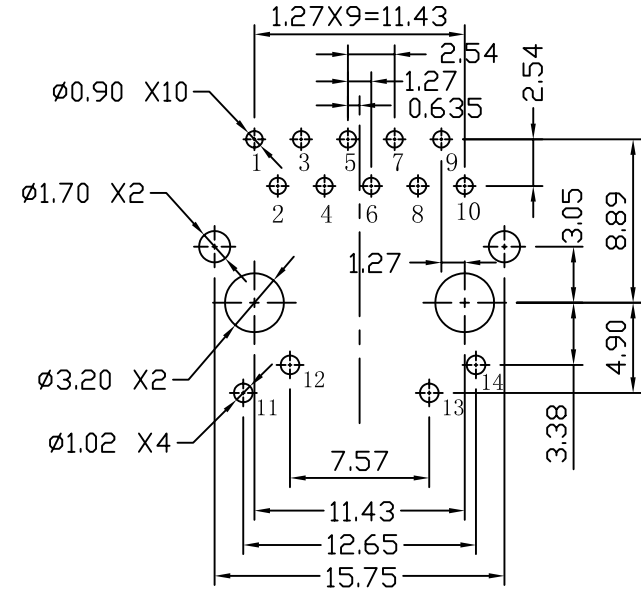
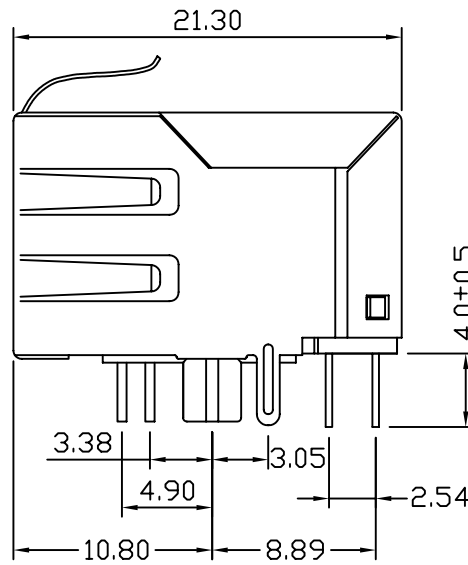
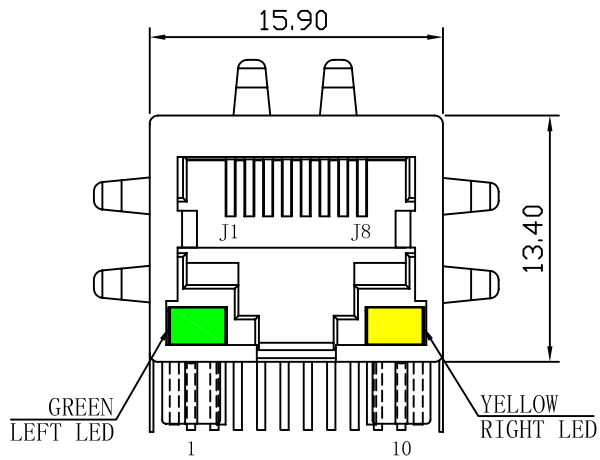
- Turns Ratio ( $\pm 2\%$ ): 1CT:1CT
- INDUCTANCE (@100KHz, 100mV, 8mA DC BIAS):  
J1-J2; J3-J6; J4-J5; J7-J8: 350uH Min
- Insertion Loss:  
1~100MHz: -1.0dB Max
- Return Loss (dB Min. load 100  $\Omega$ ):  
1~30MHz: -18      30~60MHz: -16  
60~80MHz: -12      80~100MHz: -10
- Crosstalk (dB Min):  
1~30MHz: -40      30~60MHz: -35  
60~100MHz: -30
- Common Mode Rejection (dB Min):  
1~50MHz: -40      50~150MHz: -30
- Isolation Voltage: 1500Vrms
- Operating Temperature Range: 0°C ~ 70°C.



X:X	$\pm 0.30$	APPD:	LINK-PP INT'L TECHNOLOGY CO., LIMITED	
X:XX	$\pm 0.20$	CHKD:	TITLE: RJ45 Connector with 1000 Base-T Integrated Magnetics	
X:XXX	$\pm 0.05$	DR: TOM	PART NO.: LPJG0801ABNL	
ANGLES	$\pm 1^\circ$	UNIT: mm		
	SCALE: 2/1	SHEET: 1/2	REV: A	DWG NO.: LP10091802

# Mechanical:

REV.	ECN NO.	DESCRIPTION	DATE	APPD
A	REL		2010/09/18	



## NOTES:

1. Designed to support application, such as SOHO (ADSL modems), LAN-on-Motherboard (LOM), hub and Switches.
2. Meets IEEE 802.3 specification
3. Connector Materials:  
 Housing: Thermoplastic UL94V-0  
 Contact/Shield: Copper alloy  
 Shield plating: Nickel  
 Contact plating: Gold 6 micro-inches min. In contact area.
4. Wave solder tip temperature: 265°C Max  
 Wave solder tip temperature time: 5 Sec Max



X:X	±0.30	APPD:	LINK-PP INT'L TECHNOLOGY CO., LIMITED	
X:XX	±0.20	CHKD:	TITLE: RJ45 Connector with 1000 Base-T Integrated Magnetics	
X:XXX	±0.05	DR: TOM	PART NO.: LPJG0801ABNL	
ANGLES	±1°	UNIT: mm	DWG NO.: LP10091802	
	SCALE: 2/1	SHEET: 2/2	REV: A	