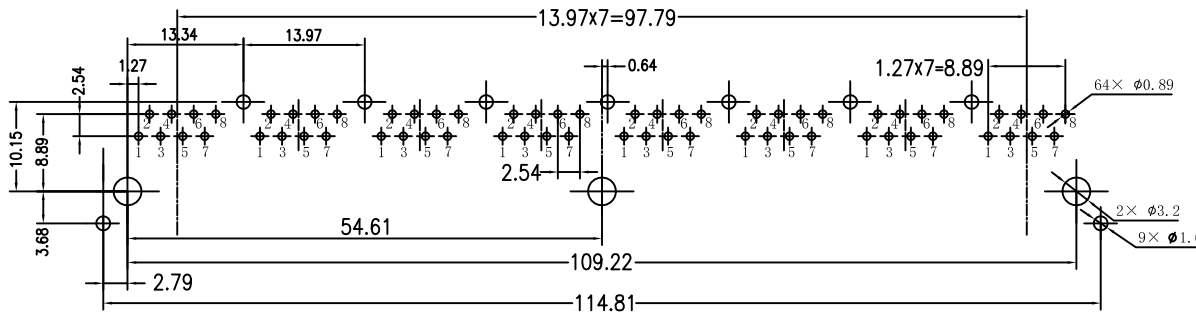
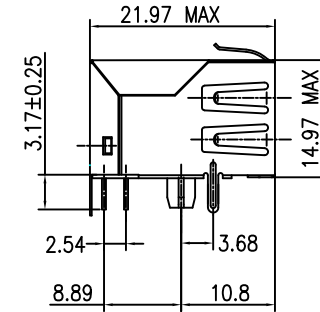
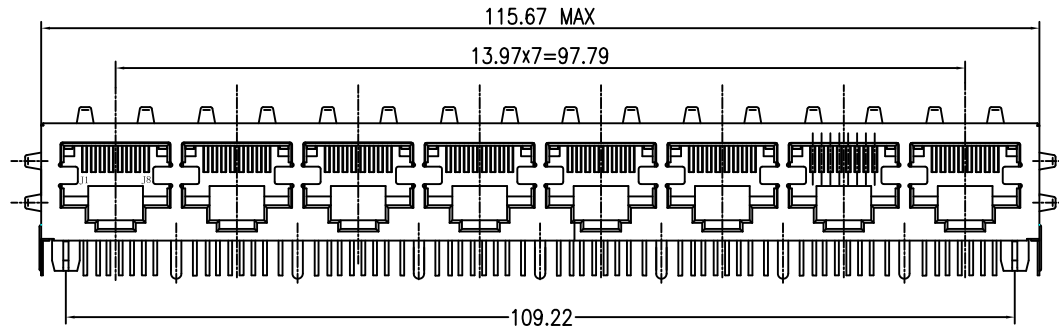




# Mechanical:

REV.	ECN NO.	DESCRIPTION	DATE	APPD
A	REL		2010/08/12	



SUGGESTED PCB LAYOUT (TOP VIEW)

## NOTES:

1. Designed to support application, such as SOHO (ADSL modems), LAN-on-Motherboard (LOM), hub and Switches.
2. Meets IEEE 802.3 specification
3. Connector Materials:  
Housing: Thermoplastic UL94V-0  
Contact/Shield: Copper alloy  
Shield plating: Nickel  
Contact plating: Gold 6 micro-inches min. In contact area.
4. Pins Without Electrical Connections Are Omitted
5. Wave solder tip temperature: 265°C Max, 5 Sec Max.
6. UL Certification: File Number E484635.



X:X	APPD:	LINK-PP INT'L TECHNOLOGY CO., LIMITED		
X:XX ±0.25	CHKD:	TITLE: RJ45 COMMON MODE CHOKE & 1×8 PORT		
X:XXX	DR: SEA	PART NO. : LPJF86274CNL		
ANGLES ±1°	UNIT: mm			
	SCALE: 2/1	SHEET: 2/2	REV: A	DWG: LP10081201