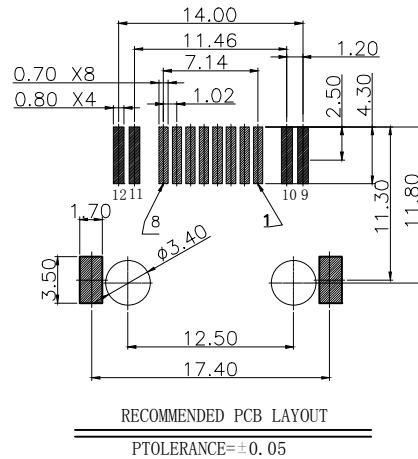
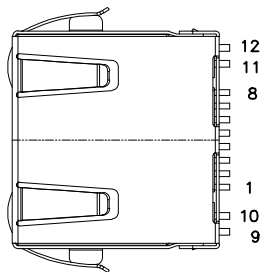
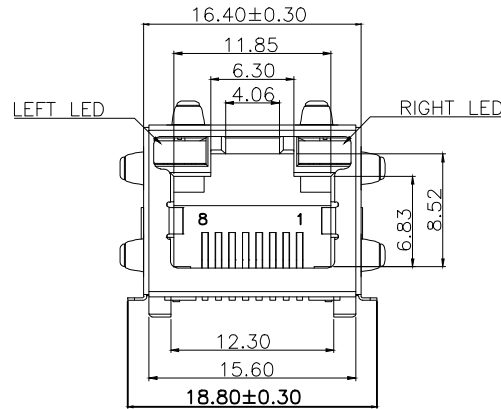
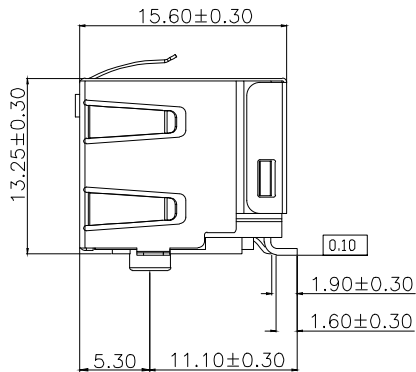
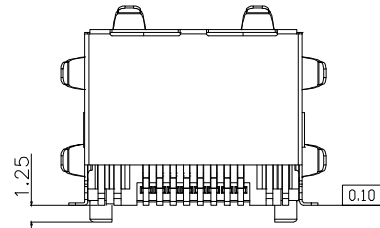
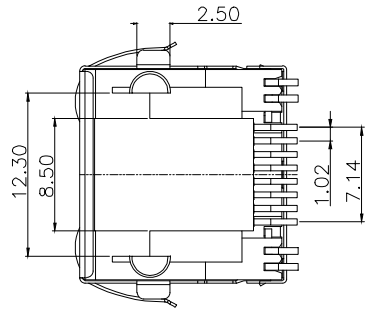


# Mechanical:

REV.	ECN NO.	DESCRIPTION	DATE	APPD
A	REL		2018/03/19	



## SPECIFICATION NOTES:

### ELECTRICAL:

- VOLTAGE RATING: 125 VAC RMS
- CURRENT RATING: 1.5 AMP
- CONTACT RESISTANCE: 20mΩ MAX.
- INSULATION RESISTANCE: 1000MΩ MIN. AT500V DC.
- DIELECTRIC STRENGTH: 1000 V AC OR 1500V DC RMS AT 0.5mA 50 Hz / 60 Hz FOR 1MINUTE

### MECHANICAL:

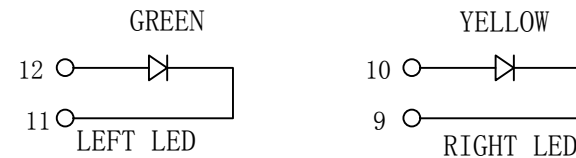
- HOUSING:LCP BLACK, UL 94V-0
- CONTACT:PHOSPHOR BRONZE T=0.30MM
- PLATING: F' u GOLD PLATING AT CONTACT AREA, MATTE TIN AT TAIL 100U MIN., NICKEL 30U MIN. OVER ALL.
- SHELL:BRASS T=0.20
- OPERATING LIFE:750 CYCLES MIN.
- MATING/UNMATING FORCE: 30N/3.06KGf MAX.
- RETENTION STRENGTH:50N OR 30N MIN. FOR 60S±5S

### ENVIRONMENTAL:

- STORAGE:-40° C TO +85° C RELATIVE HUMIDITY<80%
- GUARANTEE PERIOD:12 MONTHS
- OPERATION: -40° C TO +85° C
- MANUAL SOLDERING PARAMETERS:24H IR TEMPERATURE: 255±5° C 5"10 SECONDS.

LPJES101-XAHNL

Gold Plating	"X"
Gold Flash	0 <input checked="" type="checkbox"/>
1.5u"	1 <input type="checkbox"/>
3u"	2 <input type="checkbox"/>
6u"	3 <input type="checkbox"/>
15u"	4 <input type="checkbox"/>
30u"	5 <input type="checkbox"/>
50u"	6 <input type="checkbox"/>



LED Color	λ P(nm)	VF @IF=20mA	IR @VR=5V
GREEN	565	1.8~2.4 V	10 uA max
YELLOW	585	1.8~2.4 V	10 uA max

X:X ±0.25	APPD: TOM	LINK-PP INT'L TECHNOLOGY CO., LIMITED
X:XX ±0.20	CHKD: JAMES	
X:XXX ±0.05	DR: LEO	TITLE: RJ45 1×1 CONNECTOR
ANGLES ±1°	UNIT: mm	PART NO.: LPJES101-0AHNL
	SCALE: 2/1	SHEET: 1/1
	REV: A	DWG NO.: LP18031923