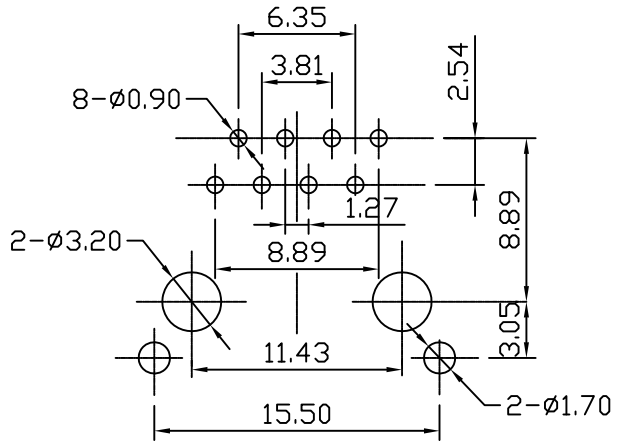
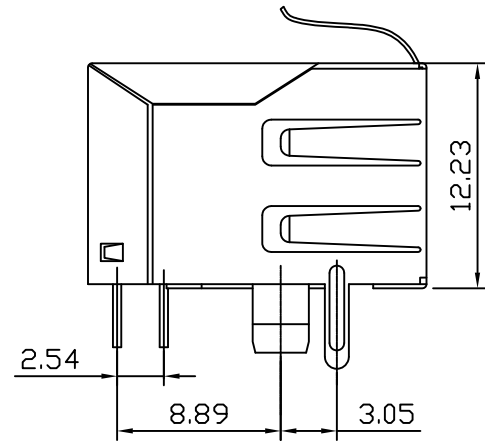
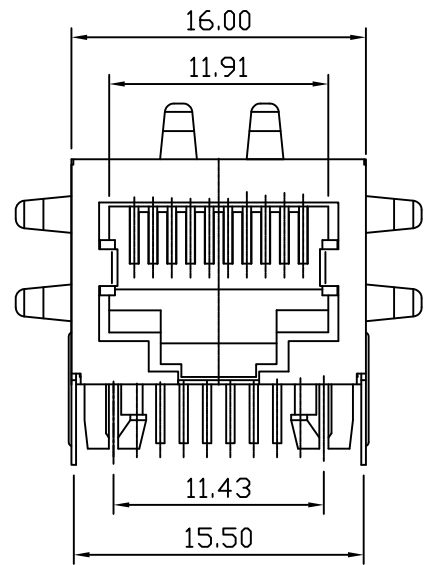
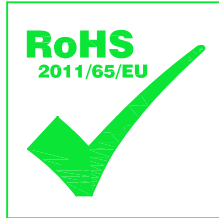
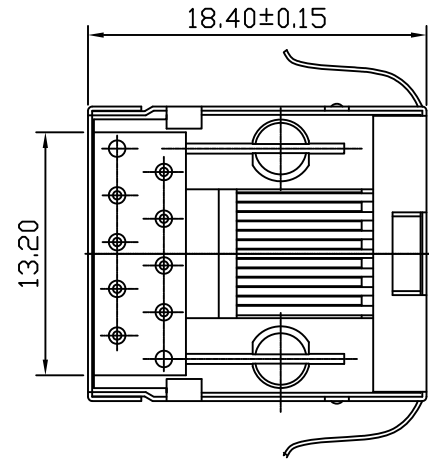


# Mechanical:

REV.	ECN NO.	DESCRIPTION	DATE	APPD
A	REL		10/05/2009	



PC Board Layout (Top View)



### NOTES:

#### Electrical:

- 1. Voltage rating : 125 VAC RMS
- 2. Current Rating : 1.5 AMP
- 3. Contact resistance : 50 mΩ Max
- 4. Insulation resistance : 500 MΩ Min @500V DC
- 5. Dielectric strength : 1000 VAC RMS 60Hz, 1MIN.

#### MECHANICAL:

- 1. Housing & Insert Material : PBT UL94V-0.
- 2. Contact Material : Diameter 0.46mm Phosphor Bronze  
Gold Plating Over Nickel.  
Contact plating : Gold 30 micro-inches min.  
In contact area
- 3. Shield : 0.20-0.25mm Thickness Brass With  
Tin Plated
- 4. Operating Life : 750 Cycles Min.

#### ENVIRONMENTAL:

- 1. Storage : -40°C ~ +85°C.
- 2. Operation : -40°C ~ +85°C.
- 3. Wave solder temperature : 265°C MAX, 5 Sec.
- 4. UL Certification : File Number E484635.

### LPJEF180-XCNL

Gold Plating	"X"
Gold Flash	0 <input type="checkbox"/>
1.5u"	1 <input type="checkbox"/>
3u"	2 <input type="checkbox"/>
6u"	3 <input type="checkbox"/>
15u"	4 <input type="checkbox"/>
30u"	5 <input checked="" type="checkbox"/>
50u"	6 <input type="checkbox"/>

X:X ±0.30	APPD:	LINK-PP INT'L TECHNOLOGY CO., LIMITED
X:XX ±0.25	CHKD:	
X:XXX ±0.05	DR: TOM	TITLE: RJ45 1×1 CONNECTOR
ANGLES ±1°	UNIT: mm	PART NO.: LPJEF180-5CNL
	SCALE: 2/1	SHEET: 1/1
	REV: A	DWG NO.: LP09051015