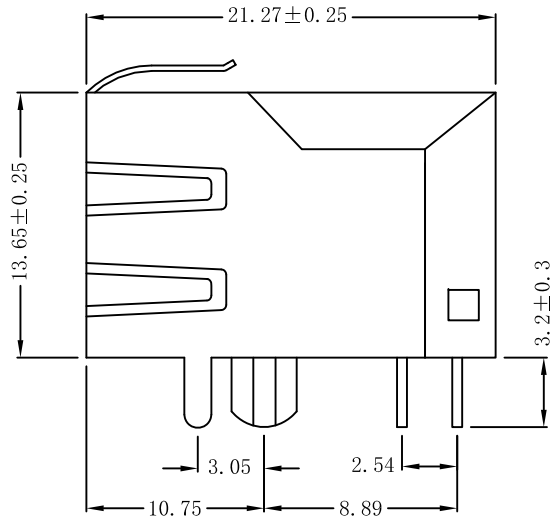
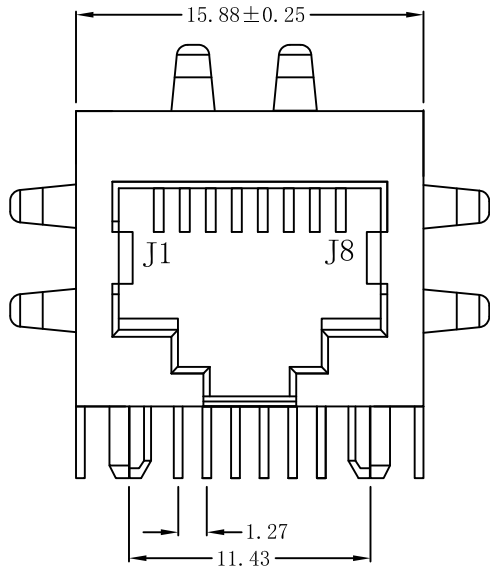


Mechanical:

REV.	ECN NO.	DESCRIPTION	DATE	APPD
A	REL		31/10/2008	



NOTES:

Electrical:

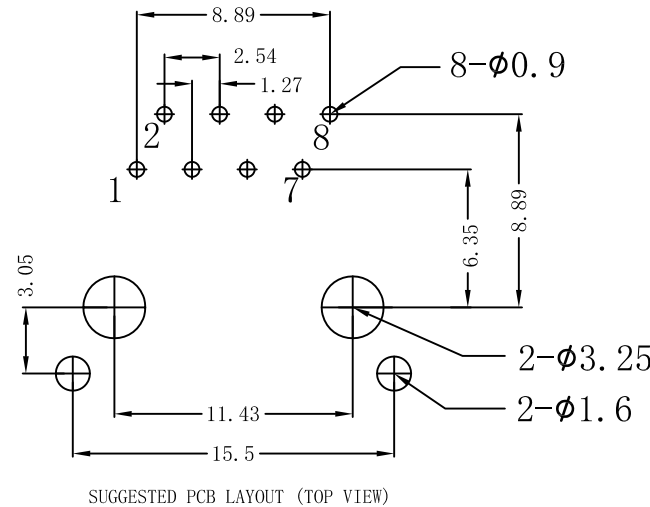
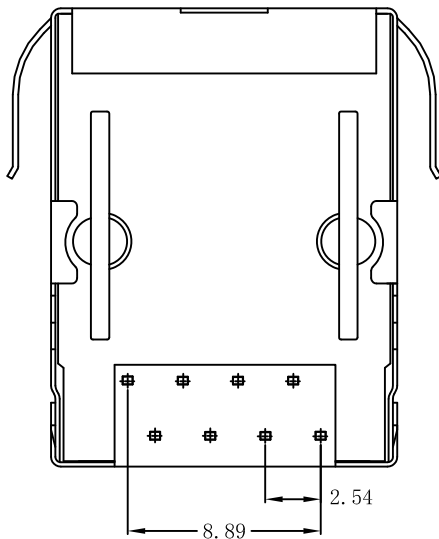
- 1. Voltage rating : 125 VAC RMS
- 2. Current Rating : 1.5 AMP
- 3. Contact resistance : 50 mΩ Max
- 4. Insulation resistance : 500 MΩ Min @500V DC
- 5. Dielectric strength : 1500Vrms at 50Hz to 60Hz for 60S.

MECHANICAL:

- 1. Housing & Insert Material : PBT UL94V-0.
- 2. Contact Material : Diameter 0.46mm Phosphor Bronze Gold Plating Over Nickel.
- 3. Shield : 0.20-0.25mm Thickness Brass With tin Plated
- 4. Operating Life : 750 Cycles Min.

ENVIRONMENTAL:

- 1. Storage : -40°C ~ +85°C
- 2. Operation : -40°C ~ +85°C.
- 3. Wave solder temperature : 265°C 5 Sec MAX
- 4. UL Certification : File Number E321120.



LPJEF111XCNL

Gold Plating	"X"
Gold Flash	0
1.5u"	1
3u"	2
6u"	3
15u"	4
30u"	5
50u"	6



X:X	±0.30	APPD:	LINK-PP INT'L TECHNOLOGY CO., LIMITED
X:XX	±0.25	CHKD:	TITLE: RJ45 1×1 Connector
X:XXX	±0.05	DR: TOM	PART NO.: LPJEF111XCNL
ANGLES	±1°	UNIT: mm	
	SCALE: 2/1	SHEET: 1/1	REV: A DWG NO.: LP08103110