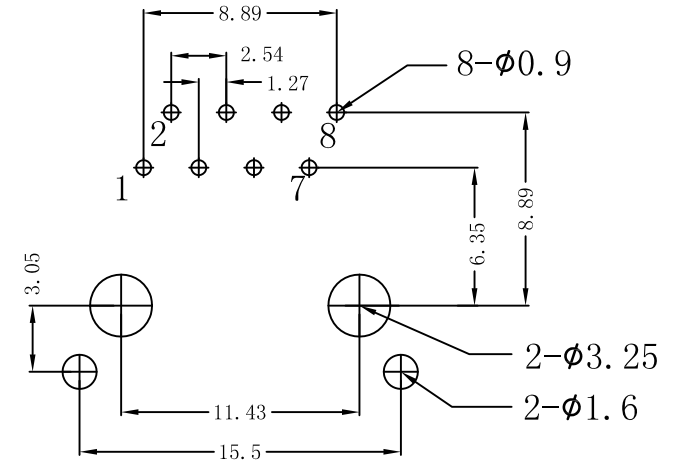
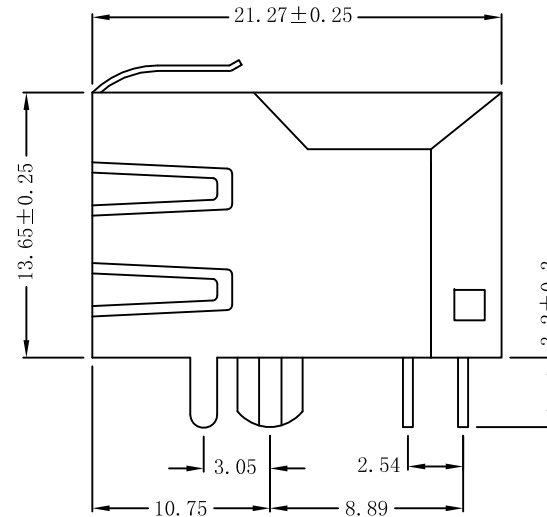
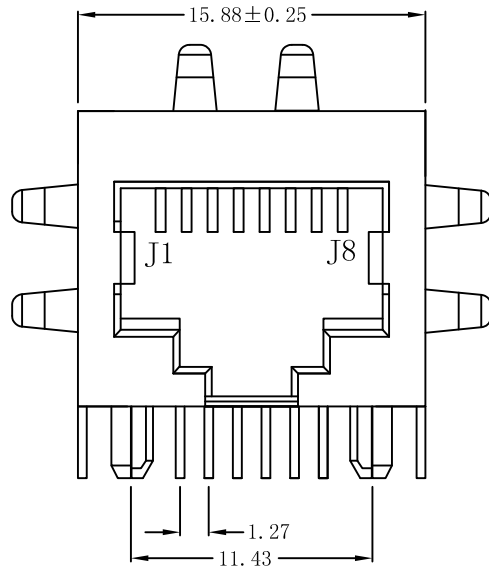
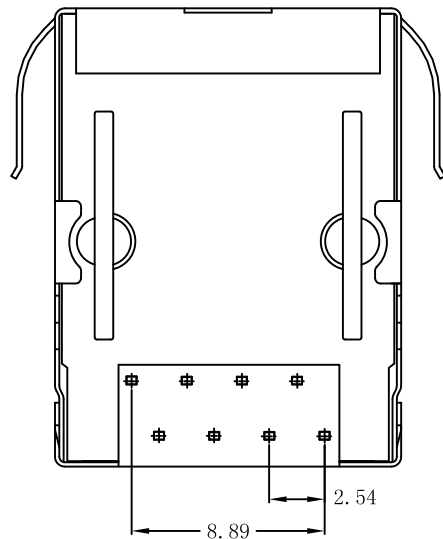


Mechanical:

REV.	ECN NO.	DESCRIPTION	DATE	APPD
A	REL		31/10/2008	



SUGGESTED PCB LAYOUT (TOP VIEW)



LPJEF111XCNL

Gold Plating	"X"
Gold Flash	0
1.5u"	1
3u"	2
6u"	3
15u"	4
30u"	5
50u"	6

PCB JACK Specification:

- Insulation Resistance:
500M Ω Min@500VDC.
- Withstanding Voltage:
1000VAC RMS 50Hz or 60Hz 1Min.
- Durability:600 Mating Circles Min.



X:X	±0.30	APPD:	LINK-PP INT'L TECHNOLOGY CO., LIMITED	
X:XX	±0.25	CHKD:	TITLE: RJ45 1x1 Connector	
X:XXX	±0.05	DR: TOM	PART NO.: LPJEF1110CNL	
ANGLES	±1°	UNIT: mm	REV: A DWG NO.: LP08103110	
	SCALE: 2/1	SHEET: 1/1	REV: A	DWG NO.: LP08103110