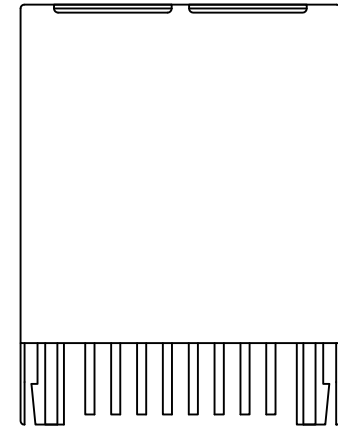
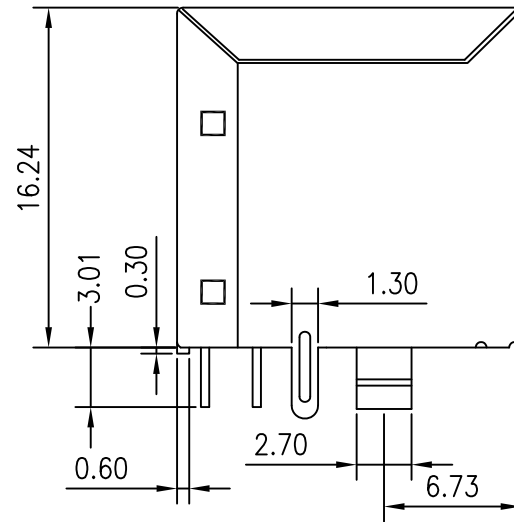
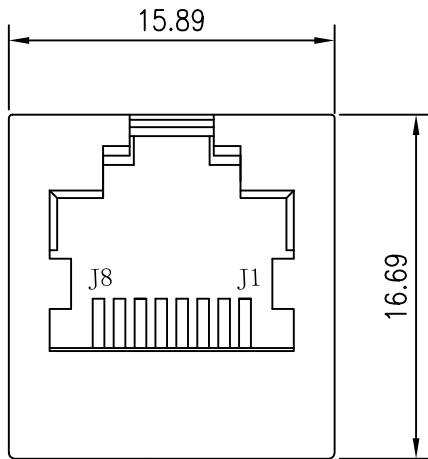


Mechanical:

REV.	ECN NO.	DESCRIPTION	DATE	APPD
A	REL		22/01/2010	



NOTES: Meets mechanical requirements of IEC 60603-7.

Electrical:

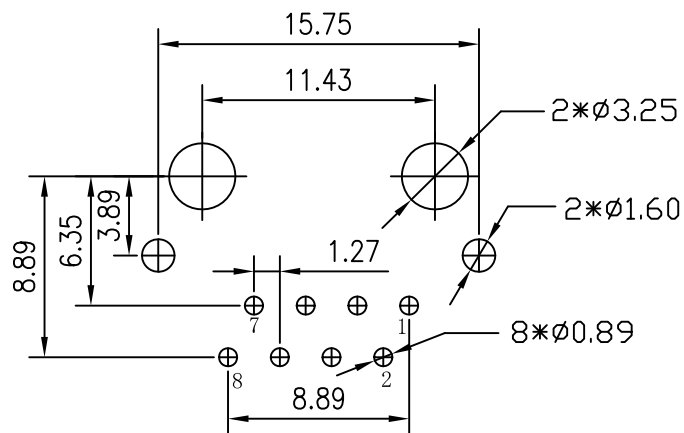
- 1. Voltage rating : 125 VAC RMS
- 2. Current Rating : 1.5 AMP
- 3. Contact resistance : 50 mΩ Max
- 4. Insulation resistance : 500 MΩ Min @500V DC
- 5. Dielectric strength : 1000 VAC RMS 60Hz, 1MIN.

MECHANICAL:

- 1. Housing & Insert Material : PBT UL94V-0.
- 2. Contact Material : Diameter 0.46mm Phosphor Bronze
Gold Plating Over Nickel.
- 3. Shield : 0.20-0.25mm Thickness Brass With tin Plated
- 4. Operating Life : 750 Cycles Min.

ENVIRONMENTAL:

- 1. Storage : -40°C ~ +85°C
- 2. Operation : -40°C ~ +85°C.
- 3. Wave solder temperature : 265°C 5 Sec MAX



SUGGESTED PCB LAYOUT (TOP VIEW)



X:X	±0.30	APPD:	LINK-PP INT'L TECHNOLOGY CO., LIMITED
X:XX	±0.25	CHKD:	
X:XXX	±0.05	DR: TOM	TITLE: Rj45 Vertical,8P8C Shielded N/LED
ANGLES	±1°	UNIT: Inches/mm	PART NO. : LPJE681-0DNL
	SCALE: 2/1	SHEET: 1/1	REV: A DWG NO. : LP10012204