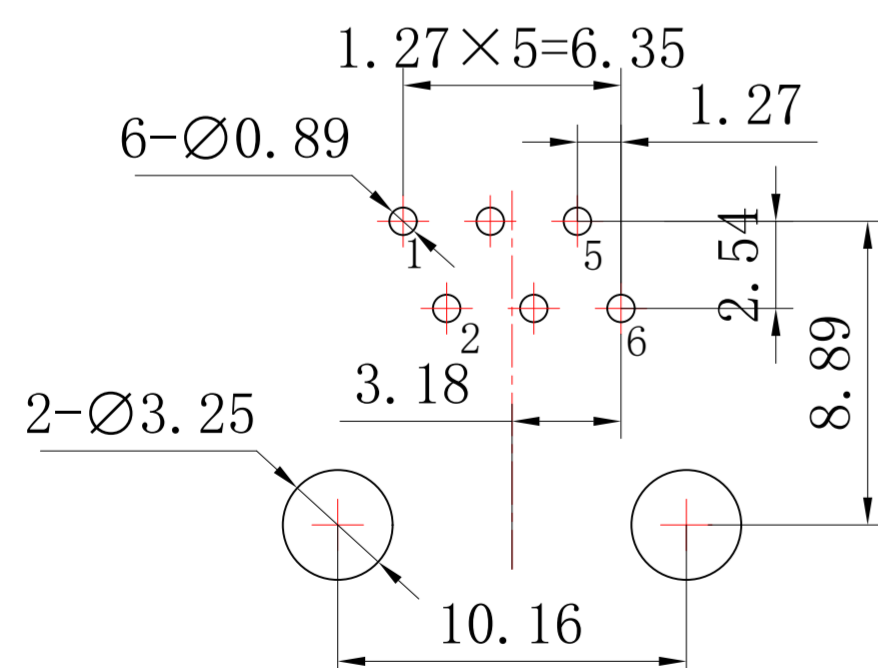
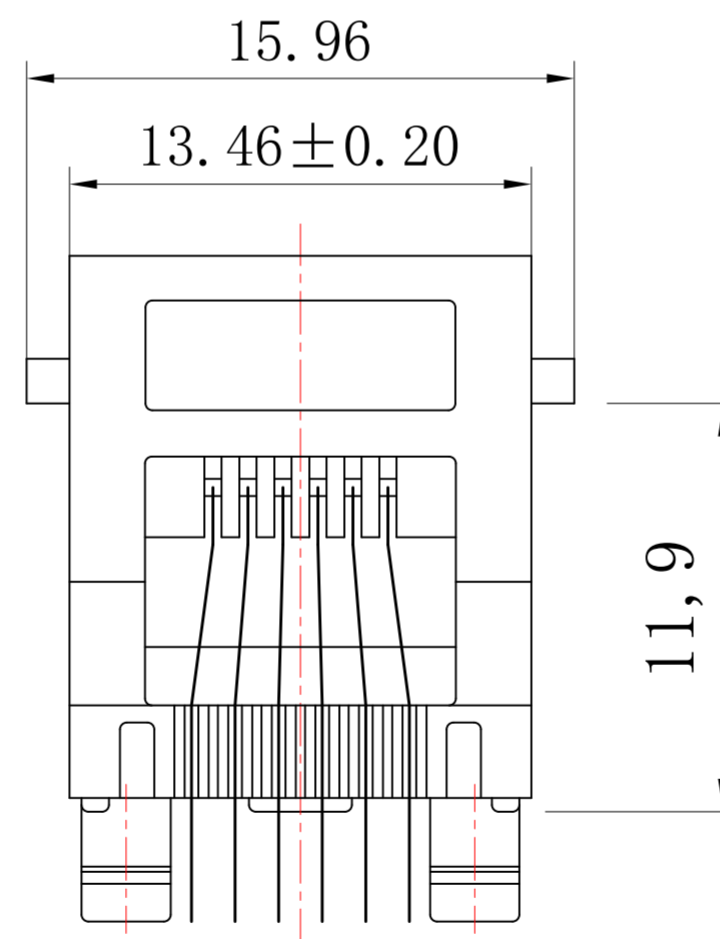
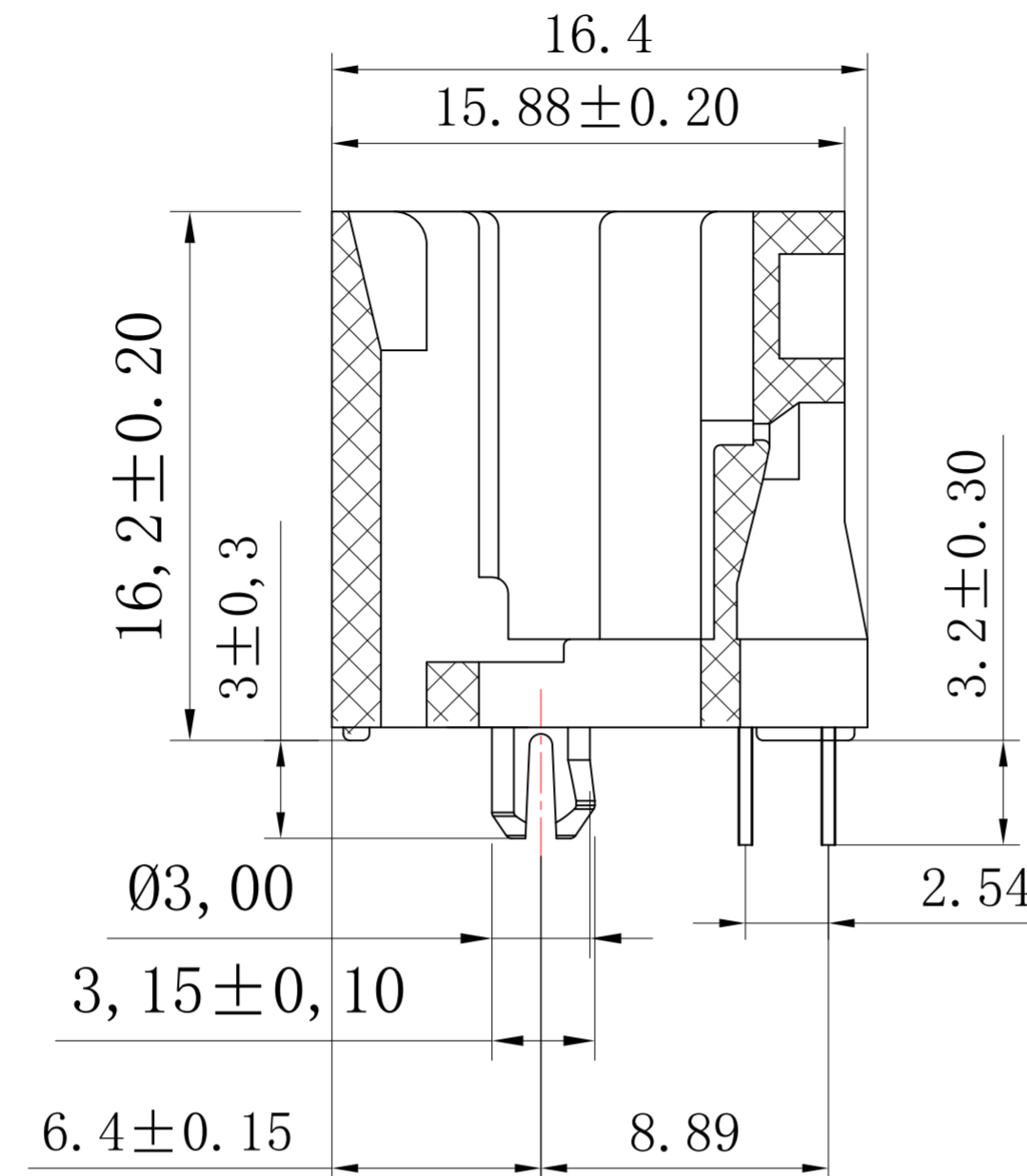
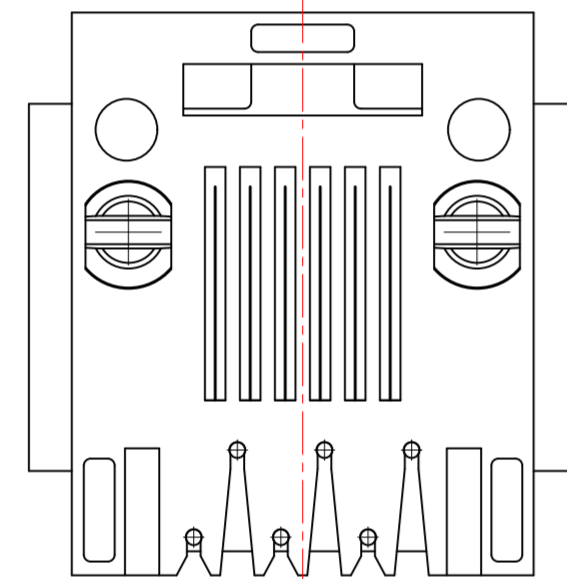
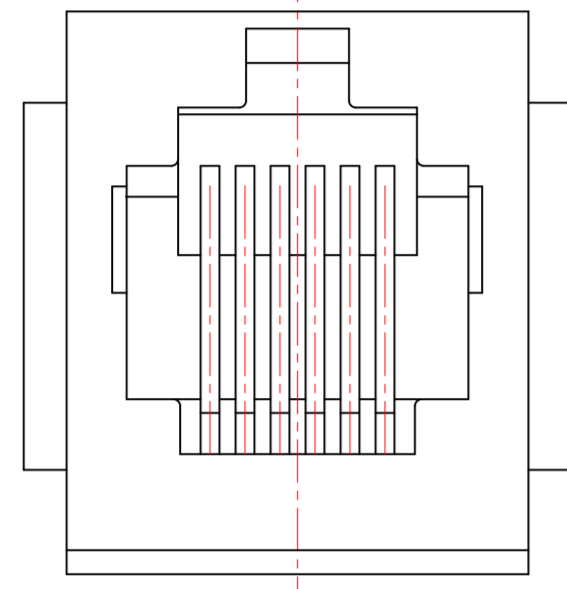


# Mechanical:

REV.	ECN NO.	DESCRIPTION	DATE	APPD
A	REL		2015-4-16	



PCB LAYOUT

## NOTES:

### Electrical:

- 1. Voltage rating : 125 VAC RMS
- 2. Current Rating : 1.5 AMP
- 3. Contact resistance : 50 mΩ Max
- 4. Insulation resistance : 500 MΩ Min @500V DC
- 5. Dielectric strength : 1500 VAC RMS 60Hz, 1MIN.

### MECHANICAL:

- 1. Housing & Insert Material : PBT UL94V-0.
- 2. Contact Material : Diameter 0.46mm Phosphor Bronze  
Gold Plating Over Nickel.
- 3. Operating Life : 750 Cycles Min.

### ENVIRONMENTAL:

- 1. Storage : -40°C ~ +85°C
- 2. Operation : -40°C ~ +85°C.
- 3. Wave solder temperature : 250°C, 5 Sec.
- 4. UL Certification : File Number E484635.

LPJE616-XNNL

Gold Plating	"X"
Gold Flash	0 <input checked="" type="checkbox"/>
1.5u"	1 <input type="checkbox"/>
3u"	2 <input type="checkbox"/>
6u"	3 <input type="checkbox"/>
15u"	4 <input type="checkbox"/>
30u"	5 <input type="checkbox"/>
50u"	6 <input type="checkbox"/>

X:X	±0.30	APPD:	TOM	LINK-PP INT'L TECHNOLOGY CO., LIMITED
X:XX	±0.25	CHKD:	JAMES	
X:XXX	±0.05	DR:	LEO	TITLE: RJ12 1*1 Connector
ANGLES	±1°	UNIT:	mm	PART NO.: LPJE616-ONNL
	SCALE:	2/1	SHEET:	1/1
		REV:	A	DWG NO.: LP10012222

